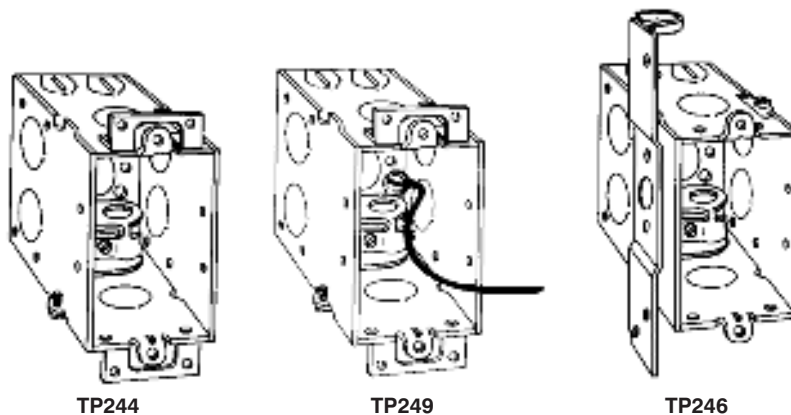


# CP Steel Switch Boxes

CP Steel Boxes

## 3½" DEEP SWITCH BOXES – GANGABLE – 18.0 CUBIC INCH CAPACITY 2" WIDE × 3" LONG FOR ARMORED & METAL CLAD (MCI) CABLE – CLAMPS IN EACH END



TP244

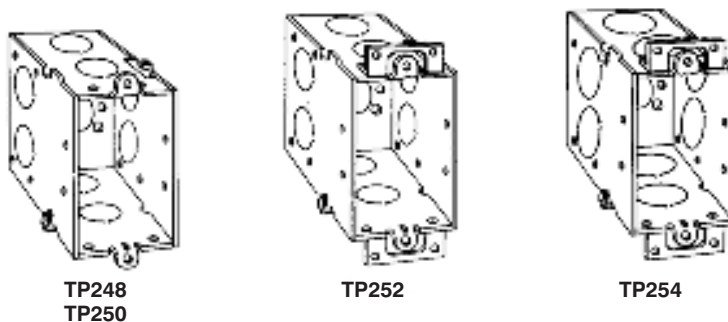
TP249

TP246

### KNOCKOUTS

Product Number	Bracket	Ground Pigtail	Ears	Each End	Each Side	Bottom	Std. Unit Pkg.	Wt. Lbs Per 100
TP244	—	—	Yes	2-Cable, 1-½"	2-½"	1-½"	25	81
TP249	—	Yes	Yes	2-Cable, 1-½"	2-½"	1-½"	25	82
TP246	"S", Set 7/8"	—	—	2-Cable, 1-½"	2-½"	1-½"	25	88

## FOR CONDUIT – NO CLAMPS



TP248  
TP250

TP252

TP254

### KNOCKOUTS

Product Number	Bracket	Ears	Each End	Each Side	Bottom	Std. Unit Pkg.	Wt. Lbs Per 100
TP248	—	—	2-½"	2-½"	1-½"	25	74
TP250	—	—	2-¾"	2-¾"	1-½"	25	74
TP252	—	Yes	2-½"	2-½"	1-½"	25	76
TP254	—	Yes	2-¾"	2-¾"	1-½"	25	76