



Application:

UNF/UNY expansion unions are designed to be used in all threaded rigid metal† conduit systems indoors and outdoors, in hazardous locations to:

- connect conduit to conduit
- connect conduit to a junction box or device enclosure
- compensate for conduit cut too short
- allow for expansion and contraction of conduit
- connect stub-ups to threaded conduit
- replace sections of conduit runs

Features:

- Compact design
- Internal beryllium copper grounding spring to insure positive grounding continuity.
- Knurled surface on body and sleeve allows secure gripping with wrench.
- Steel construction for maximum strength.
- Available in two styles – short length where space is limited, long length when extra expansion is required.

Standard Materials:

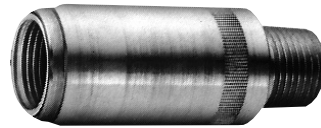
- Body and sleeve – steel
- Grounding spring – beryllium copper

Standard Finishes:

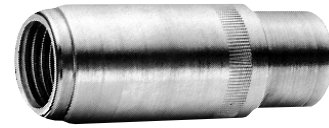
- Steel – electrogalvanized with chromate finish
- Beryllium copper – natural

Certifications and Comiances:

- NEC/CEC:
 - Class I, Division 1 & 2, Groups C,D
 - Class II, Division 1, Groups E,F,G
 - Class II, Division 2, Groups F,G
 - Class III
- UL Standard: 886
- CSA Standard: C22.2 No. 30



UNYL



UNFL



UNYL with sleeve extended



UNFL with sleeve extended

**UNY
Male – Short**

Conduit Size	Cat. #
1/2	UNY17
3/4	UNY27
1	UNY37

**UNF
Female – Short**

Conduit Size	Cat. #
1/2	UNF17
3/4	UNF27
1	UNF37

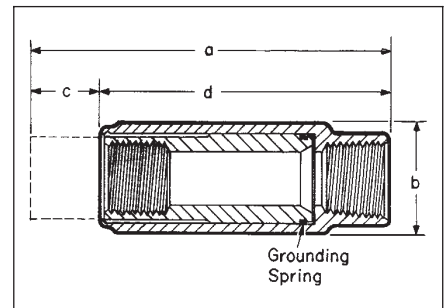
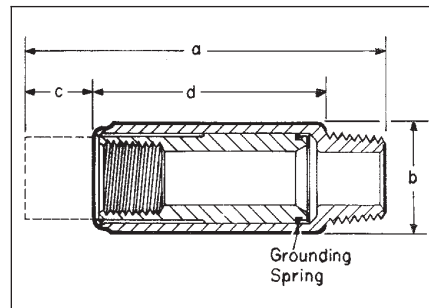
**UNYL
Male – Long**

Conduit Size	Cat. #
1/2	UNYL17
3/4	UNYL27
1	UNYL37

**UNFL
Female – Long**

Conduit Size	Cat. #
1/2	UNFL17
3/4	UNFL27
1	UNFL37

Dimensions



Size	Dimension			
	a*	b	c**	d
UNY				
1/2	3 5/16	1 3/16	1/2	2 1/16
3/4	3 3/8	1 7/16	1/2	2 1/8
1	3 13/16	1 11/16	5/8	2 1/4
UNYL				
1/2	4 5/16	1 3/16	1	2 9/16
3/4	4 1/2	1 7/16	1 1/16	2 11/16
1	5 3/16	1 11/16	1 5/16	2 15/16

Size	Dimension			
	a*	b	c**	d
UNF				
1/2	3 3/8	1 3/16	1/2	2 7/8
3/4	3 7/16	1 7/16	1/2	2 5/16
1	3 13/16	1 11/16	5/8	3 3/16
UNFL				
1/2	4 3/8	1 3/16	1	3 3/8
3/4	4 9/16	1 7/16	1 1/16	3 1/2
1	5 1/8	1 11/16	1 5/16	3 13/16

† Suitable with intermediate Metal Conduit in non-hazardous locations
* Overall length at maximum expansion
** Maximum expansion