

3A ETH Horn Signals

Factory Sealed

Cl. I, Div. 1 & 2, Groups B†,C,D
 Cl. II, Div. 1, Groups E,F,G
 Cl. II, Div. 2, Groups F,G
 Cl. III
 NEMA 7B†CD,9EFG

Explosionproof
 Dust-Ignitionproof
 Raintight
 Wet Locations

Application:

ETH horn signals are used:

- for call signals, alarms, and various other signalling applications
- in specific hazardous atmospheres as found in chemical plants, oil and gas refineries, bulk loading stations, paint and varnish manufacturing plants, grain processing industries and grain elevators, as well as in certain metal, coal, combustible fiber processing or handling areas
- in conduit systems and mounted on a flat surface with the projectors aimed in the desired direction

Features:

- No external conduit seal is required.
- The ac signals do not have arcing contacts.
- The dc horns have factory sealed wire leads in the interconnecting nipple and hub.
- The body cover joint of ac horn signals is of serrated construction, machined to close tolerance to ensure flametightness and secured by a clamping ring. The DC unit has a ground joint design.

Standard Materials:

- Copper-free aluminum

Standard Finishes:

- Natural

Size Ranges:

- Hub – 1/2" or 3/4" size

Sound Levels:

- See page 557 for individual ratings

Electrical Rating Ranges:

- Nominal voltage –
 24, 115, 230 VAC
 24 VDC

See Table 1 for more complete ratings

Table 1/Operating Current in Amperes at the Nominal Voltage for Horn and Siren Signals

Horn Signal

Nom. Volts	Amperes		DC ETH2416
	Single Projector	Grill Type	
		50 to 60 hertz AC	
	50 to 60 hertz AC ETH2702, ETH2703	ETH2313, ETH2316, ETH2312	
24	—	0.625	0.16
115	.45	0.13	
230	.2	0.065	

†Grill type horns are certified for Group B.

Certifications and Compliances:

- NEC: Class I, Division 1 & 2, Groups B† C,D
 Class II, Division 1, Groups E,F,G
 Class II, Division 2, Groups F,G
 Class III
- UL Standard: 464, 1203
- CSA Standard: C22.2 No. 30



ETH grill type horn signal

Ordering Information

Single Projector Horn Signal

Supply	Nom. Volts ♦	Nom. Watts	Minimum audibility rating (dB) at 10':	Hub Size	Cat. #
50 to 60 hertz AC	115	33	105 dB	1/2	ETH2703
	230	33	105 dB	1/2	ETH2702

Grill Type Horn Signals

Supply	Nom. Volts ♦	Nom. Watts	Minimum audibility rating (dB) at 10':	Hub Size	Cat. #
50 to 60 hertz AC	24	49	100 dB	3/4	ETH2316
	115		100 dB	3/4	ETH2313
	230		100 dB	3/4	ETH2312
DC	24	30	100 dB	3/4	ETH2416

♦ See Table 1, page 566, for more complete ratings.

ETH Horn Signals

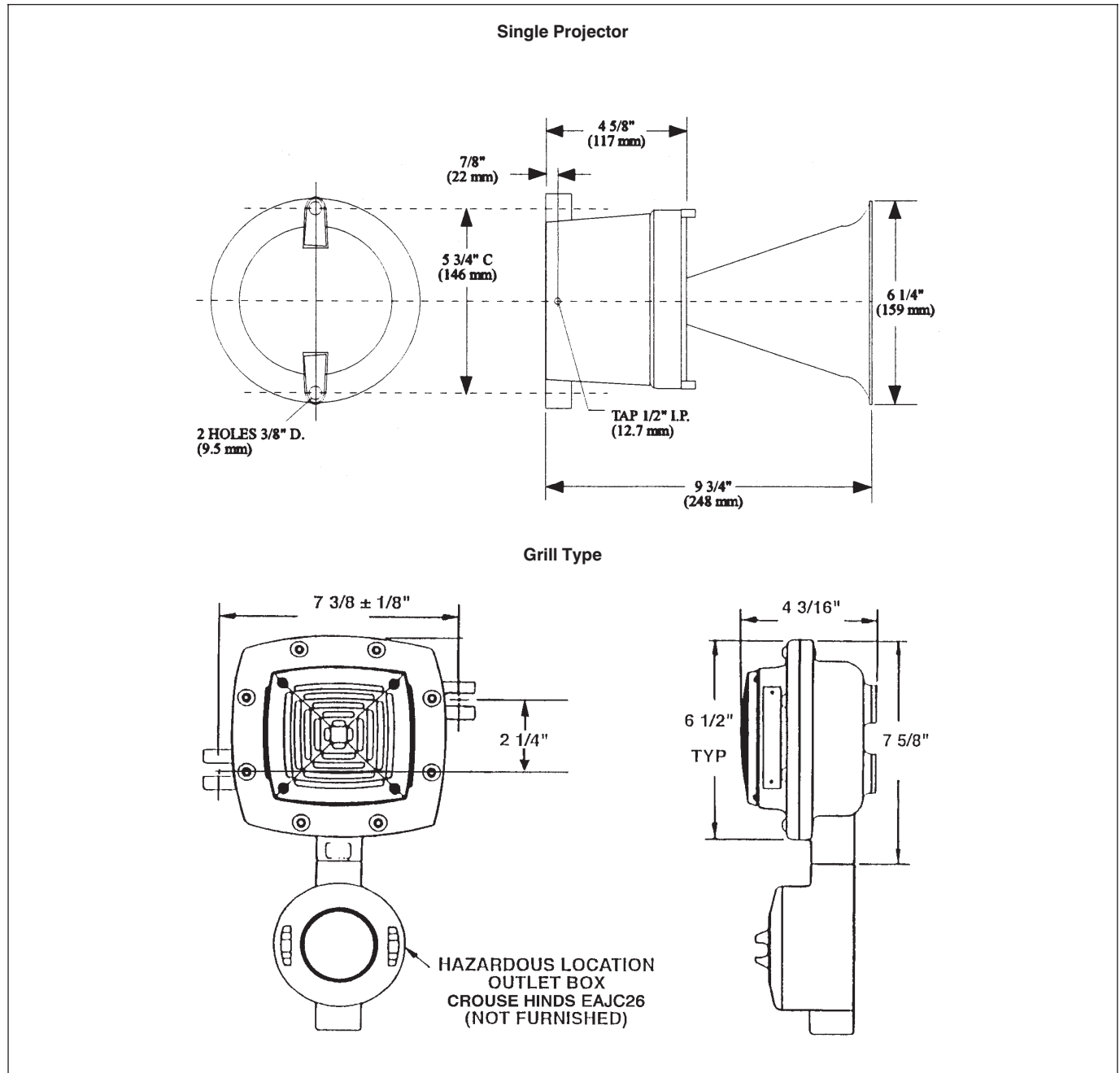
Factory Sealed

Cl. I, Div. 1 & 2, Groups B,†C,D Explosionproof
Cl. II, Div. 1, Groups E,F,G Dust-Ignitionproof
Cl. II, Div. 2, Groups F,G Raintight
Cl. III Wet Locations

3A

Dimensions* (inches)

* Dimensions are approximate, not for construction purposes.



3A Signals & Alarms

† Grill type horns are certified for Group B.