

## GNA3 Series

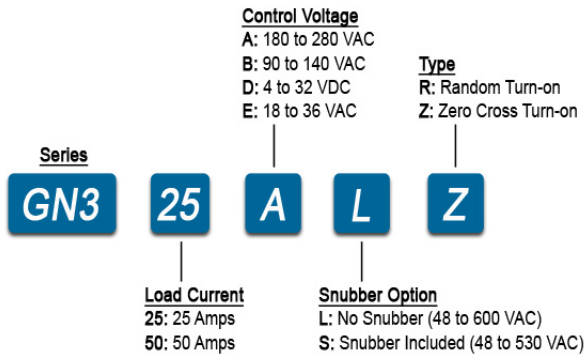


- Current ratings of 25 and 50 amps
- Output voltage 48-600 VAC
- Direct bond copper substrate
- LED input status indicator
- IP20 “touch-safe” cover
- Transient protection built-in
- 100K-Cycle UL508 endurance rating for enhanced reliability
- UL/CSA/TUV Approved, CE Compliant to EN60950-1

### PRODUCT SELECTION

Control Voltage	25A	50A
4-32 VDC	GN325DLZ	GN350DLZ
18-36 VAC	GN325ELZ	GN350ELZ
90-140 VAC	GN325BLZ	GN350BLZ
180-280 VAC	GN325ALZ	GN350ALZ

### AVAILABLE OPTIONS



### OUTPUT SPECIFICATIONS (1)

Description	25A	50A
Operating Voltage (47-440Hz) [Vrms] (2)	48-600	48-600
Transient Overvoltage [Vpk, t = 1 min.]	1200	1200
Static off-state dv/dt (V/us, Ta = 25°C) (3)	500	500
Maximum Load Current [Arms] (4)	25A	50A
Minimum Load Current [mArms]	100	100
Maximum Off-State Leakage Current [mArms] (5)	0.06	0.06
1 cycle surge current (50Hz)	275	710
1 cycle surge current (60Hz)	300	750
1 second surge current (Apk, Ta = 25°C) 50/60 Hz	85	150
Forward Voltage Drop (Vpk @ I <sub>max</sub> , Ta = 25°C)	1.35	1.35
I <sup>2</sup> T (50Hz, 1/2 cycle)	380	2520
I <sup>2</sup> T (60Hz, 1/2 cycle)	370	2320
Thermal Resistance Junction to baseplate (R <sub>jb</sub> ) [°C/W]	0.24	0.12
HP Ratings at 120V / FLC	0.75 / 6.4A	1.5 / 12A
HP Ratings at 240V / FLC	1 / 4.2A	3 / 9.6A
HP Ratings at 480V / FLC	3 / 4.8A	7.5 / 11A
HP Ratings at 600V / FLC	5 / 6.1A	10 / 11A
Min/Max wire size [AWG]	16/8	16/8
Screw Torque Range [in lbs/Nm]	18-20 / 2.03-2.26	18-20 / 2.03-2.26

### INPUT SPECIFICATIONS (1)

Description	GN3xxDx	GN3xxEx	GN3xxBx	GN3xxAx
Input Voltage Range	4-32 VDC	18-36 VAC	90-140 VAC	180-280 VAC
Minimum Turn-On Voltage	4.0 VDC	18 Vrms	90 Vrms	180 Vrms
Drop out Voltage	1.0 VDC	10 Vrms	10 Vrms	10 Vrms
Maximum Input Current	35mA	20mArms	16mArms	16mArms
Minimum input current (for on-state)	24mA	15mArms	7mArms	7mArms
Input Resistance	Current Regulated			
Turn-on time (6)	8.33ms	20ms	20ms	20ms
Turn-off time	8.33ms	30ms	30ms	30ms
Min/Max wire size [AWG]	24/14			
Screw Torque Range [in lbs/Nm]	8-10 / 0.9-1.13			

### GENERAL SPECIFICATIONS

Description	Parameters
Ambient Operating Temperature Range (7)	-40 to 80 °C
Ambient Storage Temperature Range	-40 to 100 °C
Input to output isolation	4000 Vrms
Input/output to ground isolation	2500 Vrms
Input to output capacitance	8 pF
Housing Material	UL 94V0 (self extinguishing)
Status Indicating Display	Green LED
Weight (typical)	0.79 lbs (360 g)

### GENERAL NOTES

- 1) All parameters at 25°C unless otherwise specified.
- 2) For part numbers with snubber Hz range is 47-63 and line voltage is 48-530VAC
- 3) Off-State dv/dt test method per EIA/NARM standard RS-443, paragraph 13.11.1
- 4) When mounted to the proper size heat sink (see derating curves)
- 5) Measured between 1/L1 and 2/T1 or 3/L2 and 4/T2 or 5/L3 and 6/T3
- 6) For DC control Random turn-on is 100µs while AC control is 20ms
- 7) Operating temperature range for 180-280VAC is -20 to +60°C

### MECHANICAL SPECIFICATIONS

