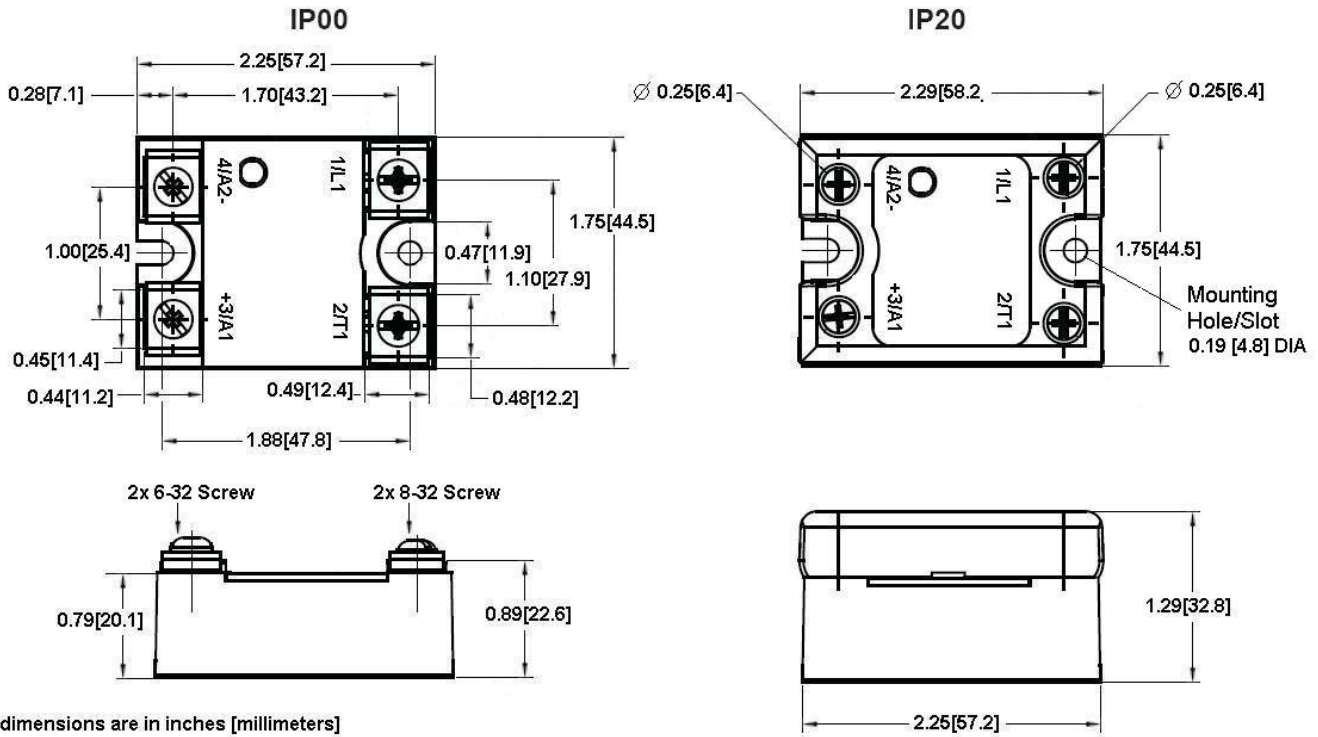


MECHANICAL SPECIFICATIONS



All dimensions are in inches [millimeters]

WIRING DIAGRAM

