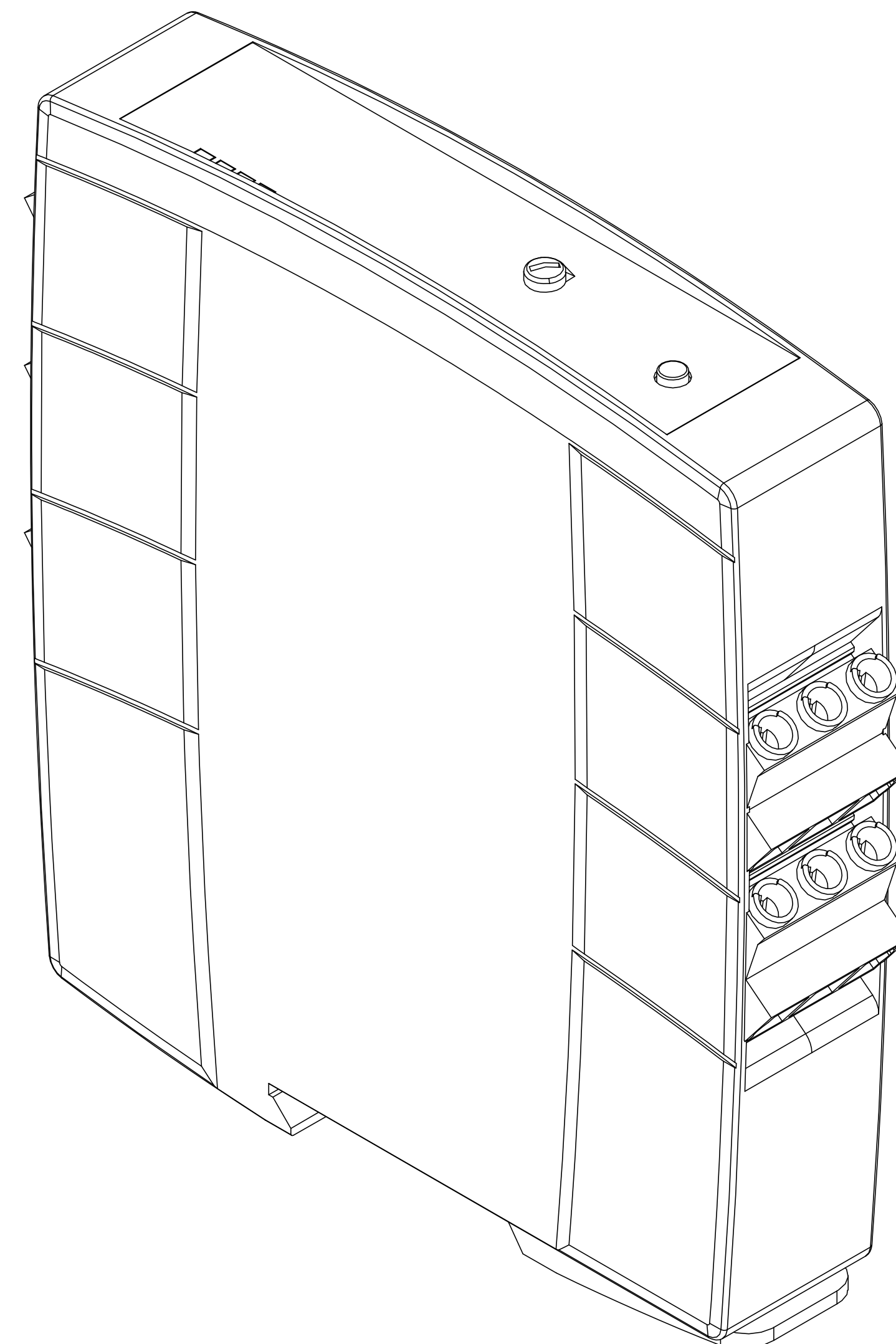
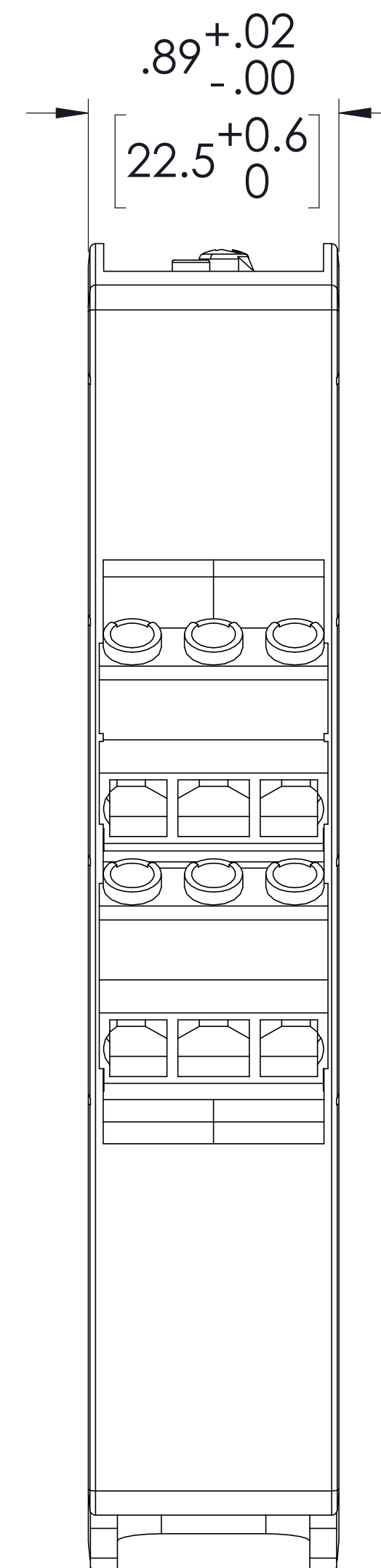
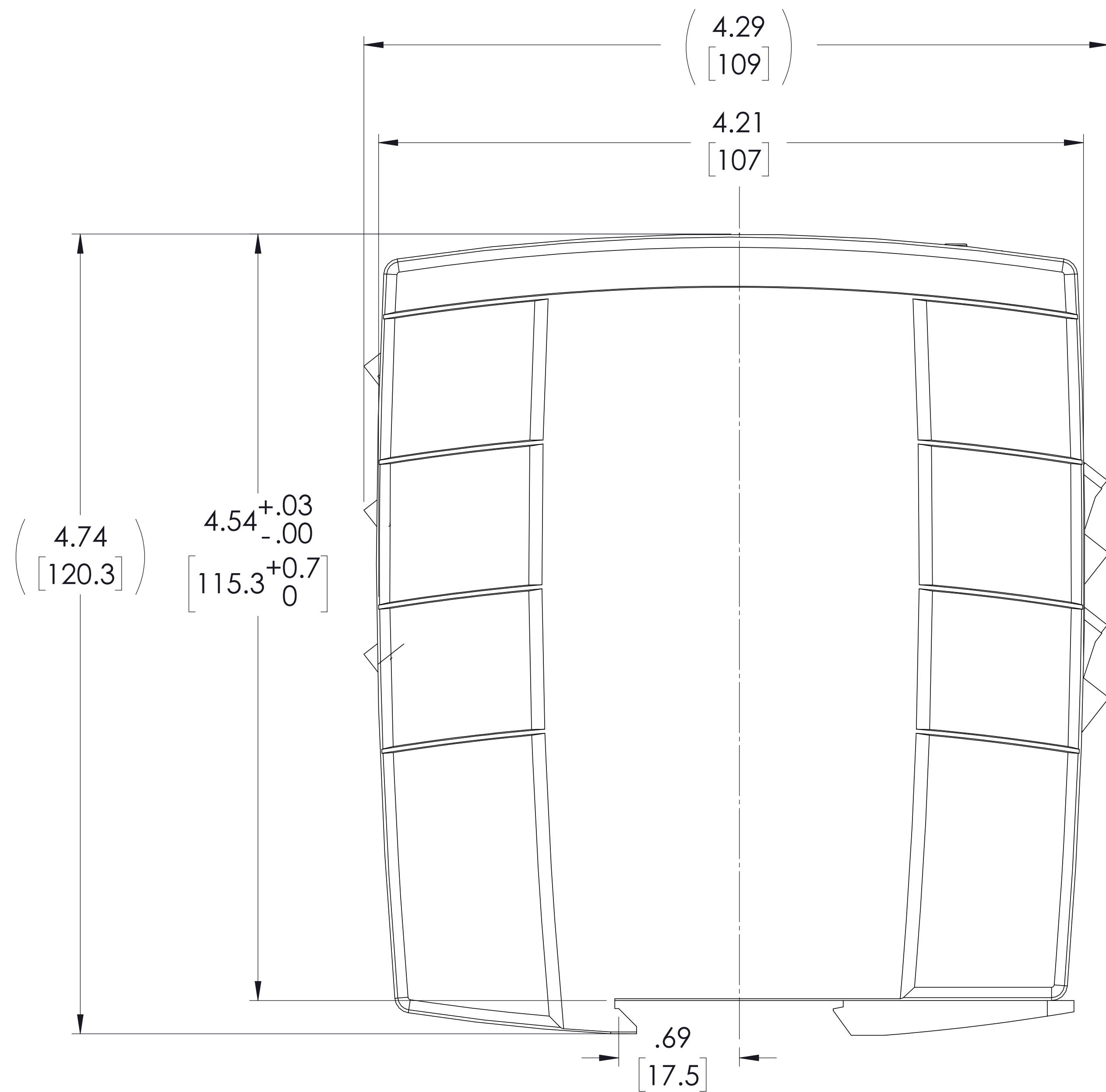


INPUT TERMINAL SLOT
SCREW (12 PLACES)

OUTPUT TERMINAL SLOT
SCREW (6 PLACES)



UNCONTROLLED COPY

FIRST ISSUE DATE : 06/15/2018
DRAWN : MGD
APPROVED : MRC
DATE : 06/15/2018

SENSATA TECHNOLOGIES PROPRIETARY AND CONFIDENTIAL. NEITHER THIS PRINT NOR THE INFORMATION CONTAINED HEREON IS TO BE USED AGAINST THE INTERESTS OF SENSATA TECHNOLOGIES OR AGAINST THE INTEREST OF ANY OF ITS AFFILIATED COMPANIES OR WHOLLY OWNED SUBSIDIARIES.



Av. Producción # 2181 Parque Industrial International Tijuana, Tijuana, B.C. 22425

ECN:

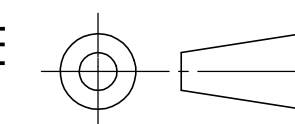
UNLESS OTHERWISE SPECIFIED DIMENSIONS ARE IN MILLIMETERS [INCHES] AND ARE INTENDED AS NOMINAL. SEE PRODUCT SPECIFICATION FOR MORE DETAILS.

TITLE
DRMS48D91

DATE:

DO NOT SCALE DRAWING

THIRD ANGLE PROJECTION



SIZE
B

DWG NO.

REV.
1

SCALE 1:2 SOLIDWORKS SHEET 1 OF 1