

**Accessories**

**Auxiliary Contacts**

Front mounted snap-on auxiliary contacts for **XT** contactors are available with screw or spring cage terminals in a variety of contact configurations.

**Notes:**

The 7 – 32A XTCE Contactors have positively driven contacts between the integrated auxiliary contact and the auxiliary contact module as well as within the auxiliary contact modules.

The 40 – 65A XTCE Contactors have positively driven contacts within the auxiliary

contact module. 6 auxiliary contacts are possible with a combination of side mounted and front mount auxiliary contacts.

Frame B – C contactors with 1NC built-in auxiliary are mirror contacts (XTCE...B01\_ – XTCE...C01\_).

**Table 34-75. XTCE and XTCS Auxiliary Contact Overview**

Frame	A	B	C	D	F	G	L – R
Catalog Numbers	XTMC6A... – XTMC9A...	XTCE007B... – XTCE015B...	XTCE018C... – XTCE032C...	XTCE040D00_ – XTCE065D00_	XTCE080F00_ – XTCE095F00_	XTCE115G00_ – XTCE150G00_	XTCE185L22_ – XTCEC20R22_ ①
Contactor Width	45 mm	45 mm	45 mm	55 mm	90 mm	90 mm	Various
Built-In Auxiliary	1NO or 1NC	1NO or 1NC	1NO or 1NC	—	—	—	2NO-2NC
Contact Sequence							
Front (Top) Mount Auxiliary	<p><b>2-Pole &amp; 4-Pole (Screw or Spring Cage):</b></p>	<p><b>Standard 2-Pole &amp; 4-Pole Versions (Screw or Spring Cage):</b></p> <p><b>Tall Version (Screw Only):</b></p>		<p><b>2-Pole (Screw Only):</b></p> <p><b>4-Pole (Screw or Spring Cage):</b></p>			N/A
Side Mount Auxiliary	N/A	N/A	<p><b>2-Pole (Screw Only):</b></p>	<p><b>2-Pole (Screw or Spring Cage):</b></p>			

① Frame L – R auxiliary contacts also apply to XTCS185L... – XTCS500M... contactors.

**Contactors and Starters**

**Table 34-76. Auxiliary Contacts**

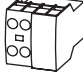

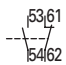
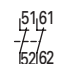
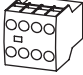
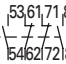
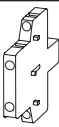
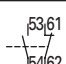
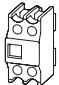
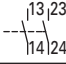
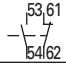
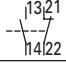
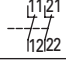
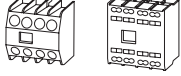
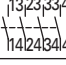
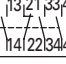
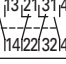
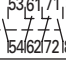
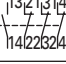
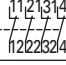
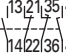
	Conventional Thermal Current, Open at 60°C $I_{th} = I_e$ , AC-1 in Amps	Poles	Contact Configuration	Circuit Symbol	Pkg. Qty.	Screw Terminals	Spring Cage Terminals	Price U.S. \$ ①
						Catalog Number	Catalog Number	
<b>Frame B – C — Front (Top) Mount</b>								
	16	2	2NO		5	XTCEXFAC20	XTCEXFACC20	
	16	2	1NO-1NC		5	XTCEXFAC11	XTCEXFACC11	
	16	2	2NC		5	XTCEXFAC02	XTCEXFACC02	
	16	2	1NO <sub>E</sub> -1NC <sub>L</sub>		5	XTCEXFALC11 ②	XTCEXFALCC11 ②	
	16	2	1NO-1NC		5	XTCEXFDC11 ③	XTCEXFDC11 ③	
	16	2	2NC		5	XTCEXFCC02 ③	XTCEXFCC02 ③	
	16	4	4NO		5	XTCEXFAC40	XTCEXFACC40	
	16	4	3NO-1NC		5	XTCEXFAC31	XTCEXFACC31	
	16	4	2NO-2NC		5	XTCEXFAC22	XTCEXFACC22	
	16	4	1NO-3NC		5	XTCEXFAC13	XTCEXFACC13	
	16	4	4NC		5	XTCEXFAC04	XTCEXFACC04	
	16	4	1NO <sub>E</sub> -1NC <sub>L</sub>		5	XTCEXFCLC22 ②	XTCEXFCLCC22 ②	
	16	4	2NO-2NC		5	XTCEXFCC22 ③	XTCEXFCC22 ③	

① Orders must be placed in multiples of package quantity listed.

② 1 early-make contact (1NO<sub>E</sub>), 1 late-break contact (1NC<sub>L</sub>).

③ To avoid duplicate terminal numbers in contact sequence, these auxiliary contacts should only be used with contactors having a built-in 1NO contact (XTCE...B10\_, XTCE...C10\_).

**Table 34-76. Auxiliary Contacts (Continued)**

	Conventional Thermal Current, Open at 60°C I <sub>th</sub> = I <sub>e</sub> , AC-1 in Amps	Poles	Contact Configuration	Circuit Symbol	Pkg. Qty.	Screw Terminals Catalog Number	Spring Cage Terminals Catalog Number	Price U.S. \$ ①
<b>Frame B – C — Front (Top) Mount — Tall Version ③</b>								
	16	2	2NO		5	XTCEXFATC20	—	
	16	2	1NO-1NC		5	XTCEXFATC11	—	
	16	2	2NC		5	XTCEXFATC02	—	
	16	4	2NO-2NC		5	XTCEXFATC22	—	
<b>Frame C — Side Mount</b>								
	10	2	1NO-1NC		1	XTCEXSCC11 ④	—	
<b>Frame D – G</b>								
	16	2	2NO		5	XTCEXFBG20	—	
	16	2	1NO-1NC		5	XTCEXFAG11	—	
	16	2	1NO-1NC		5	XTCEXFBG11	—	
	16	2	2NC		5	XTCEXFBG02	—	
	16	4	4NO-0NC		5	XTCEXFBG40	XTCEXFBGC40	
	16	4	3NO-1NC		5	XTCEXFBG31	XTCEXFBGC31	
	16	4	2NO-2NC		5	XTCEXFBG22	XTCEXFBGC22	
	16	4	2NO-2NC		5	XTCEXFAG22	XTCEXFAGC22	
	16	4	1NO-3NC		5	XTCEXFBG13	XTCEXFBGC13	
	16	4	0NO-4NC		5	XTCEXFBG04	XTCEXFBGC04	
	16	4	1NO <sub>E</sub> -1NC <sub>L</sub>		5	XTCEXFBG22 ②	XTCEXFBG22 ②	

① Orders must be placed in multiples of package quantity listed.  
 ② 1 early-make contact (1NO<sub>E</sub>), 1 late-break contact (1NC<sub>L</sub>).  
 ③ Front (Top) Mount Tall Version is for use with Frame B Electrical Wire Bridges and Link Kits (see Pages 34-56, 34-57) and Toolless Plug Combination Connection Kits: XTCEXRLB, XTCEXSDLB, XTPAXTPCB, XTPAXTPCRB, XTPAX.

④ Can be mounted to the left side of contactor only. Cannot be used in combination with front (top) mount auxiliary contacts or mechanical interlocks.

**Notes:**  
 ■ Interlocked opposing contacts, to IEC/EN 60947-5-1 Annex L (positively driven), within the auxiliary contact modules (not NO (early make) and NC (late break) contacts) and for the built-in auxiliary contacts of the XTCE007B... – XTCE032C....

■ Auxiliary break contact can be used as mirror contact to IEC/EN 60947-4-1 Annex F (not NC (late break) contact).  
 ■ No auxiliary contacts can be fitted between two contactors.

**Contactors and Starters**

**Table 34-77. Side Mount Auxiliary Contacts for Frame D – R, 40 – 2000A**

	Conventional Free Air Thermal Current, I <sub>th</sub> = I <sub>e</sub> , AC-1 in Amps	Poles	Contact Configuration	Circuit Symbol	Pkg. Qty.	Screw Terminals	Spring Cage Terminals	Price U.S. \$
						Catalog Number	Catalog Number	
<b>Frame D – R</b>								
	10	2	1NO-1NC		1	XTCEXSBN11	XTCEXSBNC11	
	10	2	1NO <sub>E</sub> -1NC <sub>L</sub>		1	XTCEXSBLN11 ①	—	
	10	2	1NO-1NC		1	XTCEXSCN11 ②	XTCEXSCNC11 ②	

① 1 early-make contact (1NO<sub>E</sub>), 1 late-break contact (1NC<sub>L</sub>).

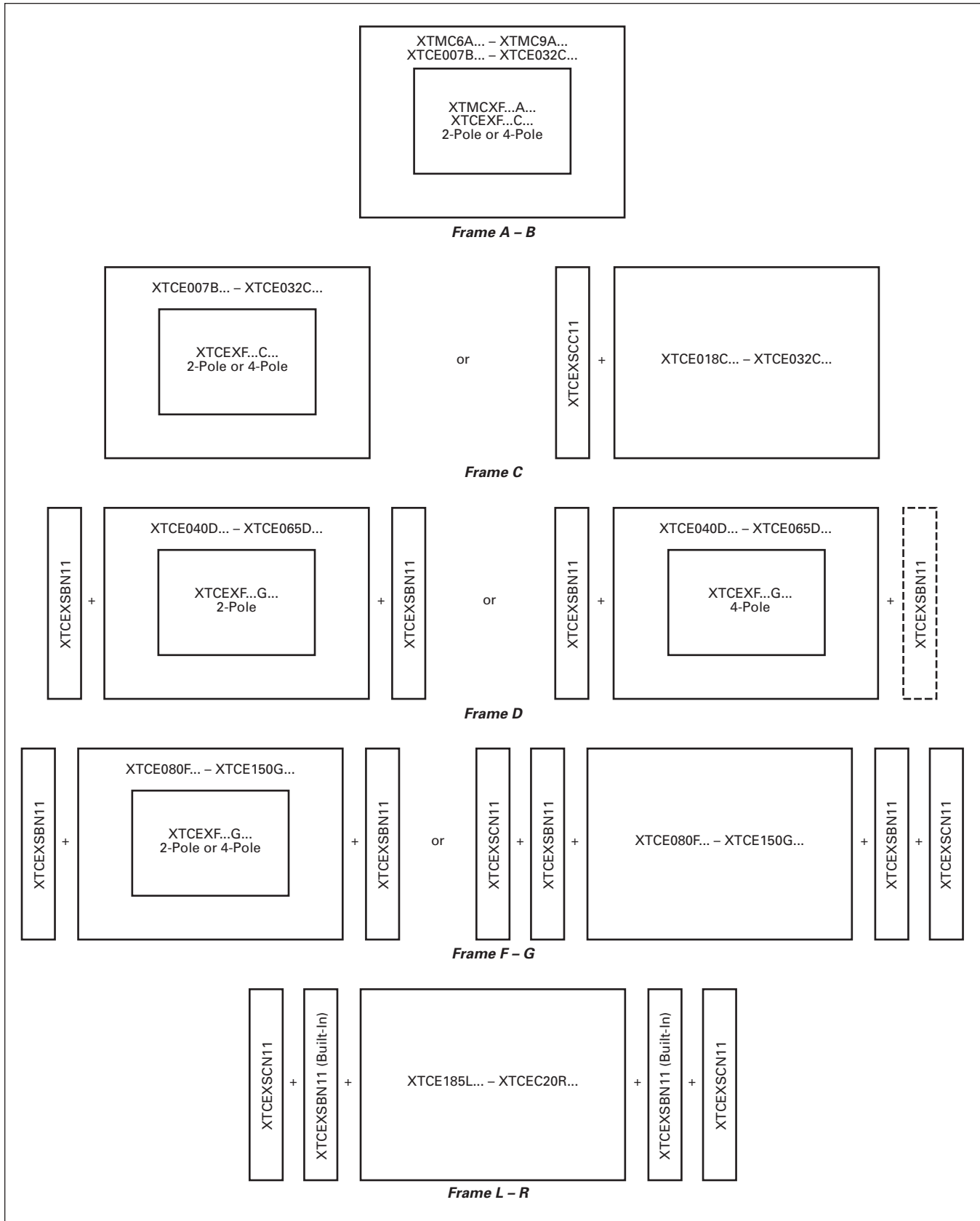
② To maintain proper terminal marking, XTCEXSCN\_ should not be used with Frame D contactors and only used with Frame F – G contactors in combination with XTCEXSBN\_.

**Table 34-78. Auxiliary Contacts Possible Combinations**

Frame Size	Catalog Number	Contactor	Built-In Auxiliary	Front (Top) Mount		Side Mount	Total Auxiliary Contacts Available
				2-Pole	4-Pole	2-Pole	
A	XTMC6A... – XTMC9A...		1NO or 1NC	1	—	—	3
				—	1	—	5
						—	—
B	XTCE007B... – XTCE015B...		1NO or 1NC	1	—	—	3
				—	1	—	5
						—	—
C	XTCE018C... – XTCE032C...		1NO or 1NC	1	—	—	3
				—	1	—	5
				—	—	1	3
							—
D	XTCE040D00_ – XTCE065D00_		—	1	—	2	6
				—	1	1	6
							—
F – G	XTCE080F00_ – XTCE150G00_		—	1	—	2	6
				—	1	2	8
				—	—	4	8
							—
L – R	XTCE185L22_ – XTCEC20R22_		2NO-2NC	—	—	2	8
				—	—		—

**Notes:**

- Forced operation contact to IEC/EN 60947-5-1 Appendix L (positively driven), inside the auxiliary contact unit (not early close and late opening).
- Auxiliary normally closed contact can be used as mirror contact to IEC/EN 60947-4-1 Appendix F (not late opening).
- No auxiliary contacts can be fitted between two contactors.



**Figure 34-37. Auxiliary Contact Combinations**

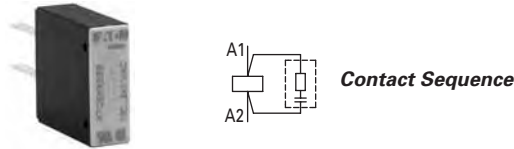
**Contactors and Starters**

**Suppressors**

The switching of contactor coils can generate voltage transients that may cause arching on switch contacts and/or damage electronics on the control line. Either a RC or Varistor Suppressor is recommended in these types of applications. All XT DC contactor coils have built-in suppression.

**34** Varistor Suppressors clamp the voltage transient above the maximum coil voltage and are recommended when the level of the transient is known to not exceed the coil voltage. RC Suppressors slow and reduce the level of the voltage transient but do not clamp them at a specific level. The slowing of the transient can reduce electrical interference. These are recommended in applications where operating rates are high.

**RC Suppressor** ①②

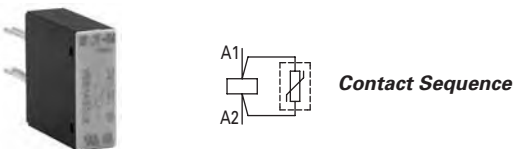


**Table 34-79. RC Suppressor**

Voltage	For Use with...	Pkg. Qty.	Catalog Number	Price U.S. \$ ③
24 - 48 48 - 130 110 - 240 240 - 500	XTCE007B - XTCE015B, XTCF020B	10 10 10 10	XTCEXRSBW XTCEXRSBA XTCEXRSBB XTCEXRSBC	
24 - 48 110 - 130 130 - 240 240 - 500	XTCE018C - XTCE032C	10 10 10 10	XTCEXRSCW XTCEXRSCA XTCEXRSCB XTCEXRSCC	
24 - 48 110 - 130 130 - 240 240 - 500	XTCE040D - XTCE095F	10 10 10 10	XTCEXRSFW XTCEXRSFA XTCEXRSFB XTCEXRSFC	

- ① Note drop-out delay.
- ② For AC operated contactors, 50 - 60 Hz. DC operated contactors and XTCE165G\_ and XTCE150G\_ have a built-in suppressor circuit.
- ③ Orders must be placed in multiples of package quantity listed.

**Varistor Suppressor** ④⑤

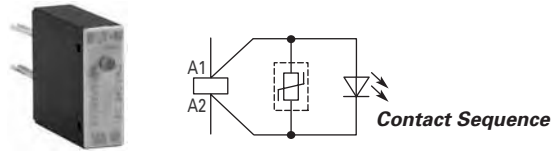


**Table 34-80. Varistor Suppressor**

Voltage	For Use with...	Pkg. Qty.	Catalog Number	Price U.S. \$ ⑥
24 - 48 48 - 130 130 - 240 240 - 500	XTCE007B - XTCE015B, XTCF020B	10 10 10 10	XTCEXVSBW XTCEXVSBA XTCEXVSBB XTCEXVSBC	
24 - 48 48 - 130 130 - 240 240 - 500	XTCE018C - XTCE032C	10 10 10 10	XTCEXVSCW XTCEXVSCA XTCEXVSCB XTCEXVSCC	
24 - 48 48 - 130 130 - 240 240 - 500	XTCE040D - XTCE095F	10 10 10 10	XTCEXVSFW XTCEXVSFA XTCEXVSFB XTCEXVSFC	

- ④ Note drop-out delay.
- ⑤ For AC operated contactors, 50/60 Hz. DC operated contactors have a built-in suppressor.
- ⑥ Orders must be placed in multiples of package quantity listed.

**Varistor Suppressor with Integrated LED** ⑦⑧

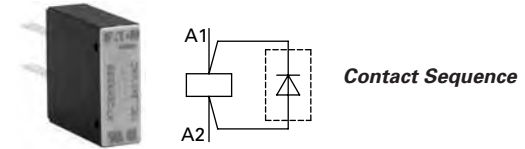


**Table 34-81. Varistor Suppressor**

Voltage AC	For Use with...	Pkg. Qty.	Catalog Number	Price U.S. \$ ⑨
24 - 48 130 - 240	XTCE007B - XTCE015B	10 10	XTCEXVSLBW XTCEXVSLBB	
24 - 48 130 - 240	XTCE018C - XTCE032C	10 10	XTCEXVSLCW XTCEXVSLCB	
24 - 48 130 - 240	XTCE040D - XTCE095F	10 10	XTCEXVSLFW XTCEXVSLFB	

- ⑦ Note drop-out delay.
- ⑧ For AC operated contactors, 50/60 Hz. DC operated contactors have an integrated suppressor.
- ⑨ Orders must be placed in multiples of package quantity listed.

**Free-Wheel Diode Suppressor** ⑩

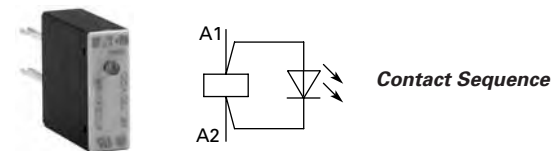


**Table 34-82. Free-Wheel Diode Suppressor**

Voltage DC	For Use with...	Pkg. Qty.	Catalog Number	Price U.S. \$ ⑪
12 - 250	XTCE007B - XTCE015B, XTCF020B	10	XTCEXDSB	

- ⑩ In addition to the built-in suppressor circuit for DC actuated contactors. Prevents negative breaking voltage when contactors are used in combination with a safety PLC.
- ⑪ Orders must be placed in multiples of package quantity listed.

**Voltage Indicator**




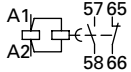
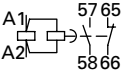
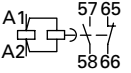
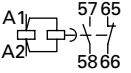
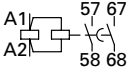
**Table 34-83. Voltage Indicator**

Voltage DC	For Use with...	Pkg. Qty.	Catalog Number	Price U.S. \$ ⑫
12 - 48 48 - 130 110 - 250	XTCE007B - XTCE015B, XTCF020B	10 10 10	XTCEXVIBW XTCEXVIBA XTCEXVIBB	
24 - 48 48 - 130 130 - 250	XTCE018C - XTCE032C	10 10 10	XTCEXVICW XTCEXVICA XTCEXVICB	
42 - 48 48 - 130 130 - 250	DC operated: XTCE040D - XTCE095F AC/DC operated: XTCE115G - XTCE150G	10 10 10	XTCEXVIGW XTCEXVIGA XTCEXVIGB	

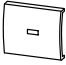
- ⑫ Orders must be placed in multiples of package quantity listed.

**Electronic Timer Modules** ①

**Table 34-84. Electronic Timer Modules for Frame B – C Contactors (7 – 32A)**

	Voltage	Contact Sequence	Timing Range	For Use with...	Pkg. Qty.	Catalog Number	Price U.S. \$
	<b>On-Delayed</b>						
	24V AC/DC		0.05 s – 1 s	XTCE...B...	1	XTCEXTEEC11T	
	100 – 130V AC		0.5 – 10 s	XTCE...C...		XTCEXTEEC11A	
	200 – 240V AC		5 s – 100 s			XTCEXTEEC11B	
	<b>Off-Delayed</b>						
	24V AC/DC		0.05 s – 1 s	XTCE...B...	1	XTCEXTED1C11T	
	100 – 130V AC			XTCE...C...		XTCEXTED1C11A	
	200 – 230V AC					XTCEXTED1C11B	
	24V AC/DC		0.5 – 10 s	XTCE...B...	1	XTCEXTED10C11T	
	100 – 130V AC			XTCE...C...		XTCEXTED10C11A	
	200 – 240V AC					XTCEXTED10C11B	
	24V AC/DC		5 s – 100 s	XTCE...B...	1	XTCEXTED100C11T	
	100 – 130V AC			XTCE...C...		XTCEXTED100C11A	
	200 – 240V AC					XTCEXTED100C11B	
	<b>Star-Delta</b>						
	24V AC/DC		1 s – 30 s	XTCE...B...	1	XTCEXTEYC20T	
	100 – 130V AC			XTCE...C...		XTCEXTEYC20A	
	200 – 240V AC					XTCEXTEYC20B	

**Sealable Shroud**

	—	Transparent sealable shroud used to protect electronic timer modules from unwanted access.	XTCEXTEE, XTCEXTED, XTCEXTEY	1	XTCEXTESHRD	
---	---	--	------------------------------------	---	-------------	--

① Front (Top) mounted timer modules for use with XTCE...B and XTCE...C contactors. Can not be combined with top mount auxiliary contacts, XTCEXF...C\_\_.

**Table 34-85. XTCR Reversing Contactor Components**

Qty	Frame	B	C	D	F	G
2	Contactors	XTCE...B01_	XTCE...C01_	XTCE...D00_	XTCE...F00_	XTCE...G00_
2	Auxiliary Contact	XTCEXFAC20	XTCEXFAC20	XTCEXFBG11	XTCEXFBG11	XTCEXFBG11
1	Mechanical Interlock	XTCEXMLB	XTCEXMLC	XTCEXMLD	XTCEXMLG	XTCEXMLG
1	Reversing Link Kit	XTCEXRLB	XTCEXRLC	XTCEXRLD	XTCEXRLG	XTCEXRLG

**Mechanical Interlock** <sup>①</sup>



**Table 34-86. Mechanical Interlock**

	For Use with...	Pkg. Qty.	Catalog Number	Price U.S. \$ <sup>②</sup>
	XTCE007B – XTCE015B, XTCE020B	5	XTCEXMLB	
	XTCE018C – XTCE032C	1	XTCEXMLC	
	XTCE040D – XTCE065D	1	XTCEXMLD	
	XTAE080F – XTCE150G	1	XTCEXMLG <sup>③</sup>	
	XTCE185L – XTCE500M	1	XTCEXMLM	
	XTCE580N – XTCEC10N	1	XTCEXMLN <sup>③</sup>	

① For two contactors with AC or DC operated magnet system which are horizontally or vertically mounted. For B – G frames, mechanical lifespan is 2.5 x 10<sup>6</sup> operations and the distance between contactors is 0 mm. For L – N frames, mechanical lifespan is 5 x 10<sup>6</sup> operations and no auxiliary contact can be mounted between the mechanical interlock and the contactor — the distance between contactors is 15 mm.

② Orders must be placed in multiples of package quantity listed.

③ XTCEXMLG and XTCEXMLN consist of an interlock element and mounting plate.

**Reversing Link Kits**



Main current wiring for reversing combinations. Includes Paralleling Bridge and Reversing Bridge. Does not include Mechanical Interlock, see **Table 34-86**.

**Table 34-87. Reversing Link Kits**

	For Use with...	Pkg. Qty.	Catalog Number	Price U.S. \$
	XTCE007B – XTCE015B	1	XTCEXRLB <sup>④</sup>	
	XTCE018C – XTCE032C	1	XTCEXRLC	
	XTCE040D – XTCE065D	1	XTCEXRLD	
	XTCE115G – XTCE150G	1	XTCEXR LG	
	XTCE185L – XTCE250L	1	XTCEXRLL	
	XTCE300M – XTCE400M	1	XTCEXR LM400	

④ Also includes Interlocking Bridge (XTCEXLBB). The following control cables are integrated for electrical interlock: K1M: A1 – K2M: 21; K1M: 21 – K2M: A1; K1M: A2 – K2M: A2.

**Star-Delta (Wye-Delta) Link Kits**



Main current wiring for star-delta (wye-delta) combinations. Includes Paralleling Bridge, Reversing Bridge, and Star-Delta Bridge. Does not include Mechanical Interlock, see **Table 34-86**.

**Table 34-88. Star-Delta (Wye-Delta) Link Kits**

	For Use with...	Pkg. Qty.	Catalog Number	Price U.S. \$
	XTCE007B – XTCE015B	1	XTCEXSDLB <sup>⑤</sup>	
	XTCE018C – XTCE032C	1	XTCEXS DLC	
	XTCE040D – XTCE065D	1	XTCEXS DLD	
	XTCE080F – XTCE095F	1	XTCEXS DLF	
	XTCE115G – XTCE150G	1	XTCEXS DLG	
	XTCE185L – XTCE225L	1	XTCEXS DLL225	
	XTCE250L	1	XTCEXS DLL250	
	XTCE300M – XTCE400M	1	XTCEXS DLM400	

⑤ Also includes Interlocking Bridge (XTCEXLBB). The following control cables are integrated for electrical interlock: K1M: A1 – K2M: 21; K1M: 21 – K2M: A1; K1M: A2 – K2M: A2.

**Paralleling Bridge**



Component part of Reversing Link Kit (XTCEXRL\_). Parallels the phases on the line-side of two contactors.

**Table 34-89. Paralleling Bridge**

	For Use with...	Pkg. Qty.	Catalog Number	Price U.S. \$ <sup>⑥</sup>
	XTCE007B – XTCE015B	20	XTCEXPBB	
	XTCE018C – XTCE032C	20	XTCEXPBC	
	XTCE040D – XTCE065D	10	XTCEXPBD	
	XTCE080F – XTCE150G	10	XTCEXPBG	

⑥ Orders must be placed in multiples of package quantity listed.

**Reversing Bridge**



Component part of Reversing Link Kit (XTCEXRL\_). Reverses the phases on the load-side of two contactors.

**Table 34-90. Reversing Bridge**

	For Use with...	Pkg. Qty.	Catalog Number	Price U.S. \$ <sup>⑦</sup>
	XTCE007B – XTCE015B	20	XTCEXRBB	
	XTCE018C – XTCE032C	20	XTCEXRBC	
	XTCE040D – XTCE065D	10	XTCEXRBD	
	XTCE080F – XTCE150G	10	XTCEXRBG	

⑦ Orders must be placed in multiples of package quantity listed.



**Electrical Interlocking Bridge**

Connects NC auxiliary contact with A2 terminal of other contactor in reversing application. Included in XTCEXRLB reversing link kit.

**Table 34-91. Electrical Interlocking Bridge**

For Use with...	Pkg. Qty.	Catalog Number	Price U.S. \$ <sup>①</sup>
XTCE007B – XTCE015B	20	XTCEXLBB	

① Orders must be placed in multiples of package quantity listed.

**Star-Delta (Wye-Delta) Bridge**



Component part of Star-Delta Link Kit (XTCEXSDL\_). Combines the 3-phases on the line side of shorting contactor.

**Table 34-92. Star-Delta (Wye-Delta) Bridge**

	For Use with...	Pkg. Qty.	Catalog Number	Price U.S. \$ <sup>②</sup>
	XTCE007B – XTCE015B	20	XTCEXSDBB <sup>③</sup>	
	XTCE018C – XTCE032C	20	XTCEXSDBC	
	XTCE040D – XTCE065D	10	XTCEXSDBD	
	XTCE080F – XTCE150G	1	XTCEXSDBG	
	XTCE185L – XTCE400M	1	XTCEXSDB400	
	XTCE500M	1	XTCEXSDB500	

② Orders must be placed in multiples of package quantity listed.

③ Frame B is tool-less connection type.

**Connector <sup>④</sup>**



**Table 34-93. Connector**

	For Use with...	Pkg. Qty.	Catalog Number	Price U.S. \$ <sup>⑤</sup>
	XTCE007B – XTCE032C	50	XTCEXCNC	
	XTCE040D – XTCE150G	10	XTCEXCNG	

④ For mechanically arranging contactors in combinations. Distance between contactors is 0 mm.

⑤ Orders must be placed in multiples of package quantity listed.

**Add-On Fourth Pole**



Add-On Fourth Pole for use with Frame D contactors. Only for AC-1 load. Up to two auxiliary contacts can be fitted.

**Table 34-94. Fourth Pole**

	For Use with...	AC-1 (A) Open/Enclosed	Pkg. Qty.	Catalog Number	Price U.S. \$
	XTCE040D00_	35/30A	1	XTCEX4P35D	
	XTCE050D00_	75/60A	1	XTCEX4P75D	
	XTCE065D00_				

**Parallel Link <sup>⑥⑦⑧</sup>**



For using one contactor per phase. Each package comes with (2) links for line: load.

**Table 34-95. Parallel Link**

	For Use with...	Pkg. Qty.	Catalog Number	Price U.S. \$ <sup>⑨</sup>
	XTCE007B – XTCE015B	5	XTCEXPLKB	
	XTCE018C – XTCE032C	5	XTCEXPLKC	
	XTCE040D – XTCE065D	1	XTCEXPLKD	
	XTCE080F – XTCE150G	1	XTCEXPLKG	
	XTCE185L	1	XTCEXPLKL185	

⑥ Fourth Pole can be broken off: 4-Pole: I<sub>th</sub> = 60A; 3-Pole: I<sub>th</sub> = 50A.

⑦ AC-1 current carrying capacity of the contactor increases by a factor of 2.5. For XTCEXPLKL185, one shroud is included for protection against accidental contact.

⑧ Protected against accidental contact in accordance with IEC 536.

⑨ Orders must be placed in multiples of package quantity listed.

**Contactors and Starters**

**3-Phase Commoning Link**

Main current wiring that parallels and commons the line side of multiple contactors. For use with Frame B contactors only. Protected against accidental contact, short-circuit proof. Max voltage ( $U_e$ ) = 690V, Max Current ( $I_e$ ) = 63A.

**Table 34-96. 3-Phase Commoning Link**

	Notes	Pkg. Qty.	Catalog Number	Price U.S. \$ <sup>①</sup>
	Suitable for 3 contactors, length = 135 mm	5	XTCEXCLK3B	
	Suitable for 4 contactors, length = 180 mm	5	XTCEXCLK4B	
	Suitable for 5 contactors, length = 225 mm	5	XTCEXCLK5B	

① Orders must be placed in multiples of package quantity listed.

**Incoming Terminal**

Terminal for use with three-phase commoning link XTCEXCLK\_B.

**Table 34-97. Incoming Terminal**

	For Use with...	Pkg. Qty.	Catalog Number	Price U.S. \$ <sup>②</sup>
	XTCE007B – XTCE015B	5	XTCEXITB	

② Orders must be placed in multiples of package quantity listed.

**Terminal Lug Assembly**

For connection of: round conductor, flexible and stranded, flat strip conductor. With control circuit terminal. See **Table 34-118, Page 34-75** for terminal capacities.

**Table 34-98. Terminal Lug Assembly**

	For Use with...	Pkg. Qty.	Catalog Number	Price U.S. \$
	XTCE185L – XTCE225L	1	XTCEXTLA225	
	XTCE250L – XTCE400M	1	XTCEXTLA400	

**Terminal Lug Kit — Set of (3) Lugs**



**Table 34-99. Set of (3) Lugs**

For Use with...	Description	Pkg. Qty.	Catalog Number	Price U.S. \$
XTCE500M	Set of 3 Lugs #4-500MCM 2-Phase Cu/Al 500A	1	XTCEXTL500	
XTCE650N	Set of 3 Lugs #2-500MCM 2-Phase Cu/Al 650A	1	XTCEXTL650	
XTCE820N	Set of 3 Lugs #2-500MCM 4-Phase Cu/Al 820A	1	XTCEXTL820	

**Terminal Flat Bar**

For connection of a flat strip conductor. Comes with control circuit terminal (consisting of 3 flat strip conductor terminals).

**Table 34-100. Terminal Flat Bar**

	For Use with...	Pkg. Qty.	Catalog Number	Price U.S. \$
	XTCE500M – XTCE650N	1	XTCEXTFB650	
	XTCE750N – XTCE820N	1	XTCEXTFB820	

Note: Not UL Listed.

**Control Wire Terminal Extension**



Fits to Frame F – G contactors and allows connection of control wire to power terminals.

**Table 34-101. Control Wire Terminal Extension**

For Use with...	Pkg. Qty.	Catalog Number	Price U.S. \$ <sup>③</sup>
XTCE080F – XTCE150G	10	XTCEXTCWG	

③ Orders must be placed in multiples of package quantity listed.

**Terminal Shrouds**

Protection against direct contact with connection lugs when touched vertically from the front.

**Table 34-102. Terminal Shrouds**

	For Use with...	Pkg. Qty.	Catalog Number	Price U.S. \$
	XTCE185L – XTCE400M	1	XTCEXTS400	
	XTCE500M	1	XTCEXTS500	
	XTCE580N – XTCE650N	1	XTCEXTS650	
	XTCE750N – XTCEC10N	1	XTCEXTS820	

Discount Symbol ..... 1CD7