

**BR Plug-On Neutral Loadcenters**



### Contents

<b>Description</b>	<b>Page</b>
Overview .....	<b>V1-T1-42</b>
BR Specialty Products	
BR Plug-On Neutral Loadcenters	
Catalog Number Selection .....	<b>V1-T1-58</b>
Product Selection .....	<b>V1-T1-59</b>
BR Quick Connect Neutral Loadcenters .....	<b>V1-T1-60</b>
Spa Panels .....	<b>V1-T1-61</b>
Riser Panel .....	<b>V1-T1-62</b>
Type BR Renovation Loadcenter .....	<b>V1-T1-63</b>
BR Loadcenter Options and Accessories .....	<b>V1-T1-66</b>
BR Circuit Breakers .....	<b>V1-T1-80</b>

## BR Specialty Products

### BR Plug-On Neutral Loadcenters

#### Product Description

Quicker, easier and cleaner than the competition. Introducing the BR Plug-On Neutral portfolio from Eaton. Eaton's latest development in loadcenters and breakers has been redesigned to improve safety and ease of installation time, while offering a more professional look and feel.

#### Features and Benefits

- Redesigned the BR electronic breakers into a short-body to optimize gutter space and save time with an easier, more succinct installation process
- Unique self-leveling tabs to allow for quick drywall offset
- Added keyhole hanging feature on cover for ease of installation
- Common drive types on screw connections for added simplicity and convenience
- Inboard neutral to increase the gutter space for easier installation of conductors
- Backed-out neutral screws to allow for a quick connection of ground and neutral conductors
- Upgraded to embossed circuit numbers for a more clean and professional look

# 1.2

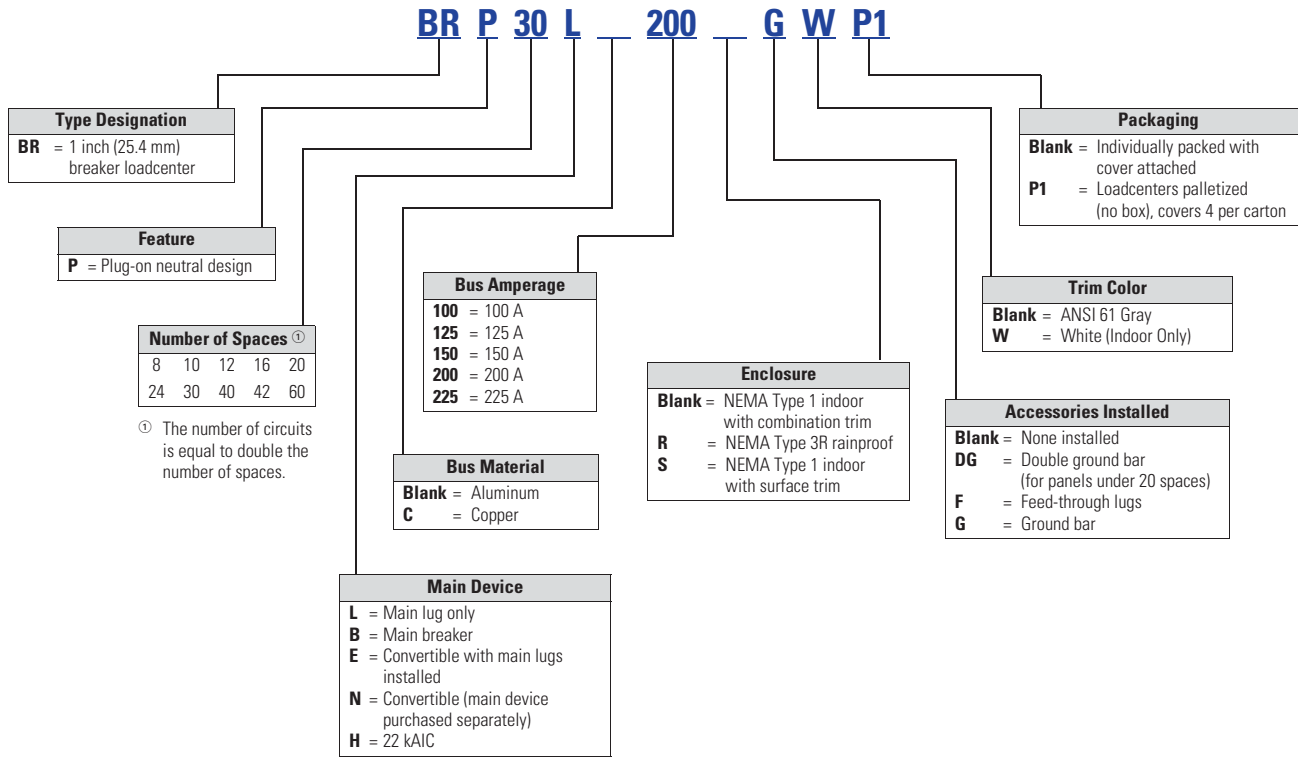
## Loadcenters and Circuit Breakers

### Type BR Loadcenters and Circuit Breakers

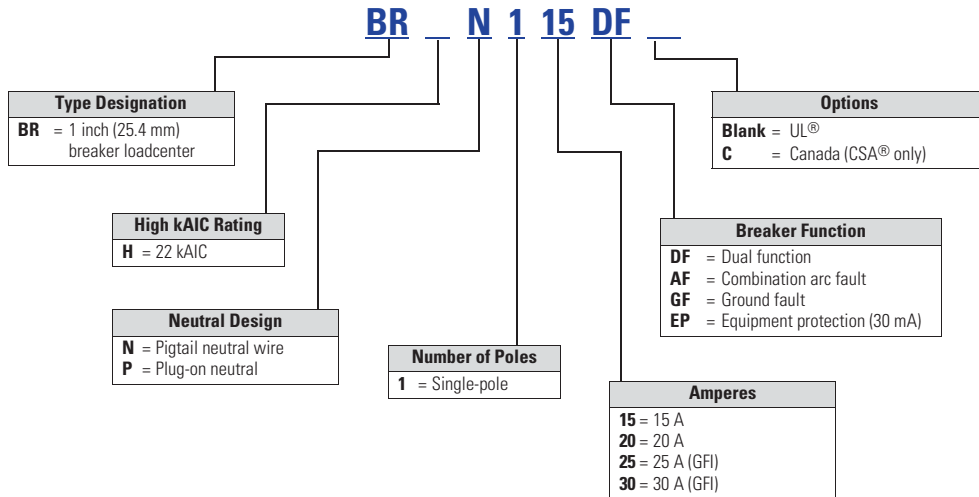
1

#### Catalog Number Selection

#### BR Plug-On Neutral Loadcenters



#### BR Electronic Circuit Breakers



### Product Selection

BRP\_



#### BR Plug-On Neutral (PON) Loadcenters

Main Breaker Type	Main Ampere Rating	Spaces	Circuits	Enclosure Type	Box Size	Wire Size Range Cu/Al 60°C or 75°C for Main Breaker	Loadcenter Catalog Number with Combination or NEMA Type 3R Cover
CSR at 25 kAIC	200	30	60	Indoor	X6	#2–300 kcmil	<b>BRP30B200</b>
CSR at 25 kAIC	200	40	80	Indoor	X8	#2–300 kcmil	<b>BRP40B200</b>
—	200	30	60	Indoor	X5	#1–300 kcmil	<b>BRP30L200G</b>
—	200	40	80	Indoor	X8	①	<b>BRP40N200</b>

#### BR Electronic Breakers

Breaker Type	Plug-On Neutral Catalog Number	Pigtail Catalog Number	Ampere Rating	Poles	Wire Size	Breaker Type	LED Diagnostics Included
BR AFCI Breakers	<b>BRP115AF</b>	<b>BRN115AF</b>	15	Single-pole, 10 kAIC	#14–4	Combination AFCI	Yes
	<b>BRP120AF</b>	<b>BRN120AF</b>	20	Single-pole, 10 kAIC	#14–4	Combination AFCI	Yes
BR GFCI Breakers	<b>BRP115GF</b>	<b>BRN115GF</b>	15	Single-pole, 10 kAIC	#14–4	Personnel Protection GFCI	Yes
	<b>BRP120GF</b>	<b>BRN120GF</b>	20	Single-pole, 10 kAIC	#14–4	Personnel Protection GFCI	Yes
BR Dual Function Breakers	<b>BRP115DF</b>	<b>BRN115DF</b>	15	Single-pole, 10 kAIC	#14–4	Dual Function AFCI/GFCI	Yes
	<b>BRP120DF</b>	<b>BRN120DF</b>	20	Single-pole, 10 kAIC	#14–4	Dual Function AFCI/GFCI	Yes
BR 22 kAIC AFCI Breakers	—	<b>BRHN115AF</b>	15	Single-pole, 10 kAIC	#14–4	Combination AFCI	Yes
	—	<b>BRHN120AF</b>	20	Single-pole, 10 kAIC	#14–4	Combination AFCI	Yes
BR GFCI Breakers	—	<b>BRHN115GF</b>	15	Single-pole, 10 kAIC	#14–4	Personnel Protection GFCI	Yes
	—	<b>BRHN120GF</b>	20	Single-pole, 10 kAIC	#14–4	Personnel Protection GFCI	Yes
	—	<b>BRHN125GF</b>	25	Single-pole, 10 kAIC	#14–4	Personnel Protection GFCI	Yes
	—	<b>BRHN130GF</b>	30	Single-pole, 10 kAIC	#14–4	Personnel Protection GFCI	Yes
BR 30 mA GFCI Breakers	—	<b>BRN115EP</b>	15	Single-pole, 10 kAIC	#14–4	Equipment Protection	Yes
	—	<b>BRN120EP</b>	20	Single-pole, 10 kAIC	#14–4	Equipment Protection	Yes
	—	<b>BRN125EP</b>	25	Single-pole, 10 kAIC	#14–4	Equipment Protection	Yes
	—	<b>BRN130EP</b>	30	Single-pole, 10 kAIC	#14–4	Equipment Protection	Yes
BR 22 kAIC Dual Function Breakers	—	<b>BRHAFGF115</b>	15	Single-pole, 10 kAIC	#14–4	Dual Function AFCI/GFCI	Yes
	—	<b>BRHAFGF120</b>	20	Single-pole, 10 kAIC	#14–4	Dual Function AFCI/GFCI	Yes

**Note**

① See Main Breaker and Main Lug Kit tables, **Page V1-T1-52**.