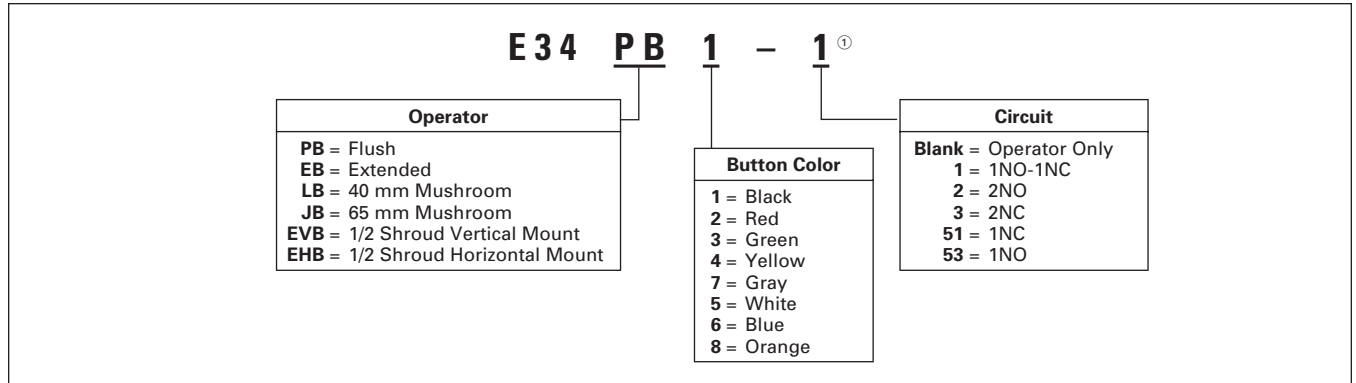


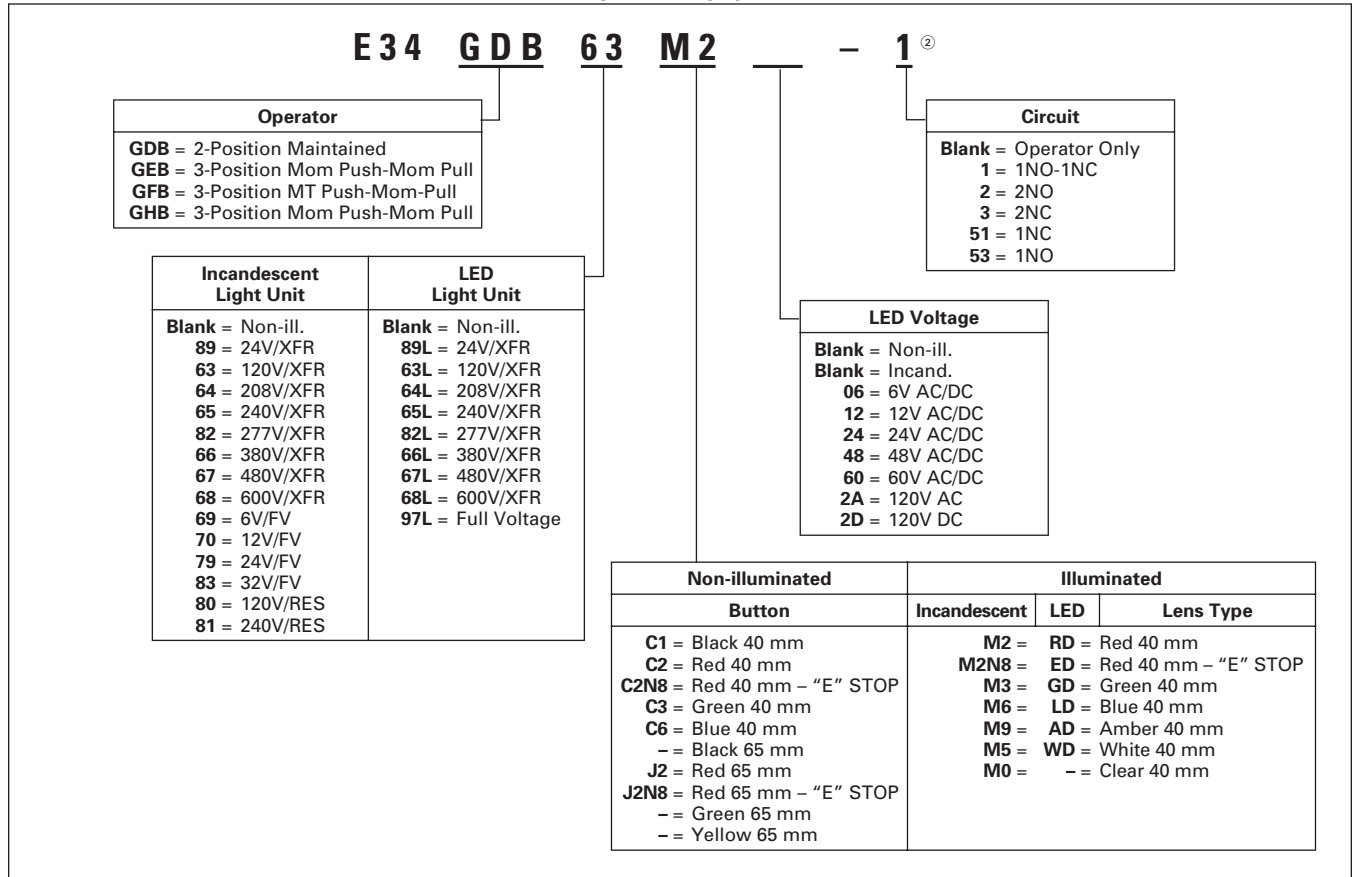
Catalog Number Structure

Table 47-313. Non-illuminated Pushbuttons Catalog Numbering System



① Add X at end of Catalog Number to receive parts assembled from factory.

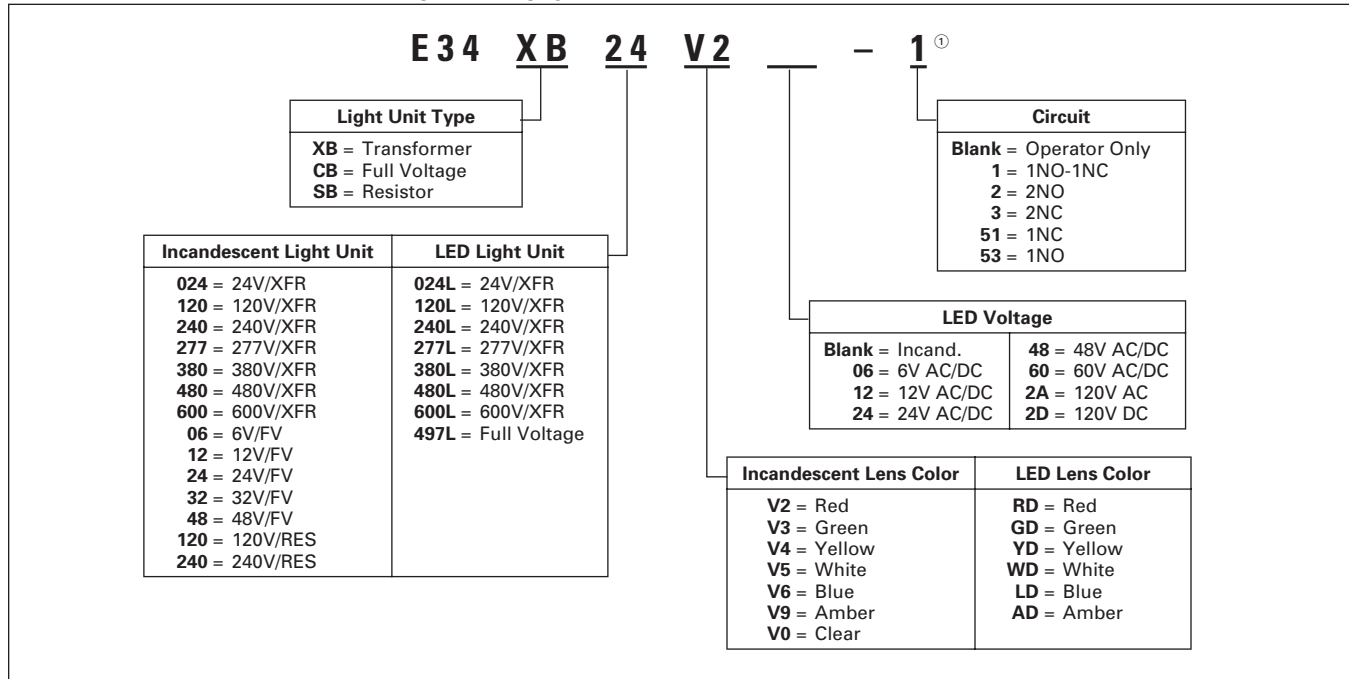
Table 47-314. Illuminated and Non-illuminated Push-Pulls Catalog Numbering System



② Add X at end of Catalog Number to receive parts assembled from factory.

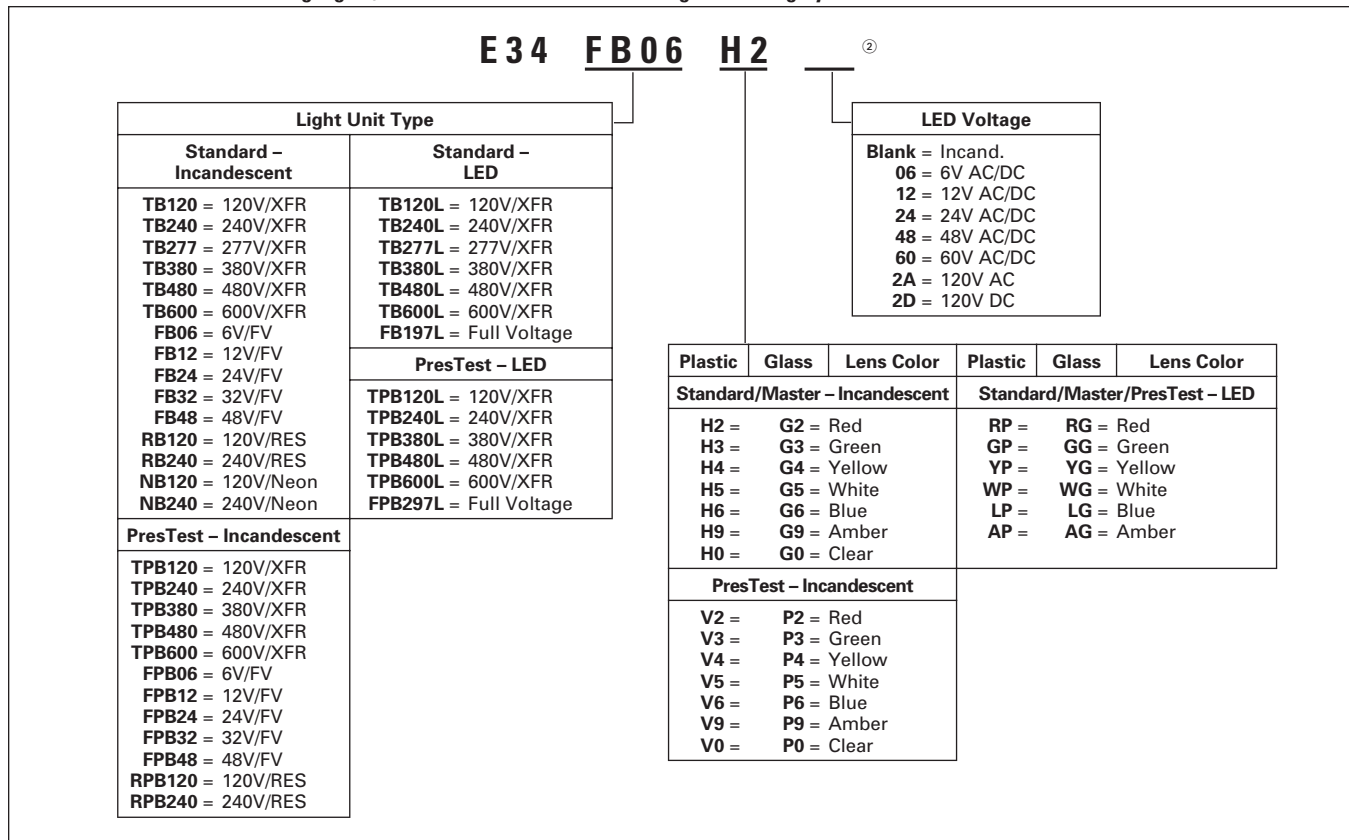
E34 Series, Catalog Number Structure

Table 47-315. Illuminated Pushbuttons Catalog Numbering System



① Add X at end of Catalog Number to receive parts assembled from factory.

Table 47-316. Standard Indicating Lights, PresTest and Master Test Catalog Numbering System



② Add X at end of Catalog Number to receive parts assembled from factory.

E34 Series, Assembled Devices — Momentary Pushbutton and Indicating Light Units

Product Selection

Momentary Pushbutton Units

- Non-illuminated

Table 47-261. Pushbutton Units — UL (NEMA) Type 3, 3R, 4, 4X, 12, 13

| Contact Type | Button Color | Flush Button | | Extended Button | | Mushroom Button | | Jumbo Mushroom ① | |
|--------------|--|---|---------------|---|---------------|---|---------------|--|---------------|
| | | Catalog Number | Price U.S. \$ | Catalog Number | Price U.S. \$ | Catalog Number | Price U.S. \$ | Catalog Number | Price U.S. \$ |
| 1NO | Black Red Green Red — Engraved EMERG. STOP | E34PB1-53X E34PB2-53X E34PB3-53X — | | E34EB1-53X E34EB2-53X E34EB3-53X — | | E34LB1-53X E34LB2-53X E34LB3-53X — | | E34JB1-53X E34JB2-53X E34JB3-53X E34JB2N8-53X | |
| 1NC | Black Red Green Red — Engraved EMERG. STOP | E34PB1-51X E34PB2-51X E34PB3-51X — | | E34EB1-51X E34EB2-51X E34EB3-51X — | | E34LB1-51X E34LB2-51X E34LB3-51X — | | E34JB1-51X E34JB2-51X E34JB3-51X E34JB2N8-51X | |
| 1NO-1NC | Black Red Green Red — Engraved EMERG. STOP | E34PB1-1X E34PB2-1X E34PB3-1X — | | E34EB1-1X E34EB2-1X E34EB3-1X — | | E34LB1-1X E34LB2-1X E34LB3-1X — | | E34JB1-1X E34JB2-1X E34JB3-1X E34JB2N8-1X | |

① Anodized aluminum head — may not be suitable for some corrosive environments.

Indicating Light Units

- Plastic Lenses



**24V Full Voltage
 Indicating Light — Red
 Catalog Number
 E34FB24H2X**

Table 47-262. Indicating Light Units — UL (NEMA) Type 3, 3R, 3S, 4, 4X, 12, 13

| Lamp | Type | Voltage | Color | Indicating Light ② | | LED/Lamp Number |
|--------------|--------------|---------------------|-----------------------|---|---------------|-----------------|
| | | | | Catalog Number | Price U.S. \$ | |
| LED | Full Voltage | 24V AC/DC | Red Green Amber | E34FB197LRP24 E34FB197LGP24 E34FB197LAP24 | | Bayonet Base |
| | | 120V AC | Red Green Amber | E34FB197LRP2A E34FB197LGP2A E34FB197LAP2A | | |
| Incandescent | Full Voltage | 24V AC/DC | Red Green Amber | E34FB24H2X E34FB24H3X E34FB24H9X | | #757 |
| | Resistor | 120V AC/DC | Red Green Amber | E34RB120H2X E34RB120H3X E34RB120H9X | | 120MB |
| | Transformer | 120V AC 50/60 Hz | Red Green Amber | E34TB120H2X E34TB120H3X E34TB120H9X | | #755 |

② Anodized aluminum head — may not be suitable for some corrosive environments.

Note: Use NEMA 4X 10250T operators where exposed to ultraviolet light, see Pages 47-115 – 47-165.

Additional Light Units **Page 47-170**
 Dimensions **Page 47-191**
 Enclosures **Pages 47-185 – 47-186**
 Legend Plates **Page 47-184**
 Replacement
 Lamps/LEDs **Page 47-157**
 Discount Symbol **1CD1C**