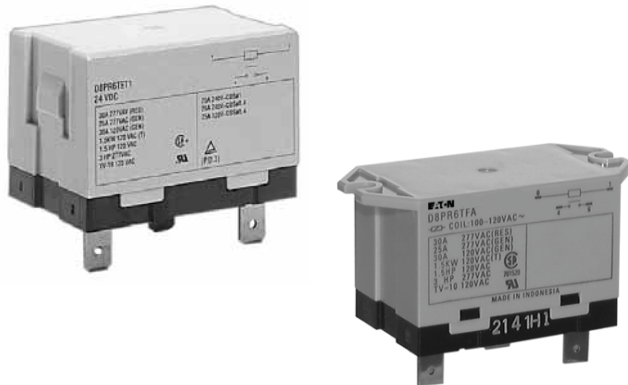


D8 Series Relay



D8 Series

Product Description

The D8 Series power relays are perfect for loads up to 30 A, with versions for flange mounting and e-clip mounting available.

Features




- Allows switching of 25 A and 30 A loads
- A high-capacity, high-withstand voltage relay compatible with momentary voltage drops
- No contact chattering for momentary voltage drops up to 50% of rated voltage
- UL Class B construction standard
- Wide-range AC-activated coil that handles 100 to 120 Vac at either 50 or 60 Hz
- Panel, DIN rail and flange mounting

Contents

Description

| <i>Description</i> | <i>Page</i> |
|---|-------------|
| D1RR/D1RF Series | V7-T3-53 |
| D2RR/D2RF Series | V7-T3-57 |
| D3RR/D3RF Series | V7-T3-67 |
| D4 Series | V7-T3-76 |
| D5RR/D5RF Series | V7-T3-80 |
| D7PR/D7PF Series | V7-T3-89 |
| D8 Series | |
| Catalog Number Selection | V7-T3-104 |
| Product Selection | V7-T3-104 |
| Technical Data and Specifications | V7-T3-105 |
| Dimensions | V7-T3-105 |
| D9 Series | V7-T3-108 |
| Accessories | V7-T3-112 |

Standards and Certifications

-  File # E1491
-  File # LR701520
- 

3.4

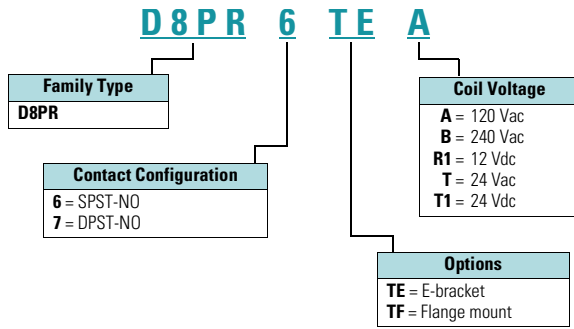
Control Relays and Timers

General Purpose Plug-In Relays

3

Catalog Number Selection

D8 Series ①



Product Selection

D8 Relay/Socket Quick Reference

| Relay Type | Mounting Bracket | Adapter Track/ Panel Mount | Front Connecting Sockets Track/ Panel Mount |
|------------|------------------|-------------------------------|---|
| D8PR6TE | D8PA5 | D8PA1 | D8PA2 |
| D8PR7TE | D8PA5 | D8PA1 | D8PA2 |

D8 Series Relay



D8 Series ②

| Type | Standard Pack | Catalog Number |
|--------------------------|---------------|------------------|
| SPST E-Bracket | | |
| Coil voltage | | |
| 24 Vac | 1 | D8PR6TET |
| 24 Vdc | 1 | D8PR6TET1 |
| SPST Flange Mount | | |
| 120 Vac | 1 | D8PR6TFA |
| 24 Vdc | 1 | D8PR6TFT1 |
| DPST E-Bracket | | |
| Coil voltage | | |
| 120 Vac | 1 | D8PR7TEA |
| DPST Flange Mount | | |
| 120 Vac | 1 | D8PR7TFA |
| 24 Vdc | 1 | D8PR7TFT1 |
| Sockets | | |
| DIN rail adapter | 10 | D8PA1 |
| Screw terminal adapter | 10 | D8PA2 |
| Bracket adapter | 10 | D8PA5 |
| Accessory | | |
| DIN rail end stop | 100 | PFP-M |

Notes

- ① For deciphering catalog numbers. Do not use for ordering as not all combinations are readily available.
- ② Additional coil voltages available—consult Sales Office or Customer Support Center.

Technical Data and Specifications

Coil Resistance

| Coil Voltage | Ohms | mA |
|--------------|--------|------|
| 24 Vac | 303 | 71 |
| 110/120 Vac | 5260 | 20.4 |
| 220/240 Vac | 21,000 | 10.2 |
| 12 Vdc | 75 | 158 |
| 24 Vdc | 303 | 79 |

D8 Relays

| Description | D8PR6 | D8PR7 |
|---|--|--|
| Rated load | 220 Vac 30 A | 220 Vac 25 A |
| Carry current | 30 A | 25 A |
| Max. operating voltage | 250 Vac | 250 Vac |
| Max. switching current | 30 A | 25 A |
| Contact material | AgCdO | AgCdO |
| Max. switching capacity | 6600 VA | 5500 VA |
| Min. permissible load | 100 mA at 5 Vdc | 100 mA at 5 Vdc |
| Mechanical life (min.) | 5,000,000 operations | 5,000,000 operations |
| Electrical life at all contact ratings (min.) | 100,000 operations | 100,000 operations |
| Maximum hp ratings | 1-1/2 hp (120 Vac) 3 hp (240/265/277 Vac) | 1-1/2 hp (120 Vac) 3 hp (240/265/277 Vac) |

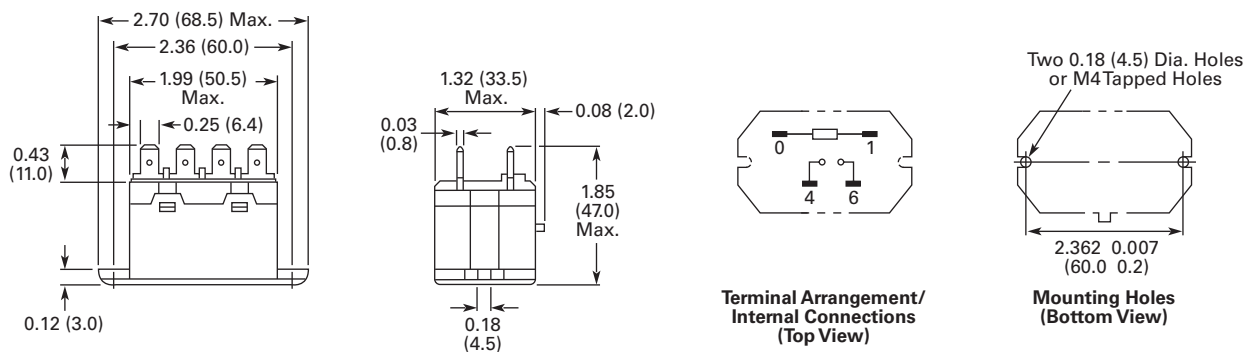
Coil Data

| Coil Voltage | Must Operate | Must Release | Maximum Voltage |
|--------------------|--------------|--------------|-----------------|
| 24 Vdc/Vac, 12 Vdc | 75% maximum | 15% minimum | 110% |
| 120 Vac | 75 V | 18 V | 132 V |
| 240 Vac | 150 V | 36 V | 264 V |

Dimensions

Approximate Dimensions in Inches (mm)

D8PR6TF



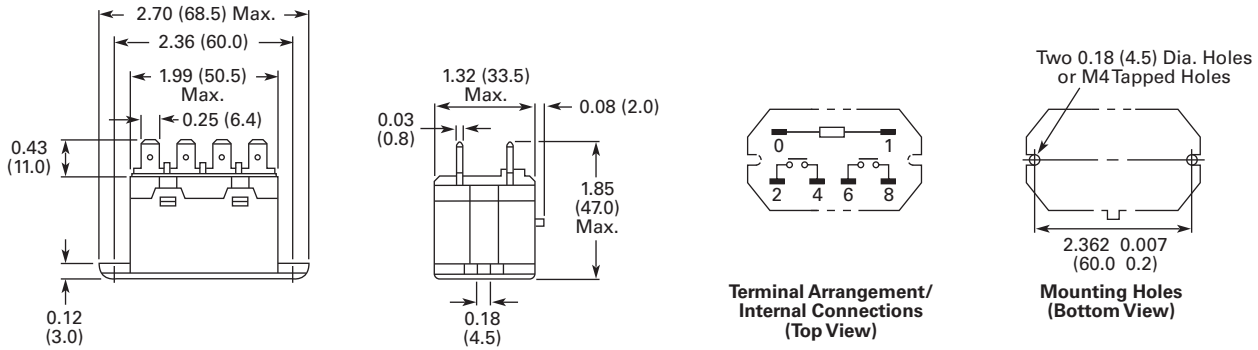
3.4

Control Relays and Timers

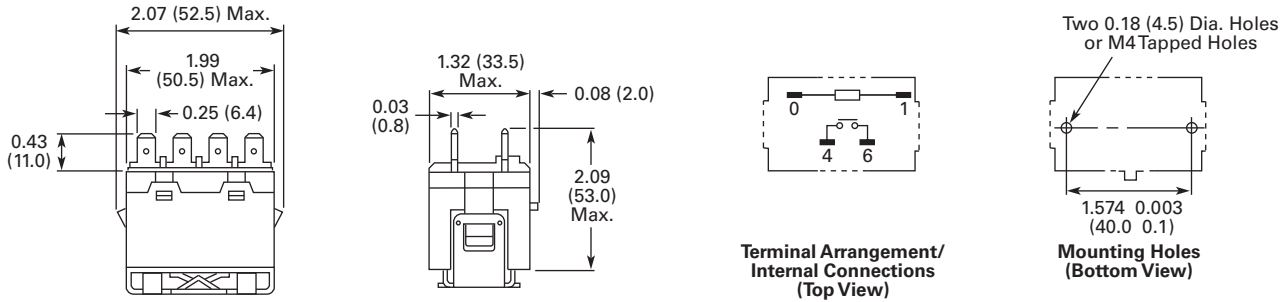
General Purpose Plug-In Relays

Approximate Dimensions in Inches (mm)

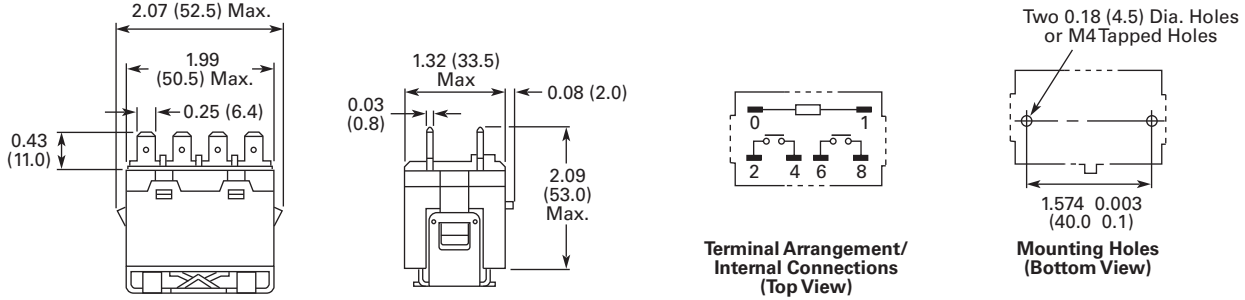
D8PR7TF



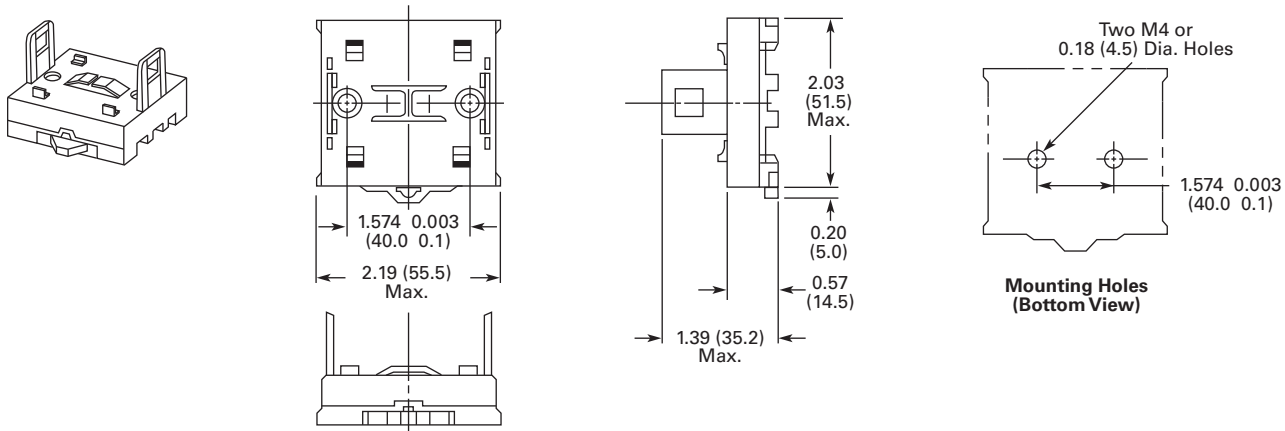
D8PR6TE with D8PA5 Bracket Attached



D8PR7TE with D8PA5 Bracket Attached



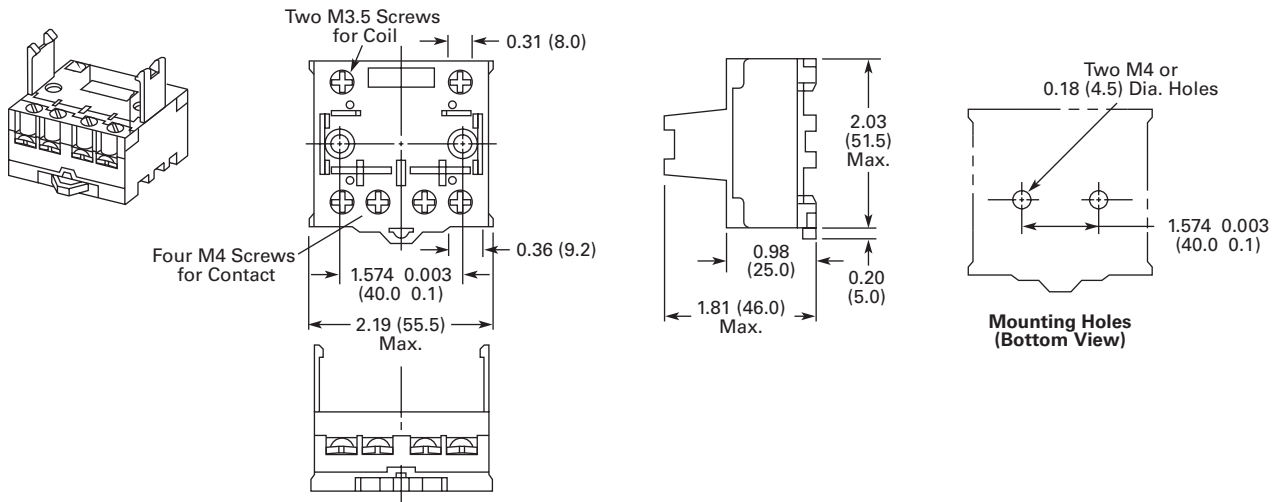
D8PA1



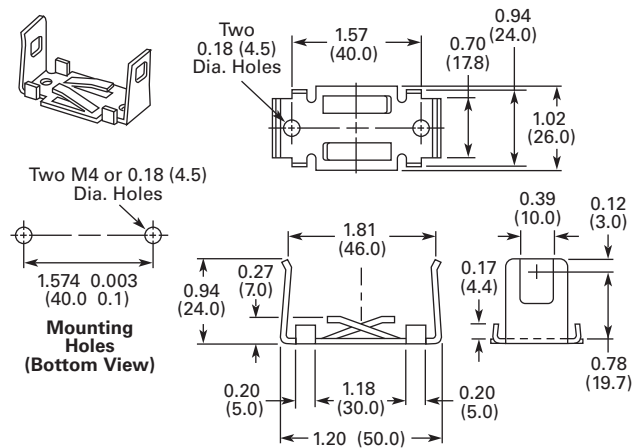
Note: Minimum spacing around relay = 0.20 inches (5 mm).

Approximate Dimensions in Inches (mm)

D8PA2



D8PA5



PFP-M DIN Rail End Stop

