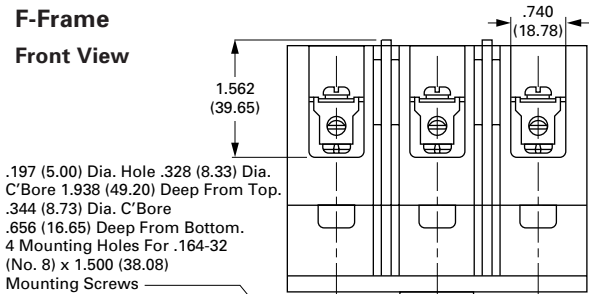


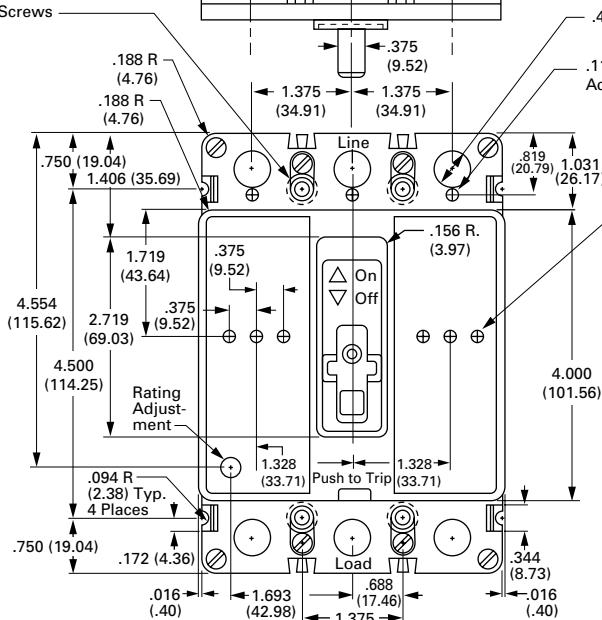
October 1997
Mailed to: E, D, C/29-100A

Series C[®] HMCP Motor Circuit Protectors 3-600 Amperes

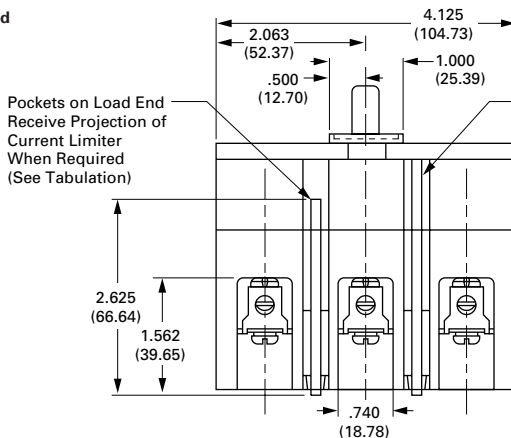
F-Frame Front View



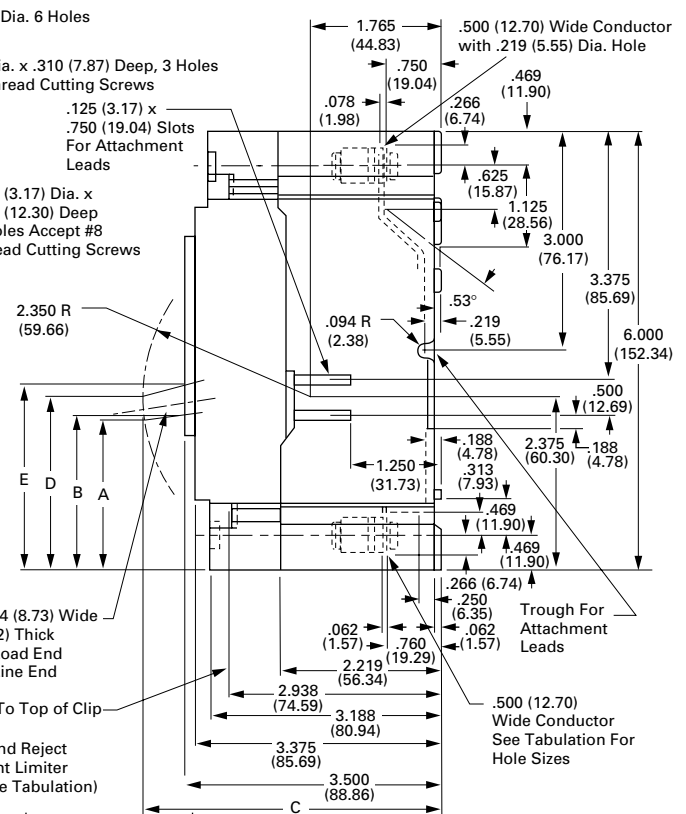
Line End



Load End



Side View



MCP Continuous Rating	Hole Size			Current Limiter Pockets
	.203 (5.15)	.234 (5.94)	.266 (6.75)	
3	X			N
5	X			N
7	X			N
10	X			Y
15	X			Y
25		X		N
30		X		N
50		X		Y
70		X		Y
100			X	N
150			X	Y

Breaker Status	Dimension				
	A	B	C	D	E
On	3.07 (77.94)	2.92 (74.13)	3.96 (100.54)	3.40 (86.32)	3.33 (84.54)
Tripped	2.65 (67.28)	2.57 (65.25)	4.06 (103.08)	2.99 (75.91)	2.98 (75.66)
Off	2.08 (52.81)	2.14 (54.33)	4.12 (104.60)	2.42 (61.44)	2.56 (64.99)
Reset	1.98 (50.27)	2.05 (52.04)	4.11 (104.35)	2.30 (58.39)	2.48 (62.96)

Note: For 2 Pole MCP, Current Carrying Parts Omitted From Center Pole

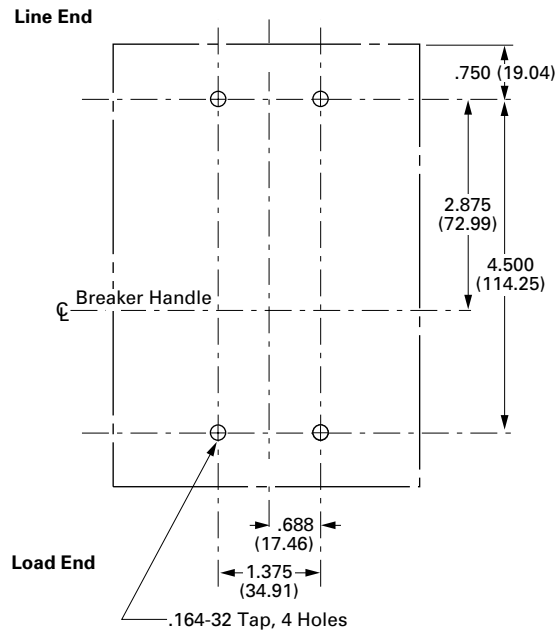
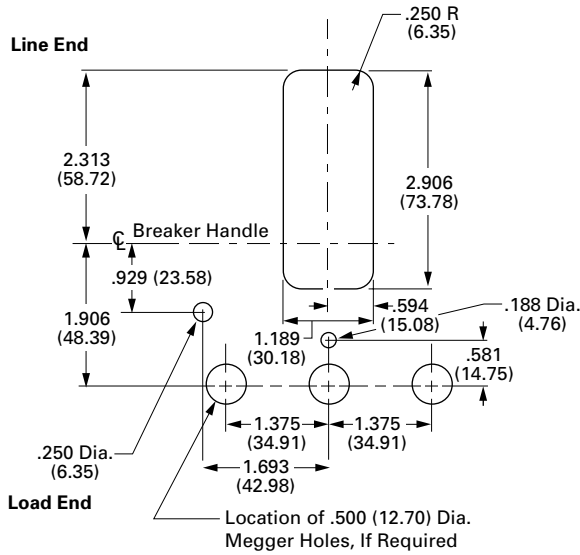


Series C HMCP Motor Circuit Protectors, 3-600 Amperes

F-Frame

Front Cover Cutout

Drilling Plans



Reproduced from drawing 1490D54

Dimensions in parentheses in millimeters

Cutler-Hammer

Westinghouse & Cutler-Hammer Products
 Five Parkway Center
 Pittsburgh, Pennsylvania, U.S.A. 15220

