



<b>Catalog Number</b> <sup>①</sup>	<b>W</b>	<b>H</b>	<b>D</b>	<b>Weight in Lbs (kg)</b>
<b>S811+N37N3S</b>	2.66 (67.6)	7.37 (187.2)	6.45 (163.9)	5.8 (2.6)
<b>S811+N66N3S</b>	2.66 (67.6)	7.37 (187.2)	6.45 (163.9)	5.8 (2.6)
<b>S811+R10N3S</b>	4.38 (111.3)	7.92 (201.1)	6.64 (168.6)	10.5 (4.8)
<b>S811+R13N3S</b>	4.38 (111.3)	7.92 (201.1)	6.64 (168.6)	10.5 (4.8)
<b>S811+T18N3S</b>	7.65 (194.4)	12.71 (322.9)	6.47 (164.4)	48 (21.8) with lugs 41 (18.6) without lugs
<b>S811+T24N3S</b>	7.65 (194.4)	12.71 (322.9)	6.47 (164.4)	48 (21.8) with lugs 41 (18.6) without lugs
<b>S811+T30N3S</b>	7.65 (194.4)	12.71 (322.9)	6.47 (164.4)	48 (21.8) with lugs 41 (18.6) without lugs
<b>S811+U36N3S</b>	7.73 (196.3)	12.72 (323.1)	7.16 (181.8)	48 (21.8) with lugs 41 (18.6) without lugs
<b>S811+U42N3S</b>	7.73 (196.3)	12.72 (323.1)	7.16 (181.8)	48 (21.8) with lugs 41 (18.6) without lugs
<b>S811+U50N3S</b>	7.73 (196.3)	12.72 (323.1)	7.16 (181.8)	48 (21.8) with lugs 41 (18.6) without lugs
<b>S811+V36N3S</b>	11.05 (280.6)	16.57 (420.8)	7.39 (187.8)	103 (46.8) with lugs 91 (41.4) without lugs
<b>S811+V42N3S</b>	11.05 (280.6)	16.57 (420.8)	7.39 (187.8)	103 (46.8) with lugs 91 (41.4) without lugs
<b>S811+V50N3S</b>	11.05 (280.6)	16.57 (420.8)	7.39 (187.8)	103 (46.8) with lugs 91 (41.4) without lugs
<b>S811+V65N3S</b>	11.05 (280.6)	16.57 (420.8)	7.39 (187.8)	103 (46.8) with lugs 91 (41.4) without lugs
<b>S811+V72N3S</b>	11.05 (280.6)	16.57 (420.8)	7.39 (187.8)	103 (46.8) with lugs 91 (41.4) without lugs
<b>S811+V85N3S</b>	11.05 (280.6)	16.57 (420.8)	7.39 (187.8)	103 (46.8) with lugs 91 (41.4) without lugs
<b>S811+V10N3S</b>	11.05 (280.6)	16.57 (420.8)	7.39 (187.8)	103 (46.8) with lugs 91 (41.4) without lugs

**Note**

① Dimensions of the frames stay consistent between the N3S, P3S, and V3S options.

# 1.2

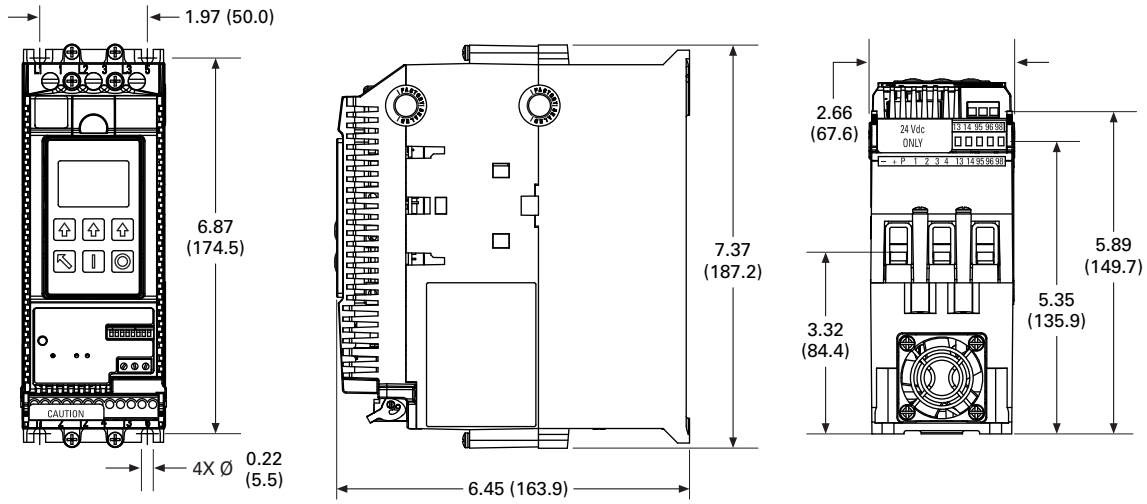
## Reduced Voltage Motor Starters

### Solid-State Starters

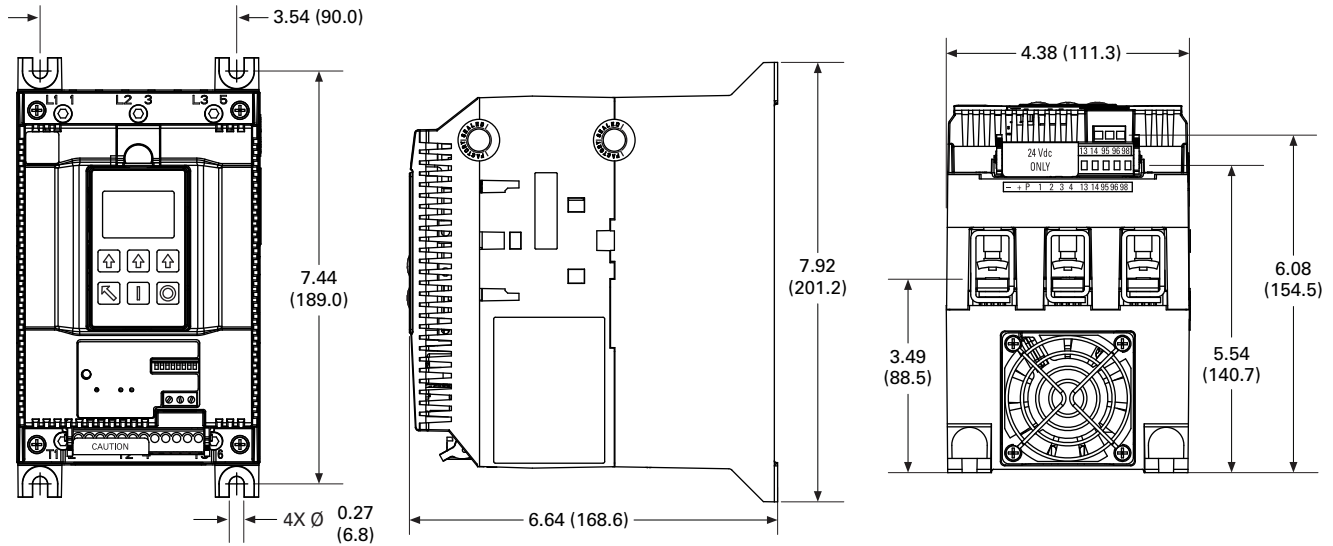
1

Approximate Dimensions in Inches (mm)

#### S811+N...

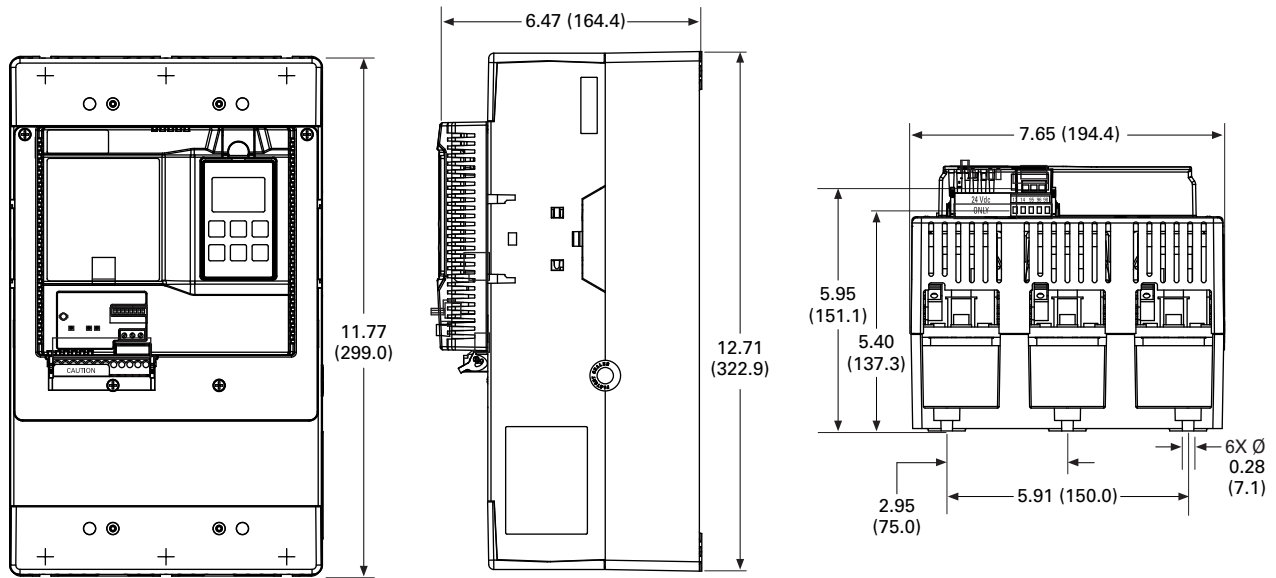


#### S811+R...

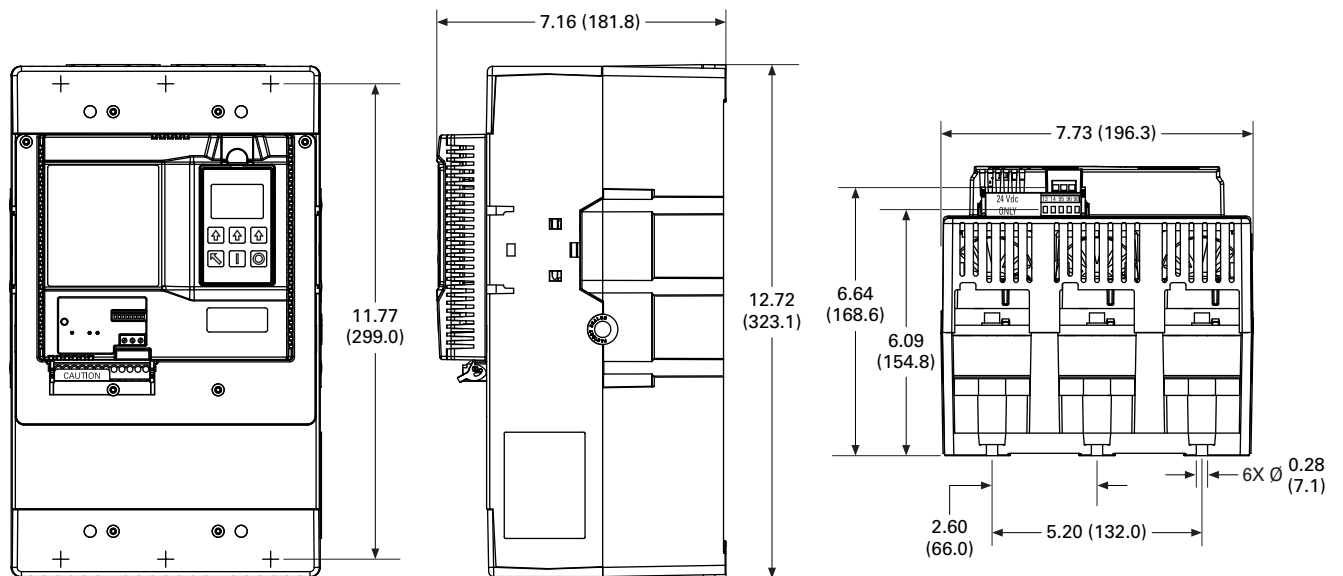


Approximate Dimensions in Inches (mm)

### S811+T...



### S811+U...



# 1.2

## Reduced Voltage Motor Starters

### Solid-State Starters

1

Approximate Dimensions in Inches (mm)

S811+V...

