

# 8.4

## Rotary Disconnects

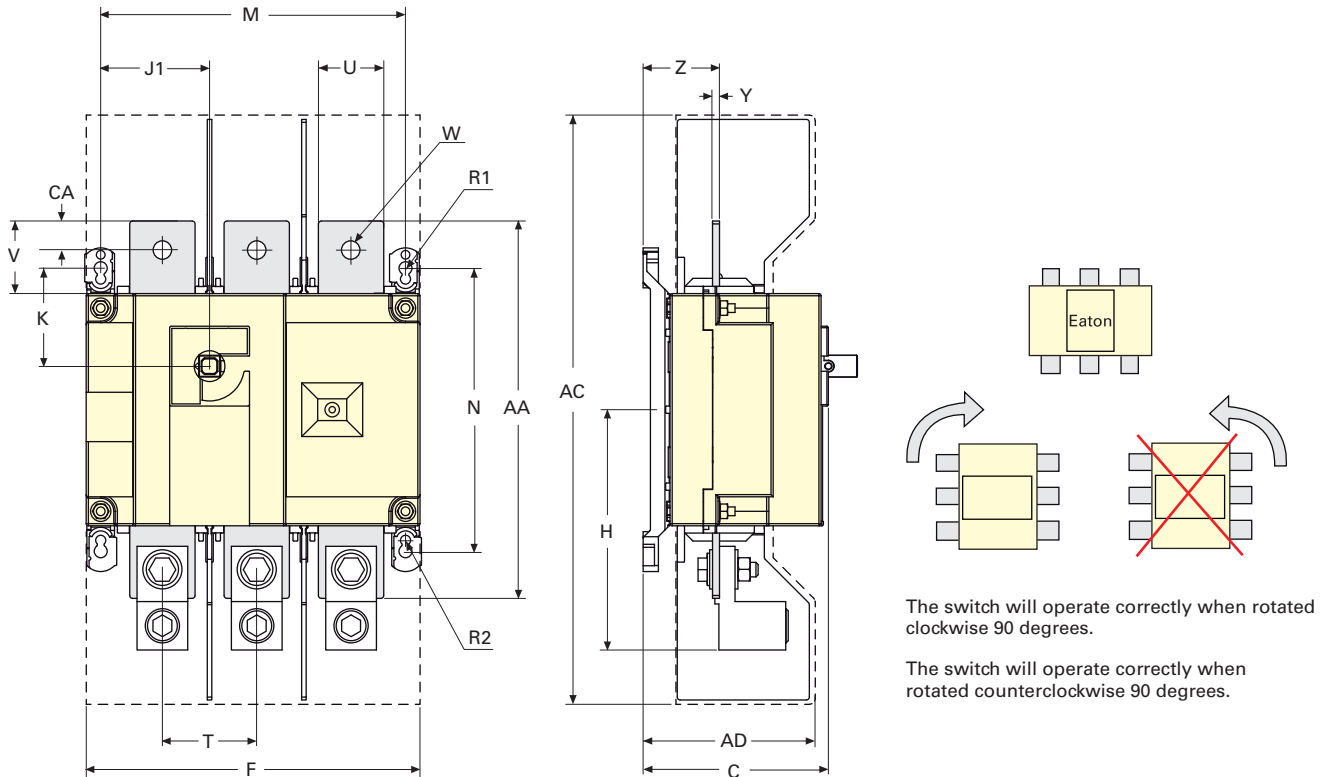
R9 Series (UL 98)

### Dimensions

Approximate Dimensions in Inches (mm)

#### R9 Series DC Rated Disconnects 100–400A

#### Front Operation



**Note**

① Terminal screens

#### R9 Series DC Rated Disconnects

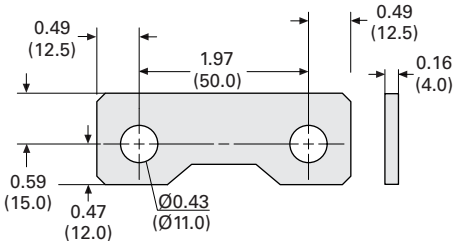
Ampere Rating	C	AC	AD	F 3P	F 4P	H	J1 3P	J1 4P	K	M 3P	M 4P
100–200	3.72 (94.5)	10.10 (256.5)	3.05 (77.5)	7.09 (180.1)	9.06 (230.0)	4.22 (107.2)	2.17 (55.1)	4.13 (104.9)	1.80 (45.7)	6.30 (160.0)	8.27 (210.1)
400	4.92 (125.0)	16.00 (406.4)	4.51 (114.5)	9.05 (230.0)	11.40 (290.0)	6.53 (166.0)	2.95 (75.7)	5.31 (134.9)	2.65 (67.3)	8.26 (209.8)	10.60 (269.2)

Ampere Rating	N	R1	R2	T	U	V	W	Y	Z	AA	CA
100–200	5.31 (135.0)	0.35 (8.9)	0.27 (6.9)	1.97 (50.0)	0.98 (24.9)	1.18 (30.0)	0.43 (10.9)	0.14 (3.6)	1.35 (34.3)	6.30 (160.0)	0.60 (15.2)
400	7.60 (193.0)	0.35 (8.9)	0.27 (6.9)	2.56 (65.0)	1.77 (45.0)	1.97 (50.0)	0.43 (10.9)	0.20 (5.1)	2.08 (52.8)	10.20 (259.1)	0.80 (20.3)

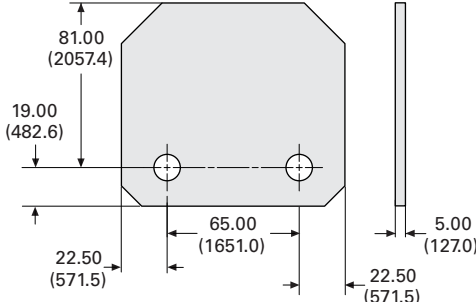
Approximate Dimensions in Inches (mm)

**Jumpers**

**100-200A**

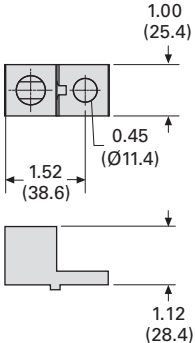


**400A**

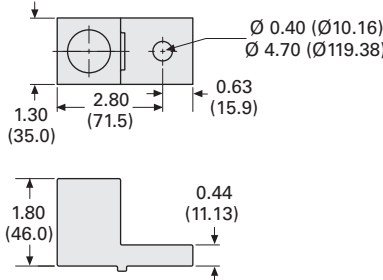


**Terminal Lugs**

**100-200A**



**400A**



# 8.4

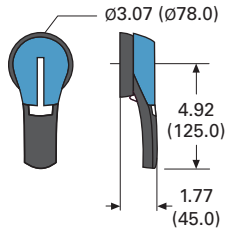
## Rotary Disconnects

R9 Series (UL 98)

Approximate Dimensions in Inches (mm)

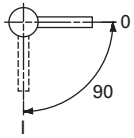
### Door Interlocked External Handle—100 to 400A, Three- and Four-Pole

#### PH2 Type Handle



### 8

#### Direction of Operation



#### Door Drilling Template

