

ELC Controllers/Modules

Table 50-14. ELC Accessories

Description	Catalog Number	Price U.S. \$
24 Watt, 1 Amp Power Supply	ELC-PS01	
48 Watt, 2 Amp Power Supply	ELC-PS02	
Hand-Held Programmer (Includes ELC-CBHHELC15)	ELC-HHP	
Cable to Connect a PC or a GP unit to ELC, 3 meters (DB9 pin female to 8 pin DIN)	ELC-CBPCELC3	
Cable to Connect a PC to a GP unit. 3 meters (DB9 pin female to DB9 pin female)	ELC-CBPCGP3	
Program transfer module for GP units	ELC-GPXFERMOD	
Program transfer module for ELC controllers	ELC-ACPGMXFR	
Plate mount for specialty modules, qty. 10	ELC-ACCOVER	
ELC Starter Kit (Includes ELC-PA10AADT, ELC-PS01, ELC-GP04, ELC-CBPCELC3, ELC-CBPCGP3, ELCSOFT, ELCSOFT GP)	ELCSTARTKIT1	

Dimensions

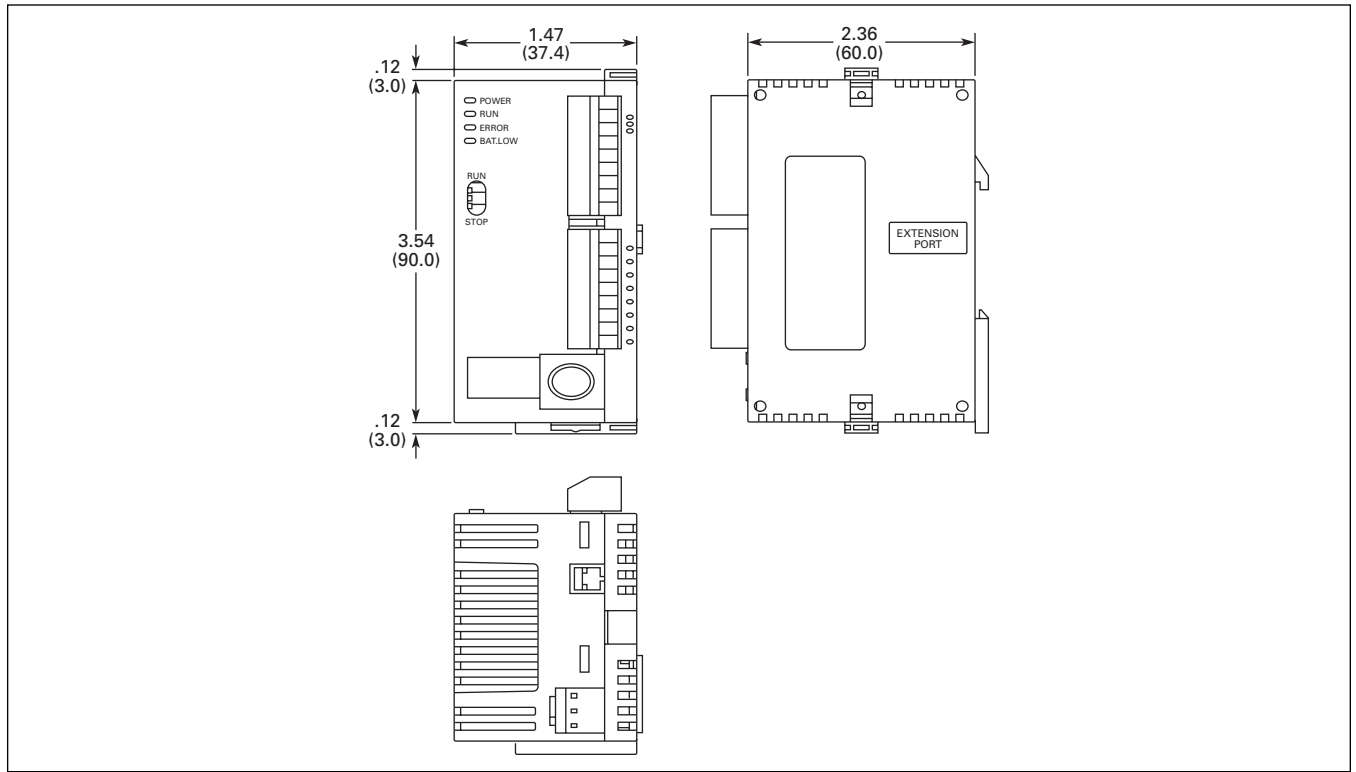


Figure 50-8. ELC-PA10, ELC-PC12 and ELC-PH12 Controllers — Approximate Dimensions in Inches (mm)

ELC Controllers/Modules

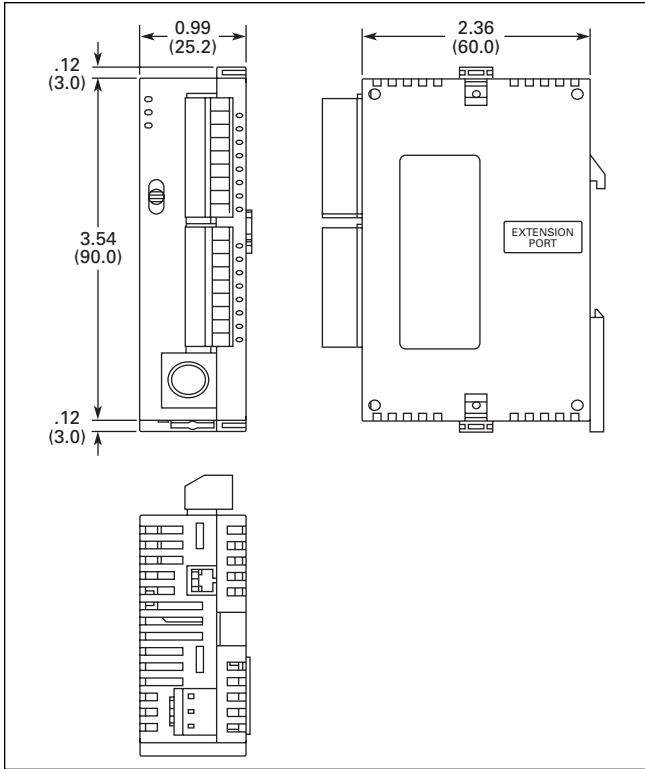


Figure 50-9. ELC-PB14 Controllers — Approximate Dimensions in Inches (mm)

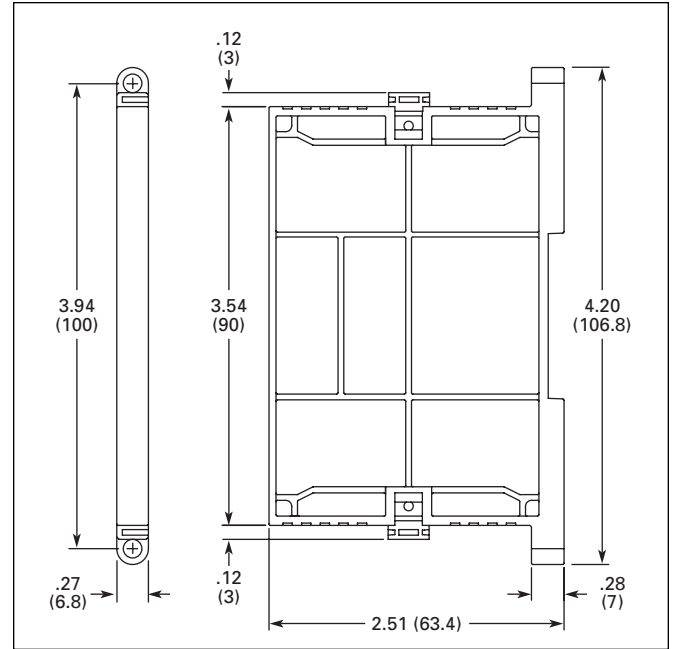


Figure 50-11. Plate Mount for Specialty Modules

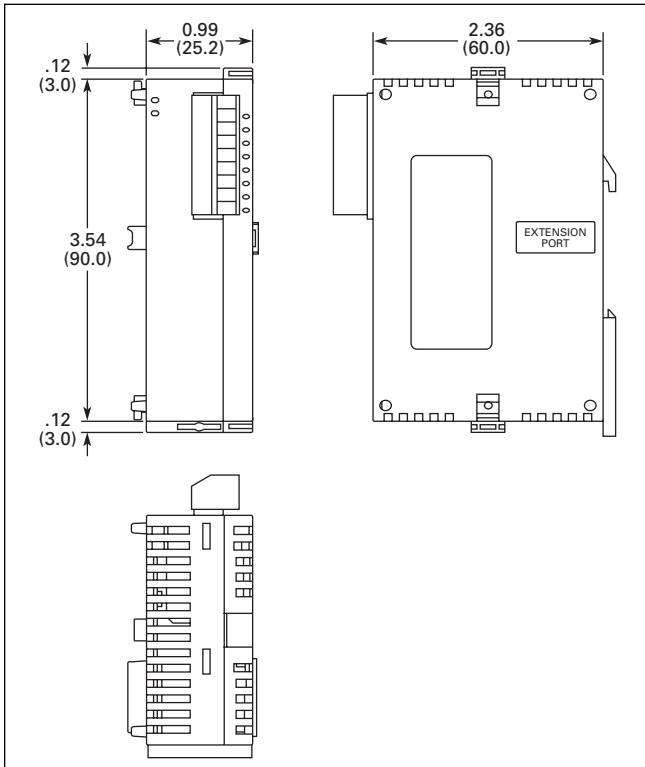


Figure 50-10. ELC Specialty Module — Approximate Dimensions in Inches (mm)

ELC Controllers/Modules

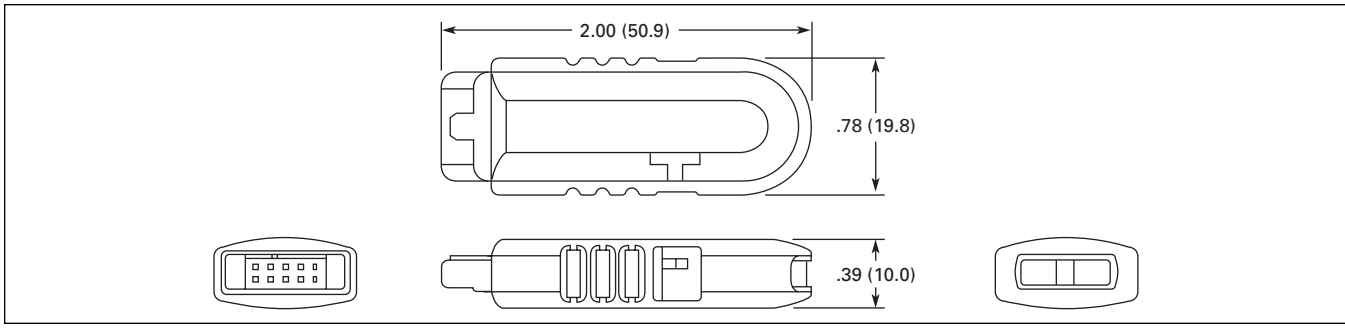


Figure 50-12. ELC-GPXFERMOD — Approximate Dimensions in Inches (mm)

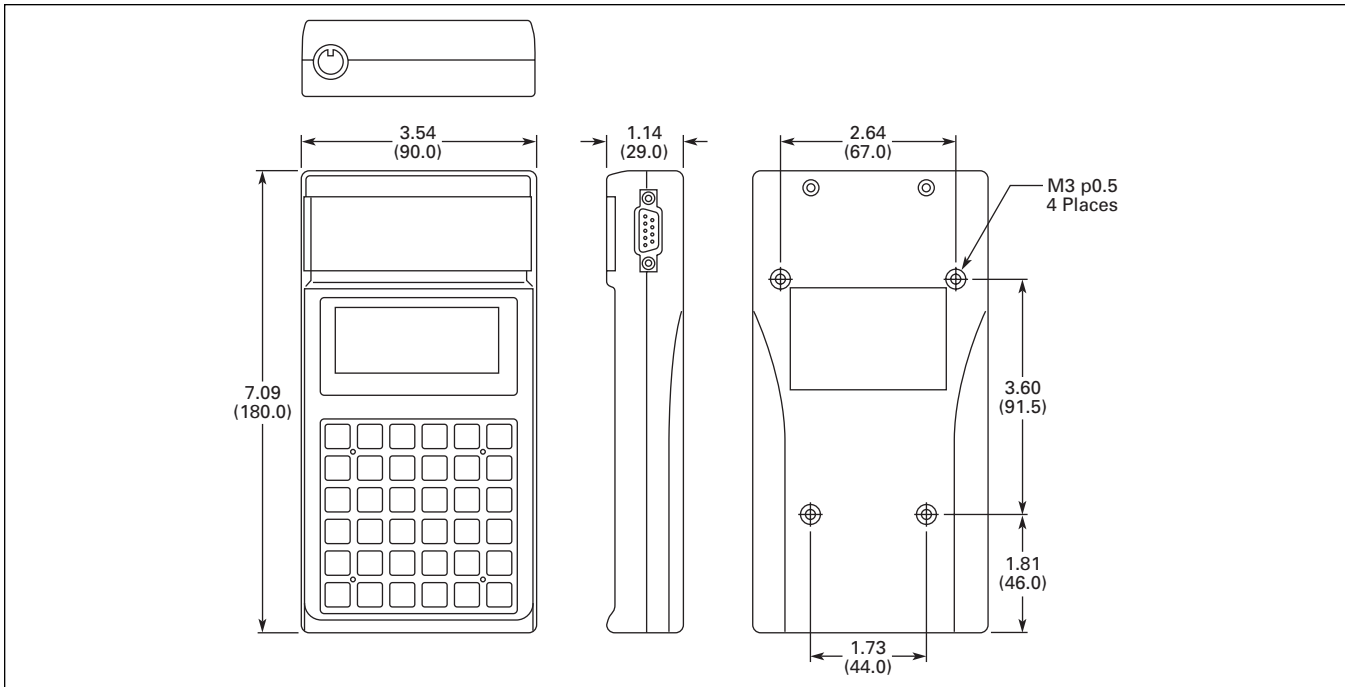


Figure 50-13. ELC-HHP — Approximate Dimensions in Inches (mm)

ELC Controllers/Modules

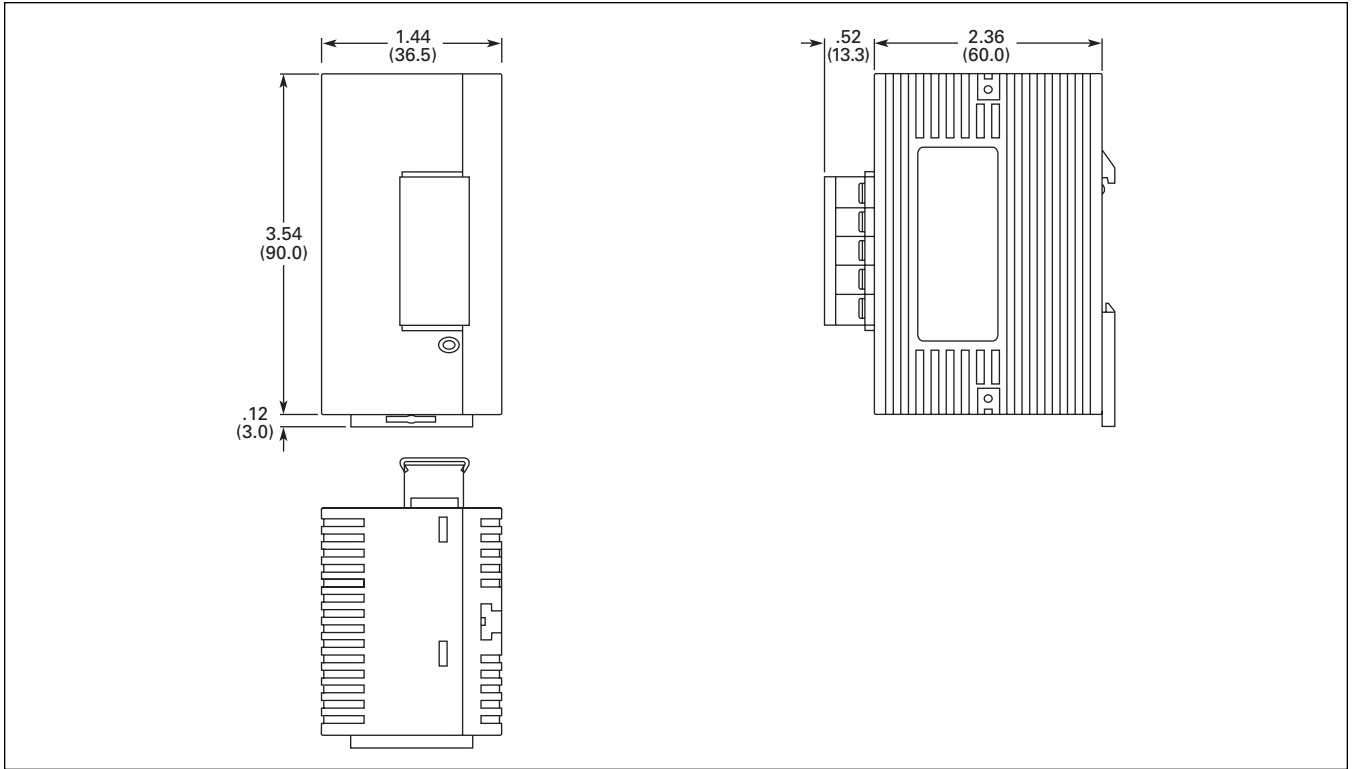


Figure 50-14. ELC-PS01 Power Supply — Approximate Dimensions in Inches (mm)

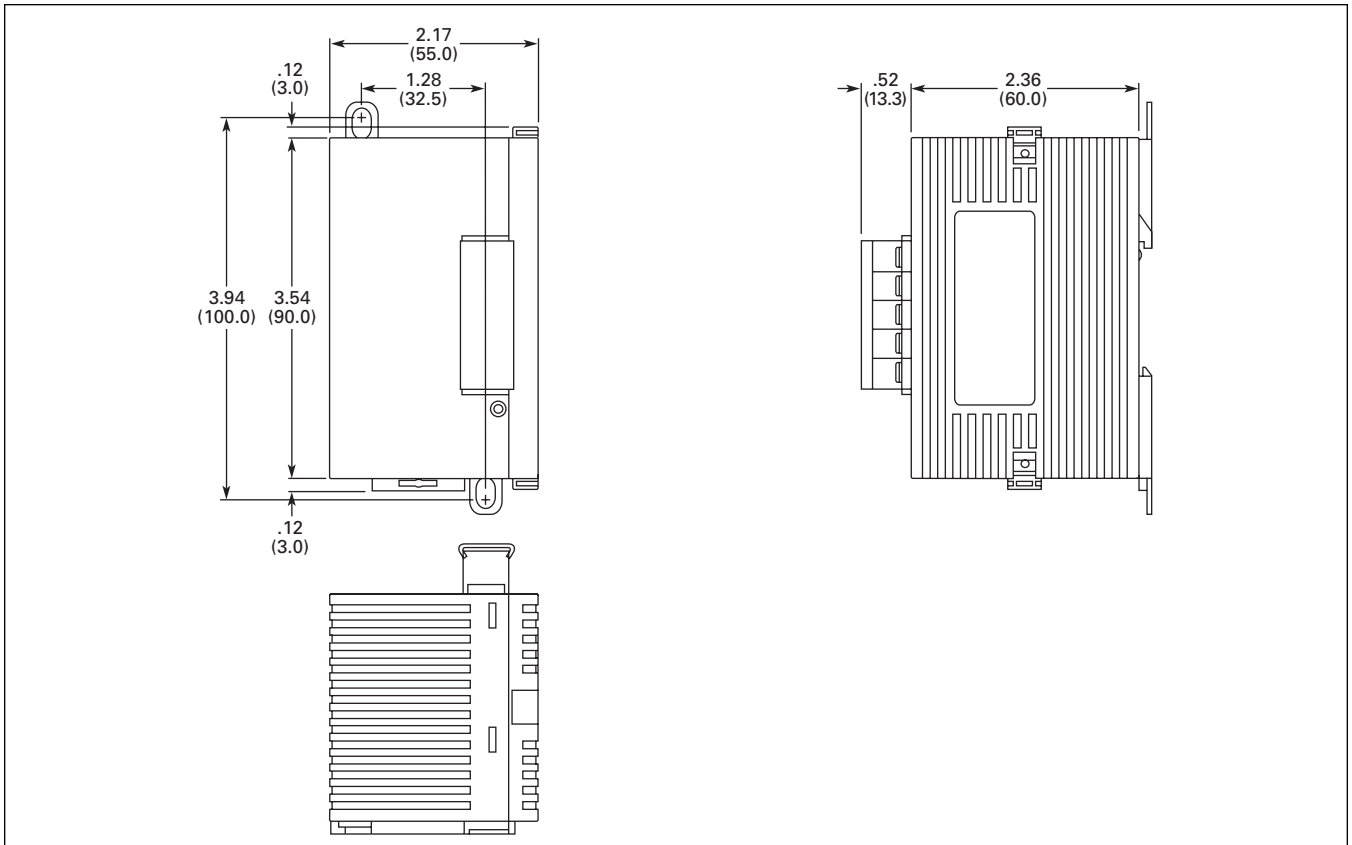


Figure 50-15. ELC-PS02 Power Supply — Approximate Dimensions in Inches (mm)