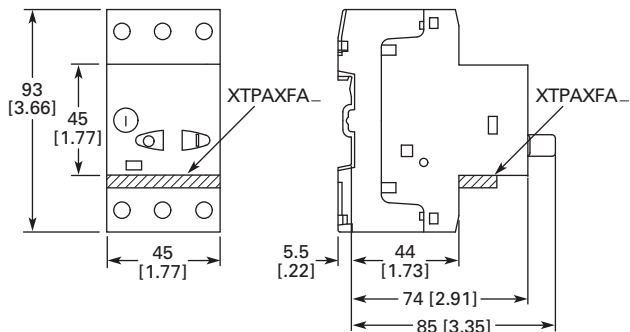


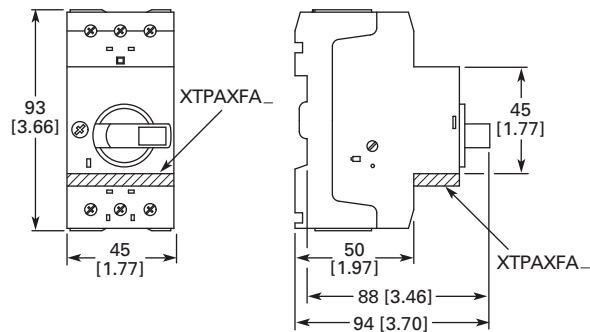
Dimensions

Approximate Dimensions in mm [in]

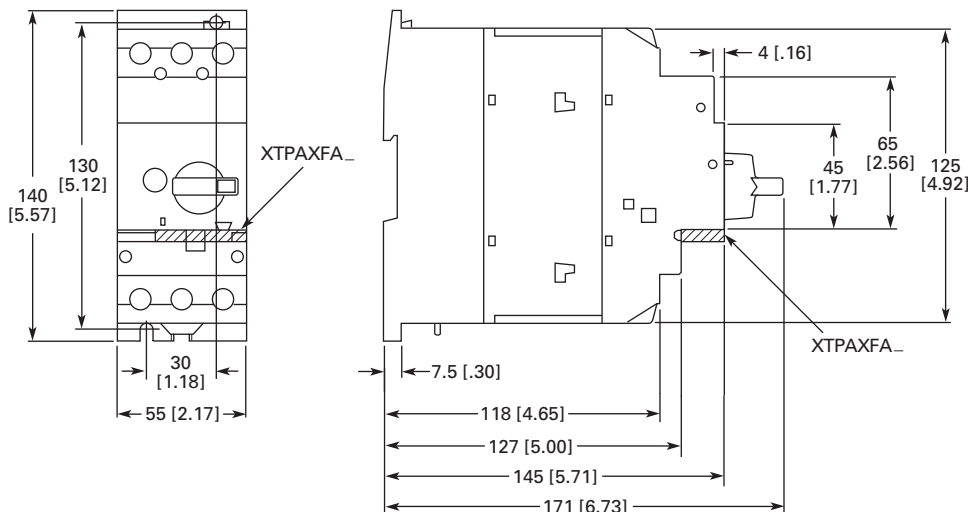
Manual Motor Protectors—XTPB



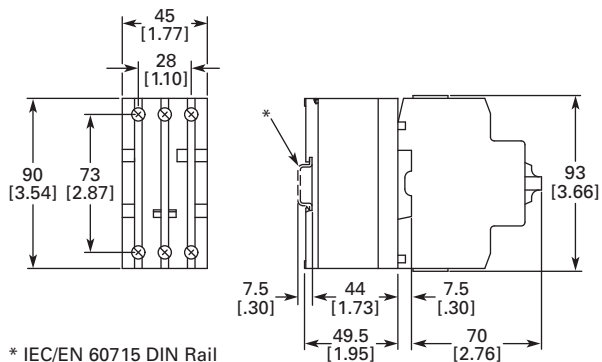
Manual Motor Protectors, Manual Transformer Protectors—XTPR...B



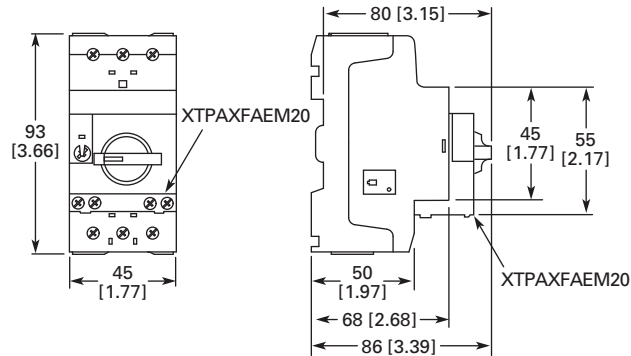
Manual Motor Protector—XTPR...DC1



Current Limiter—XTPAXCL



MMPs with Early-Make Auxiliary Contacts—XTPR...BC1 + XTPAXFAEM20



27.1

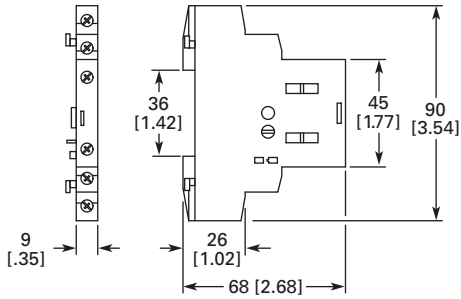
IEC Contactors and Starters

XT IEC Power Control

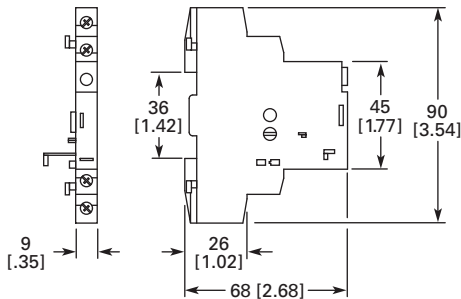
27

Approximate Dimensions in mm [in]

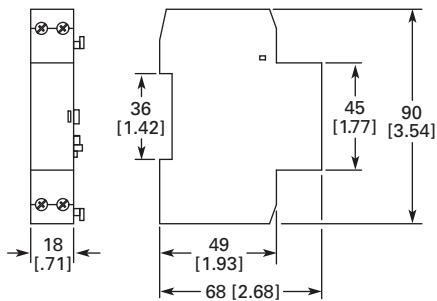
Standard Auxiliary Contact—XTPAXSA_



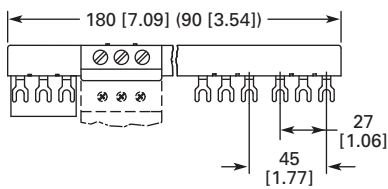
Trip Indicating Auxiliary Contact—XTPAXSATR_



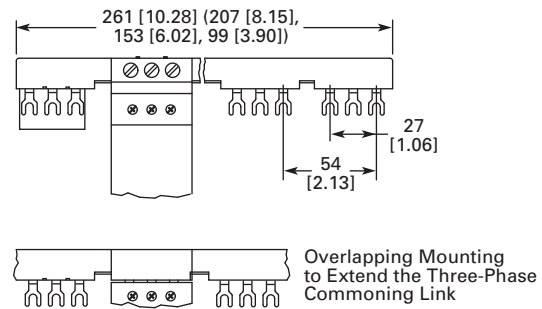
Undervoltage/Shunt Release—XTPAXUVR_, XTPAXSR_



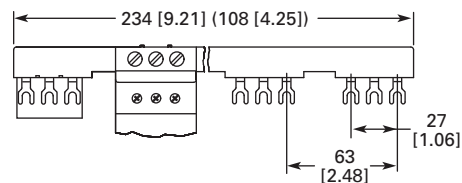
Three-Phase Commoning Link—XTPAXCLKA4, XTPAXCLKA2



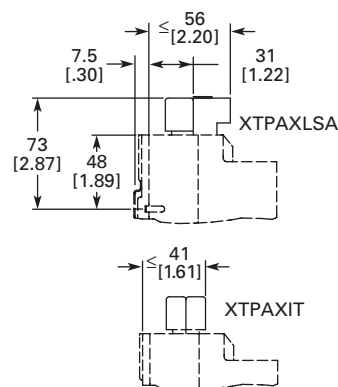
Three-Phase Commoning Link—XTPAXCLKB5, XTPAXCLKB4, XTPAXCLKB3 and XTPAXCLKB2



Three-Phase Commoning Link—XTPAXCLKC4, XTPAXCLKC2



Incoming Terminal, Line Side Adapter—XTPAXIT, XTPAXLSA

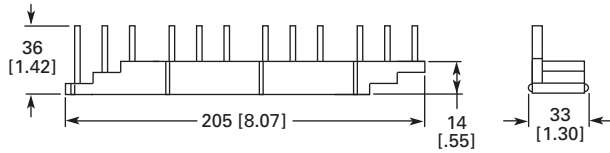


Approximate Dimensions in mm [in]

Three-Phase Commoning Link

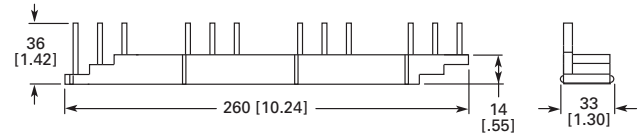
XTPAXCLKA4D, XTPAXCLKA3D and XTPAXCLKA2D

XTPAXCLKA4D

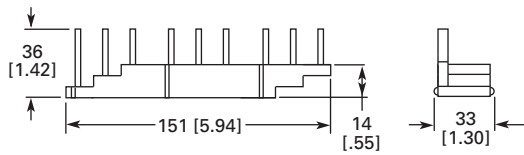


XTPAXCLKC4D and XTPAXCLKC2D

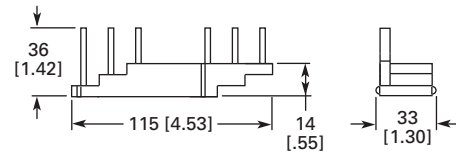
XTPAXCLKC4D



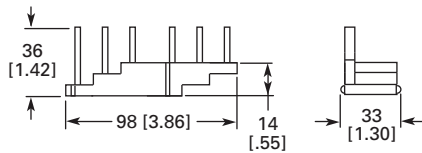
XTPAXCLKA3D



XTPAXCLKC2D

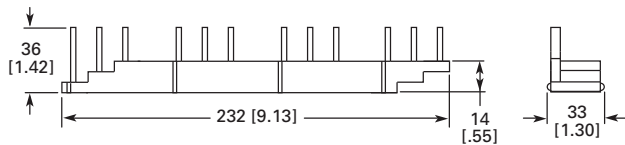


XTPAXCLKA2D

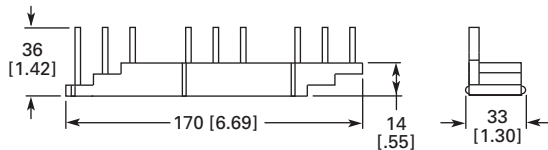


XTPAXCLKB4D, XTPAXCLKB3D and XTPAXCLKB2D

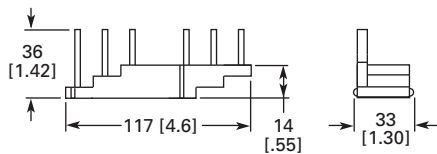
XTPAXCLKB4D



XTPAXCLKB3D

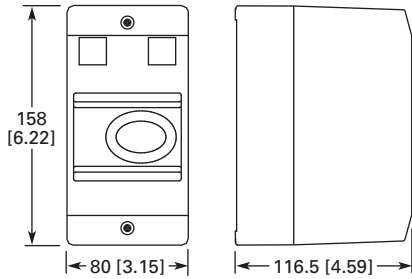


XTPAXCLKB2D

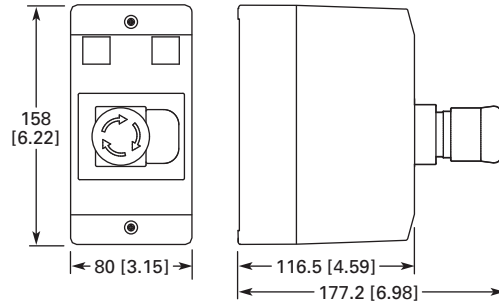


Approximate Dimensions in mm [in]

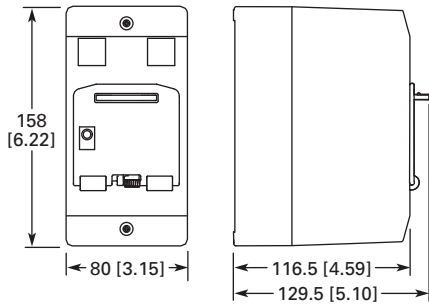
Insulated Enclosures for Surface Mounting of XTPB Manual Motor Protectors



XTPBXENCS40, XTPBXENCS65, XTPBXENAS41, XTPBXENAS65

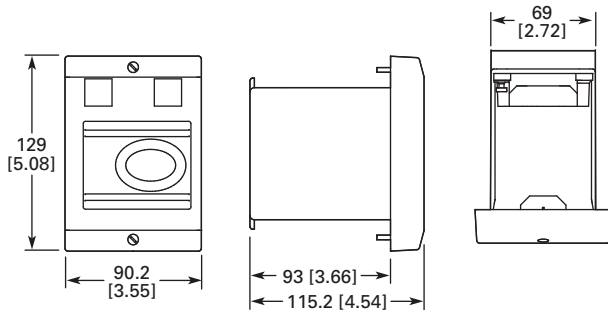


XTPBXENCSEK65, XTPBXENCSES65, XTPBXENASEK65, XTPBXENASES65

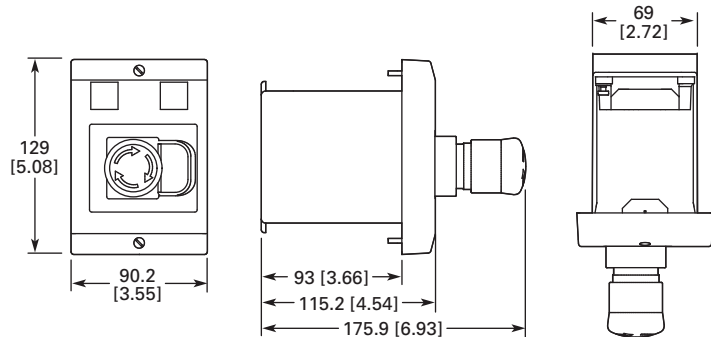


XTPBXENCSL65, XTPBXENCSL065, XTPBXENASL65, XTPBXENAS0065

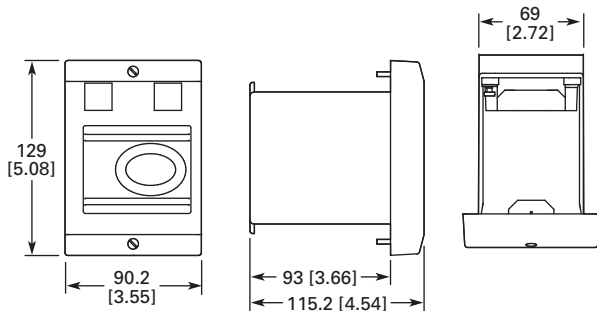
Insulated Enclosures for Flush Mounting of XTPB Manual Motor Protectors



XTPBXENCF40, XTPBXENCF55



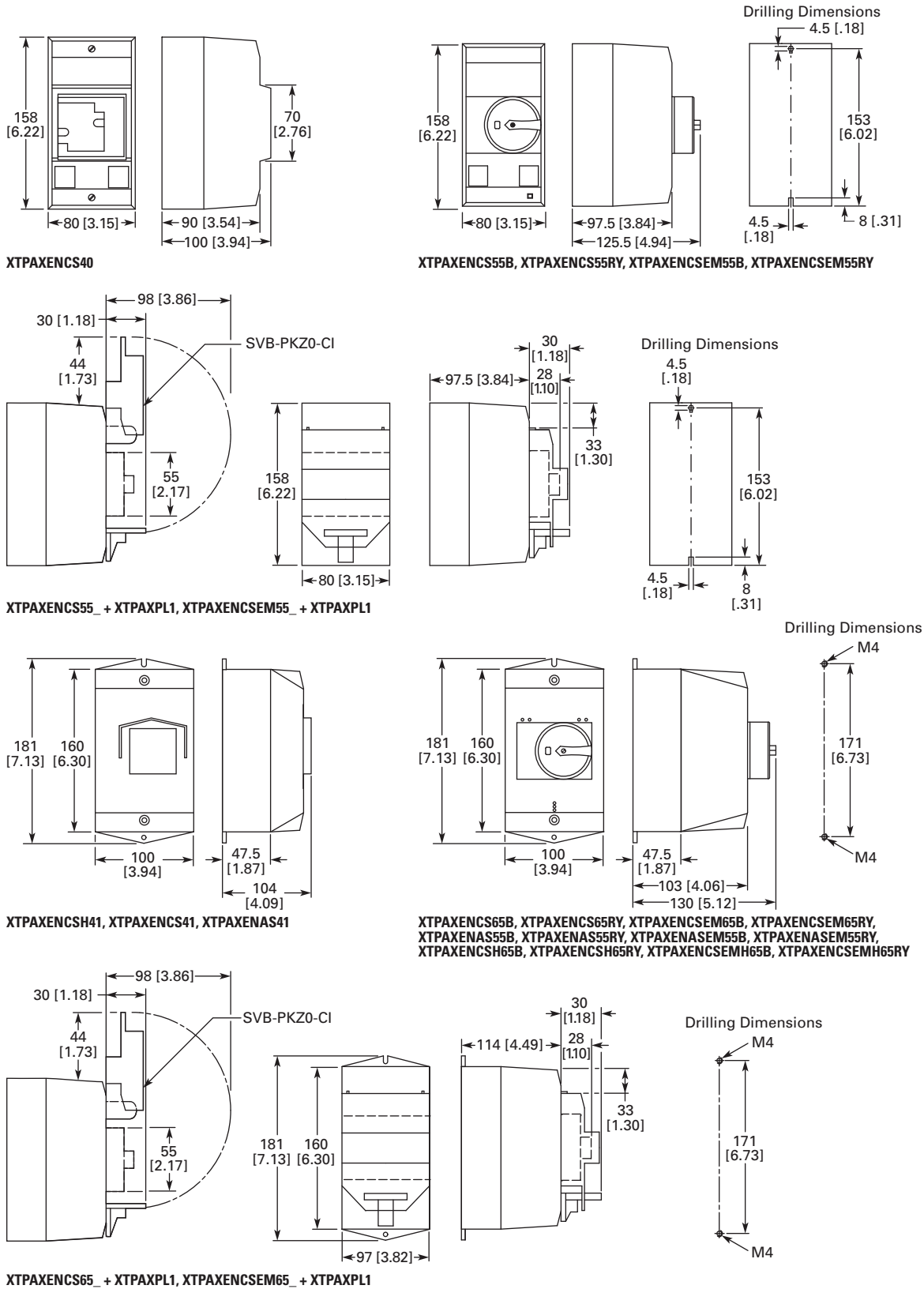
XTPBXENCFEK55, XTPBXENCSES55



XTPBXENCFL65, XTPBXENCFL055

Approximate Dimensions in mm [in]

Insulated Enclosures for Surface Mounting of XTPR...B Manual Motor Protectors



27.1

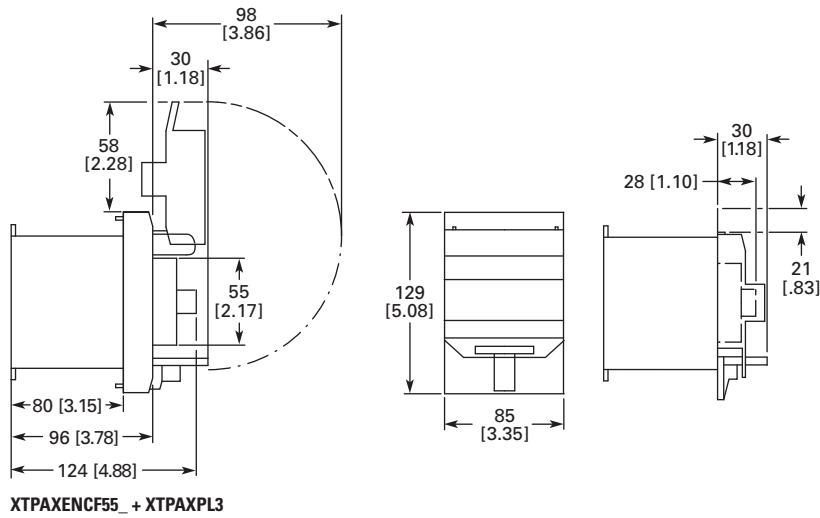
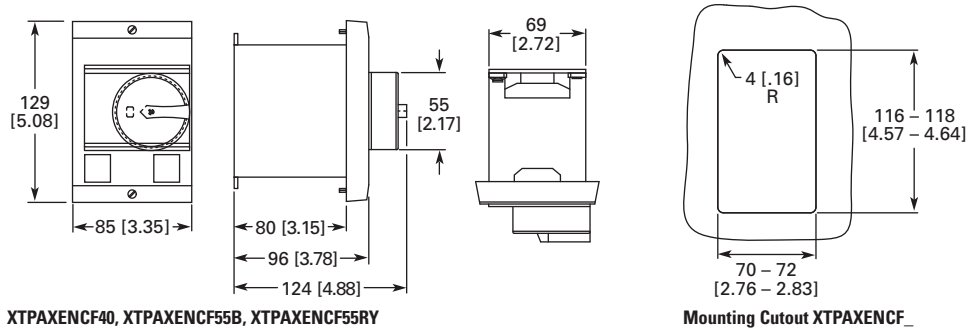
IEC Contactors and Starters

XT IEC Power Control

27

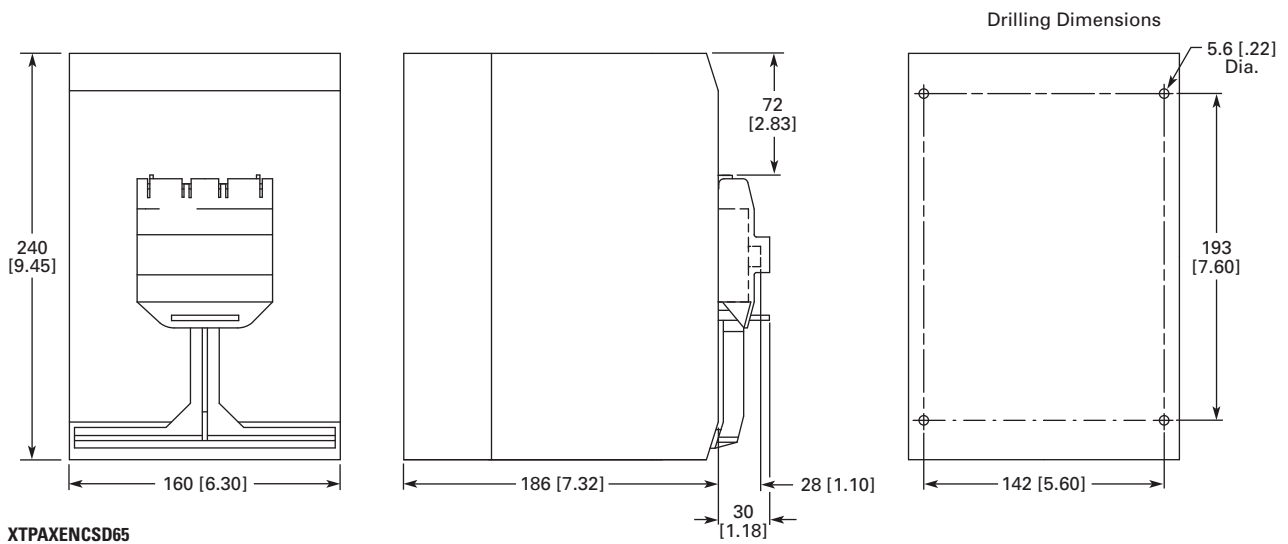
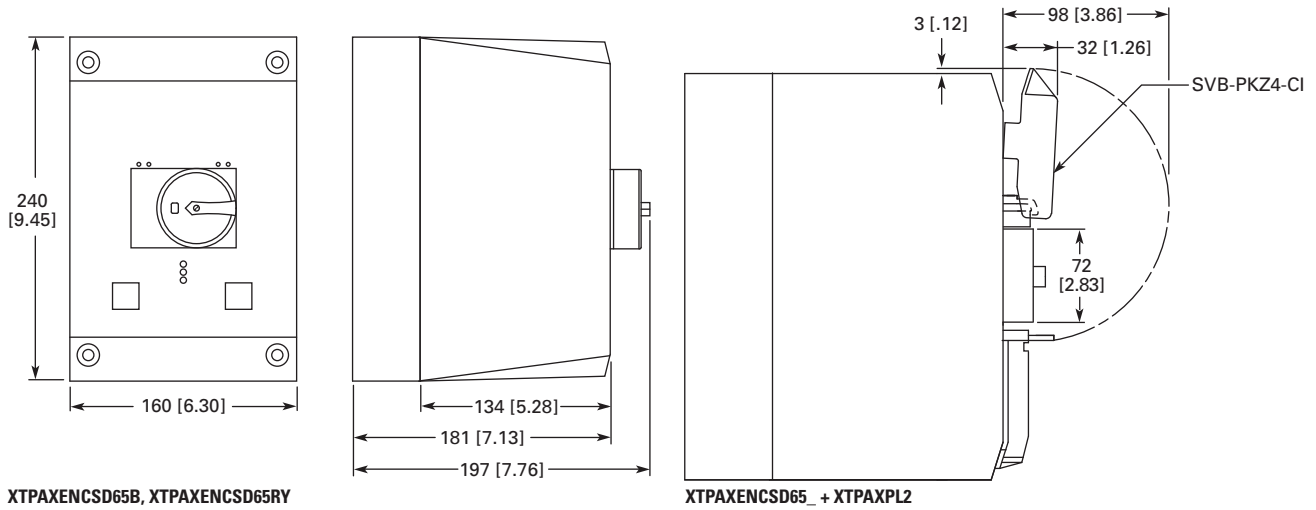
Approximate Dimensions in mm [in]

Insulated Enclosures for Flush Mounting of XTPR...B Manual Motor Protectors

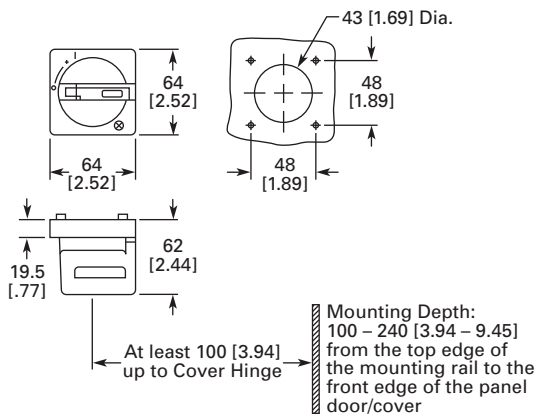


Approximate Dimensions in mm [in]

Insulated Enclosures for Surface Mounting of XTPR...D Manual Motor Protectors



Rotary Handle Mechanism—XTPAXRHM_



Approximate Dimensions in mm [in]

Pushbutton MMP Enclosures**Insulated Enclosures for Surface Mounting****XTPB Pushbutton Motor-Protective Circuit Breakers**

Catalog Number	H x W x D
Global Usage	
XTPBXENCS40	158 x 80 x 116.5 [6.22 x 3.15 x 4.59]
XTPBXENCS65	158 x 80 x 116.5 [6.22 x 3.15 x 4.59]
XTPBXENCSLO65	158 x 80 x 129.5 [6.22 x 3.15 x 5.10]
XTPBXENCSLE65	158 x 80 x 129.5 [6.22 x 3.15 x 5.10]
XTPBXENCSSES65	158 x 80 x 177.2 [6.22 x 3.15 x 6.98]
XTPBXENCSSEK65	158 x 80 x 177.2 [6.22 x 3.15 x 6.98]

XTPB Pushbutton Manual Motor Protectors

Catalog Number	H x W x D
North American Usage	
XTPBXENAS41	158 x 80 x 116.5 [6.22 x 3.15 x 4.59]
XTPBXENAS65	158 x 80 x 116.5 [6.22 x 3.15 x 4.59]
XTPBXENASLO65	158 x 80 x 129.5 [6.22 x 3.15 x 5.10]
XTPBXENASLE65	158 x 80 x 129.5 [6.22 x 3.15 x 5.10]
XTPBXENASES65	158 x 80 x 177.2 [6.22 x 3.15 x 6.98]
XTPBXENASEK65	158 x 80 x 177.2 [6.22 x 3.15 x 6.98]

Frame B (0.1–32A) XTPR Motor-Protective Circuit Breakers

Catalog Number	H x W x D
Global Usage	
XTPAXENCS41	160 x 100 x 104 [6.30 x 3.94 x 4.09]
XTPAXENCS65B	160 x 100 x 130 [6.30 x 3.94 x 5.12]
XTPAXENCS65RY	160 x 100 x 130 [6.30 x 3.94 x 5.12]
XTPAXENCS40	158 x 80 x 100 [6.22 x 3.15 x 3.94]
XTPAXENCS55B	158 x 80 x 125.5 [6.22 x 3.15 x 4.94]
XTPAXENCS55RY	158 x 80 x 125.5 [6.22 x 3.15 x 4.94]

Frame B (0.1–32A) XTPR Rotary Manual Motor Protectors

Catalog Number	H x W x D
North American Usage	
XTPAXENAS55B	160 x 100 x 130 [6.30 x 3.94 x 5.12]
XTPAXENAS55RY	160 x 100 x 130 [6.30 x 3.94 x 5.12]

Frame B XTPR (0.1–32A) Rotary Motor-Protective Circuit Breakers with XTPAXFAEM20 Early-Make Front-Mount Auxiliary Contact

Catalog Number	H x W x D
Global Usage	
XTPAXENCSEM65B	160 x 100 x 130 [6.30 x 3.94 x 5.12]
XTPAXENCSEM65RY	160 x 100 x 130 [6.30 x 3.94 x 5.12]
XTPAXENCSEM55B	158 x 80 x 100 [6.22 x 3.15 x 3.94]
XTPAXENCSEM55RY	158 x 80 x 100 [6.22 x 3.15 x 3.94]

Frame B XTPR (0.1–32A) Rotary Manual Motor Protectors with XTPAXFAEM20 Early-Make Front-Mount Auxiliary Contact

Catalog Number	H x W x D
North American Usage	
XTPAXENCSEM55B	160 x 100 x 130 [6.30 x 3.94 x 5.12]
XTPAXENCSEM55RY	160 x 100 x 130 [6.30 x 3.94 x 5.12]

Frame D (10–65A) Rotary Motor-Protective Circuit Breakers

Catalog Number	H x W x D
Global and North American Usage	
XTPAXENCSD65B	240 x 160 x 197 [9.45 x 6.30 x 7.76]
XTPAXENCSD65RY	240 x 160 x 197 [9.45 x 6.30 x 7.76]

Insulated Enclosures for Flush Mounting**XTPB Pushbutton Manual Motor Protectors**

Catalog Number	H x W x D
Global and North American Usage	
XTPBXENCF40	129 x 90.2 x 115.2 [5.08 x 3.55 x 4.54]
XTPBXENCF55	129 x 90.2 x 115.2 [5.08 x 3.55 x 4.54]
XTPBXENCFLO55	129 x 90.2 x 115.2 [5.08 x 3.55 x 4.54]
XTPBXENCFLE55	129 x 90.2 x 115.2 [5.08 x 3.55 x 4.54]
XTPBXENCFES55	129 x 90.2 x 175.9 [5.08 x 3.55 x 6.93]
XTPBXENCFEK55	129 x 90.2 x 175.9 [5.08 x 3.55 x 6.93]

Frame B (0.1–32A) XTPR Rotary Manual Motor Protectors

Catalog Number	H x W x D
Global Usage	
XTPAXENCF40	129 x 85 x 96 [5.08 x 3.35 x 3.78]
XTPAXENCF55B	129 x 85 x 124 [5.08 x 3.35 x 4.88]
XTPAXENCF55RY	129 x 85 x 124 [5.08 x 3.35 x 4.88]