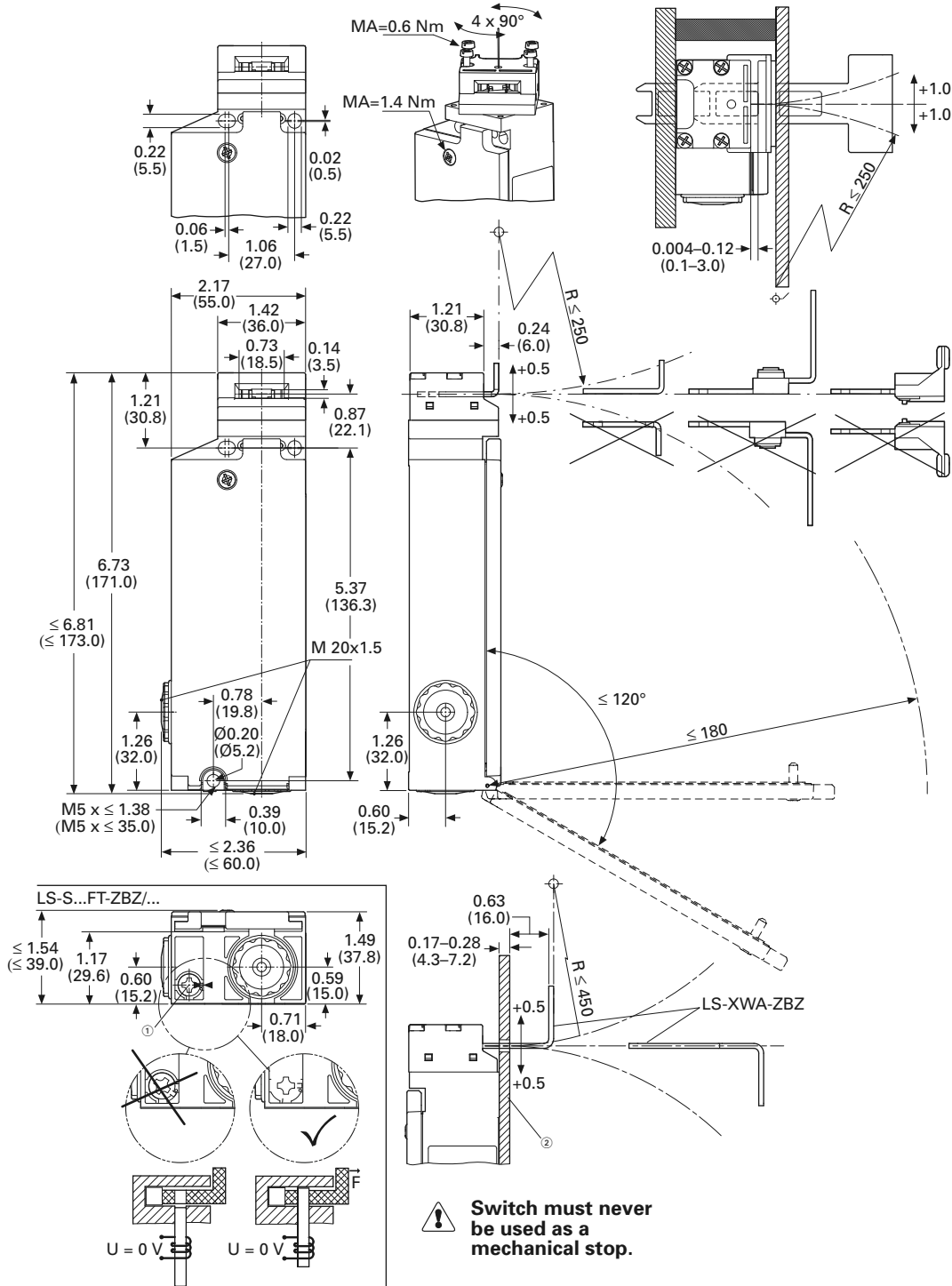


Dimensions

Approximate Dimensions in Inches (mm)

Safety Position Switches

LS...-ZB



Notes

- ① The auxiliary release mechanism must be sealed for proper operation.
- ② Can be used as stop with the corresponding material selection and design.

1.1

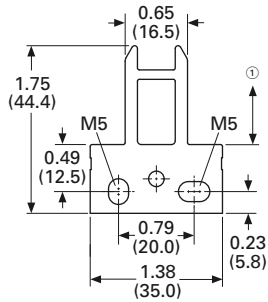
Safety Products

LS-Titan Safety Interlock Switches

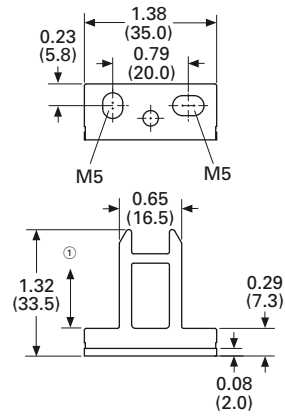
Approximate Dimensions in Inches (mm)

Actuators

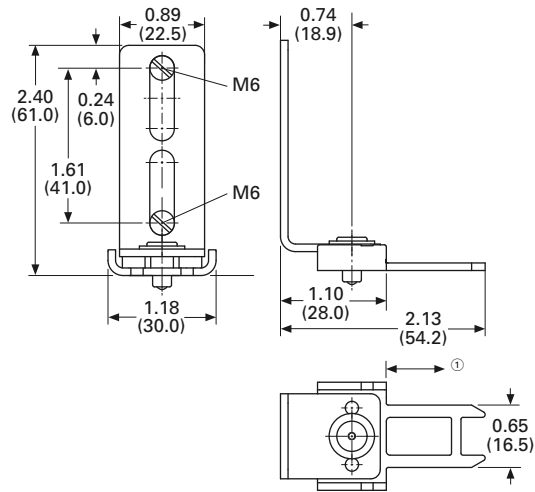
LS-XG-ZBZ



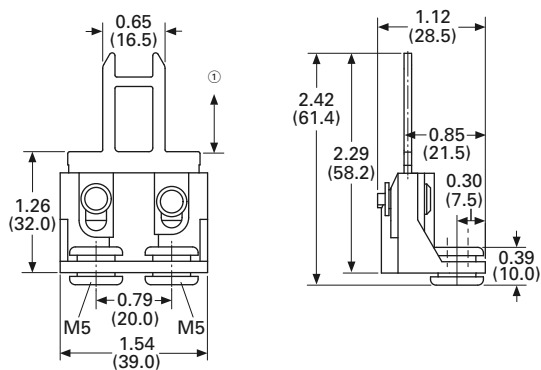
LS-XW-ZBZ



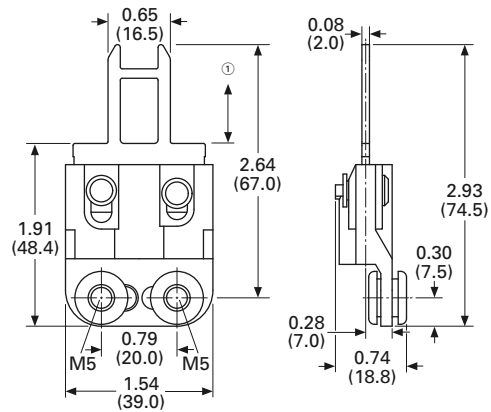
LS-XF-ZBZ



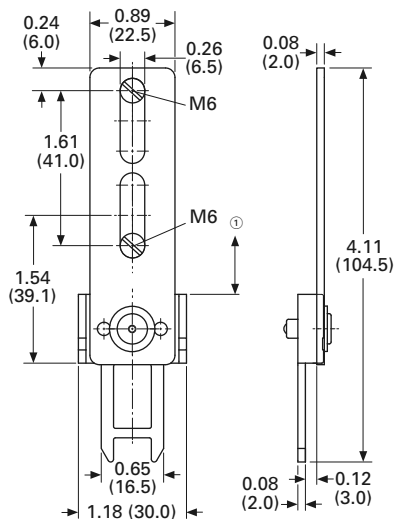
LS-XNW-ZBZ^②



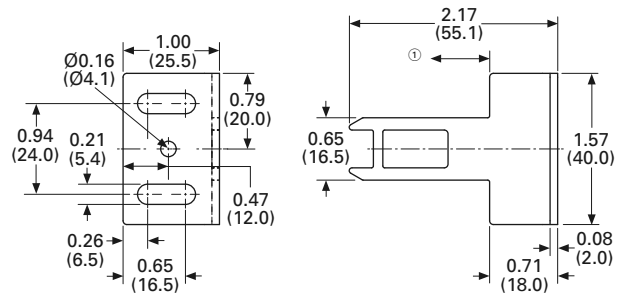
LS-XNG-ZBZ^②



LS-XFG-ZBZ



LS-XWA-ZBZ^③



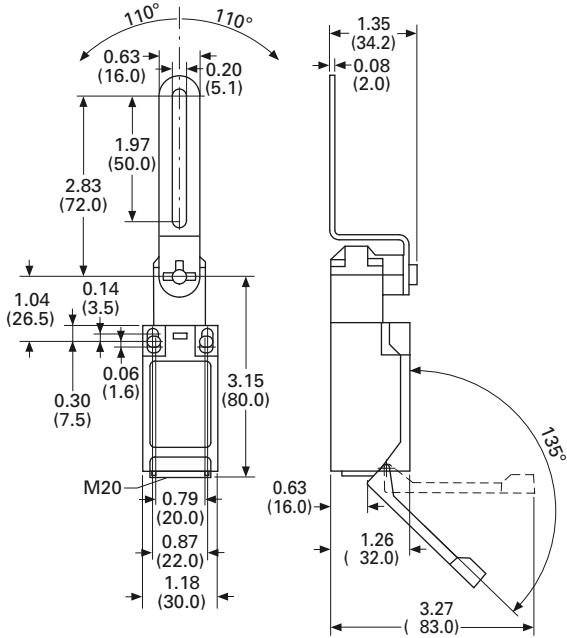
Notes

- ① Distance to device head = 0.1–3.0 mm.
- ② Fixing only allowed with M5 fixing screw and washer according to DIN EN ISO 7093.
- ③ Pin with a 4 mm pin after mounting.

Approximate Dimensions in Inches (mm)

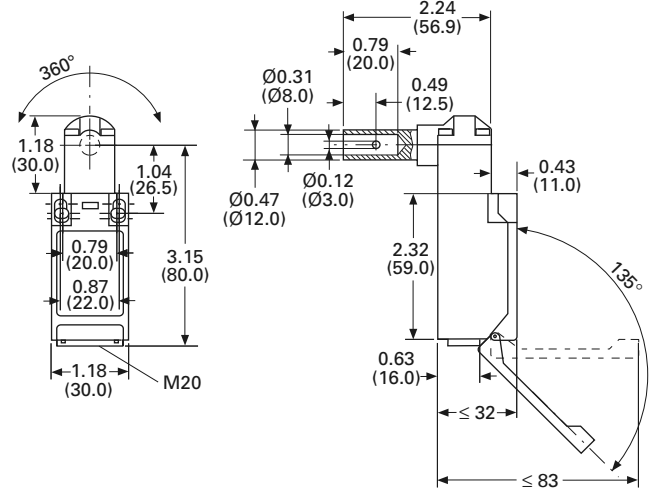
Safety Door Flap Switch

LSR-.../TKG



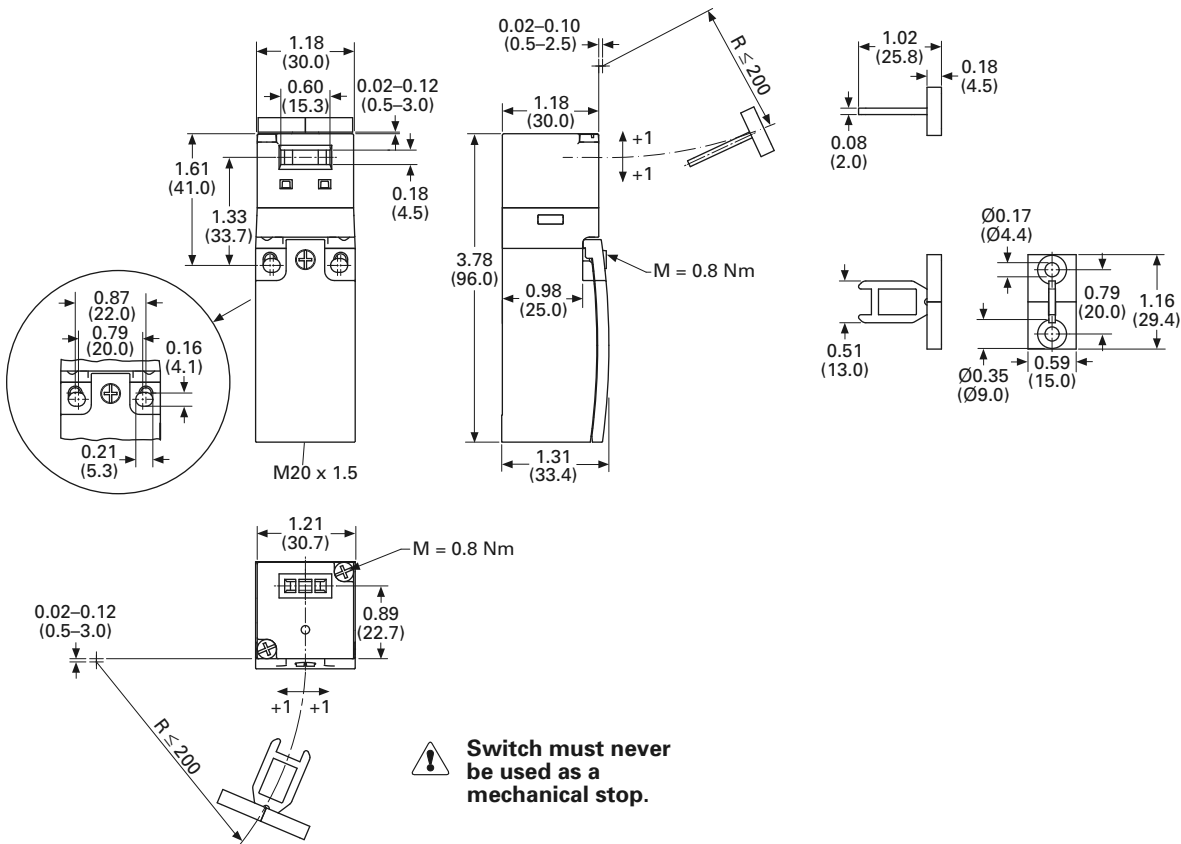
Safety Hinge Switch

LSR-.../TS



Safety Position Switches

LS-...-ZB



1.1

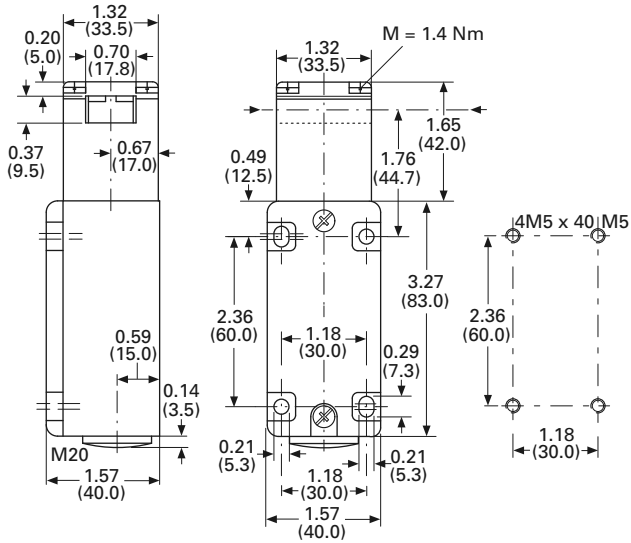
Safety Products

LS-Titan Safety Interlock Switches

Approximate Dimensions in Inches (mm)

Safety Position Switches

LS4...ZB



Actuator—Included with Switch Above

