

Dimensions

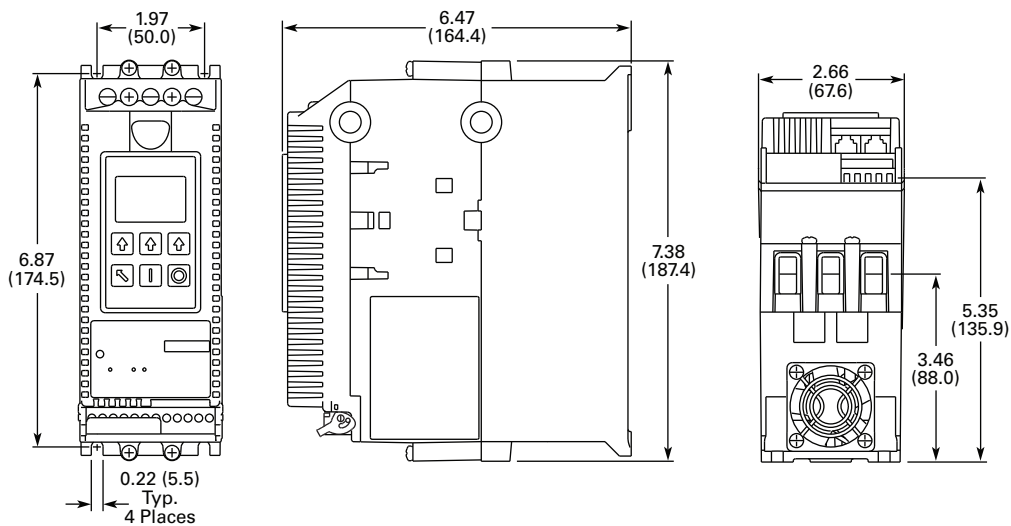
Approximate Dimensions in Inches (mm)

Soft Starters—S811

Partial Catalog Number	W	H	D	Weight in Lbs (kg)
S811N37	2.66 (67.6)	7.38 (187.4)	6.47 (164.4)	5.8 (2.6)
S811N66	2.66 (67.6)	7.38 (187.4)	6.47 (164.4)	5.8 (2.6)
S811R10	4.38 (111.3)	7.92 (201.2)	6.66 (169.2)	10.5 (4.8)
S811R13	4.38 (111.3)	7.92 (201.2)	6.66 (169.2)	10.5 (4.8)
S811T18	7.67 (194.8)	12.71 (322.9)	6.39 (162.4)	48 (21.8) with lugs 41 (18.6) without lugs
S811T24	7.67 (194.8)	12.71 (322.9)	6.39 (162.4)	48 (21.8) with lugs 41 (18.6) without lugs
S811T30	7.67 (194.8)	12.71 (322.9)	6.39 (162.4)	48 (21.8) with lugs 41 (18.6) without lugs
S811U36	7.73 (196.3)	12.72 (323.1)	7.08 (179.9)	48 (21.8) with lugs 41 (18.6) without lugs
S811U42	7.73 (196.3)	12.72 (323.1)	7.08 (179.9)	48 (21.8) with lugs 41 (18.6) without lugs
S811U50	7.73 (196.3)	12.72 (323.1)	7.08 (179.9)	48 (21.8) with lugs 41 (18.6) without lugs
S811V36	11.05 (280.6)	16.57 (420.8)	7.35 (186.6)	103 (46.8) with lugs 91 (41.4) without lugs
S811V42	11.05 (280.6)	16.57 (420.8)	7.35 (186.6)	103 (46.8) with lugs 91 (41.4) without lugs
S811V50	11.05 (280.6)	16.57 (420.8)	7.35 (186.6)	103 (46.8) with lugs 91 (41.4) without lugs
S811V65	11.05 (280.6)	16.57 (420.8)	7.35 (186.6)	103 (46.8) with lugs 91 (41.4) without lugs
S811V72	11.05 (280.6)	16.57 (420.8)	7.35 (186.6)	103 (46.8) with lugs 91 (41.4) without lugs
S811V85	11.05 (280.6)	16.57 (420.8)	7.35 (186.6)	103 (46.8) with lugs 91 (41.4) without lugs
S811V10	11.05 (280.6)	16.57 (420.8)	7.35 (186.6)	103 (46.8) with lugs 91 (41.4) without lugs

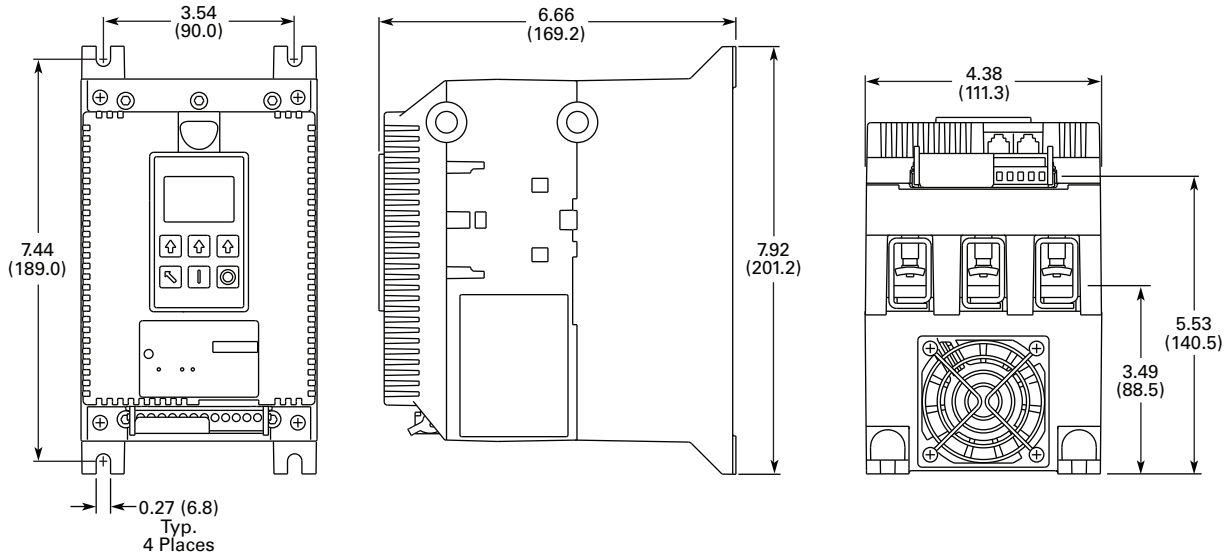
Also refer to dimension drawings below and on **Pages V6-T1-115 and V6-T1-116.**

N-Frame (65 mm) S811

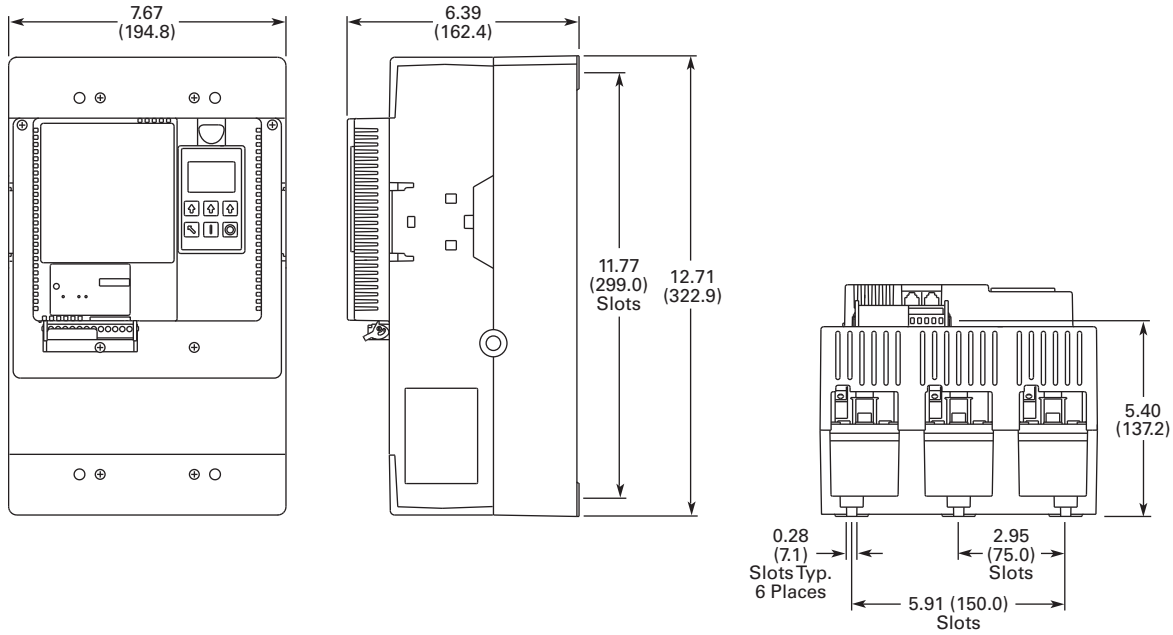


Approximate Dimensions in Inches (mm)

R-Frame (110 mm) S811



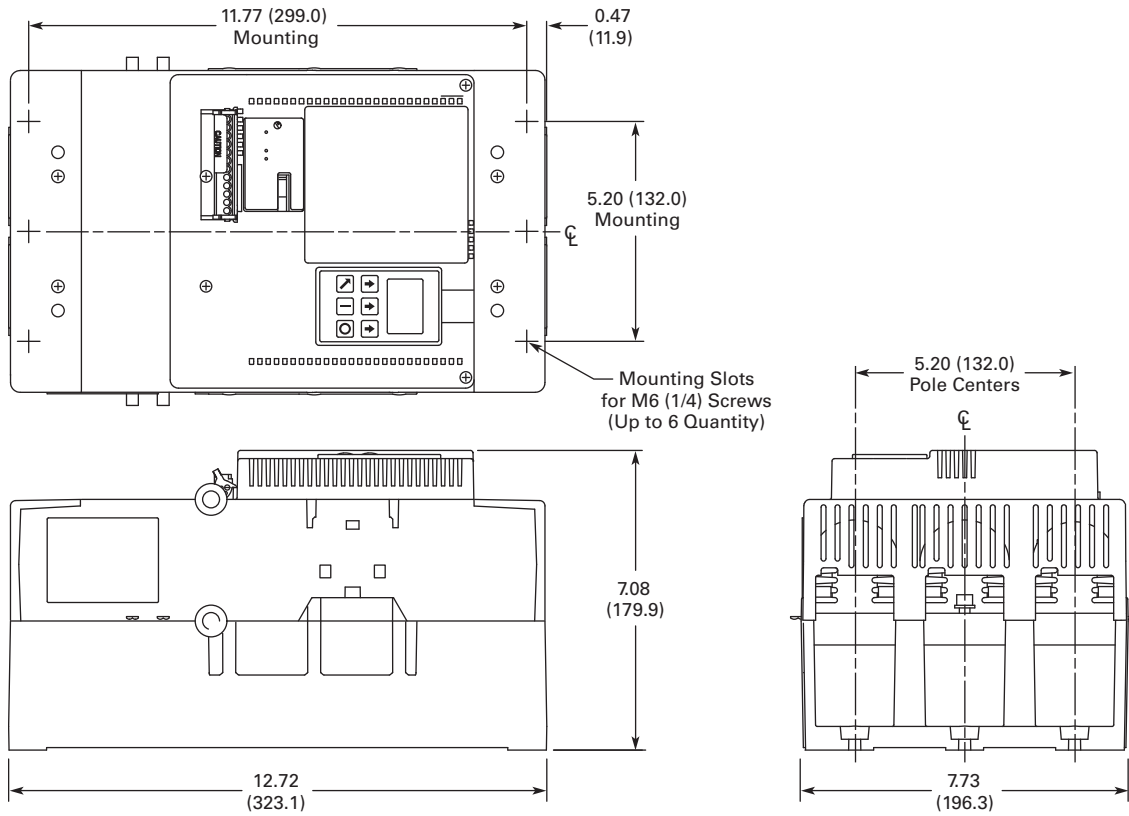
T-Frame (200 mm) S811



1

Approximate Dimensions in Inches (mm)

U-Frame (200 mm) S811



V-Frame (290 mm) S811

