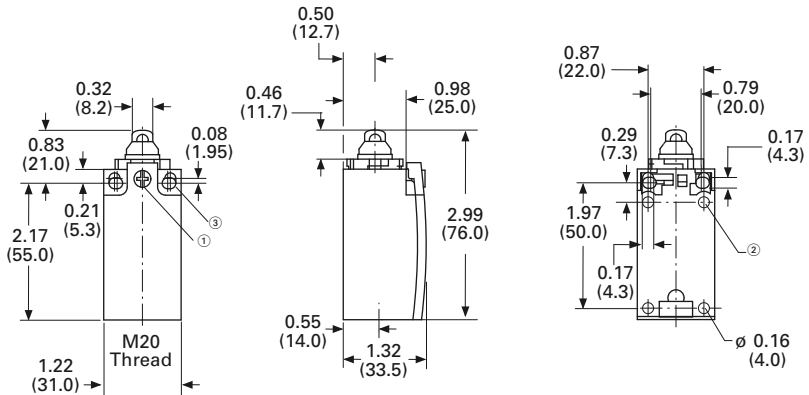


Dimensions

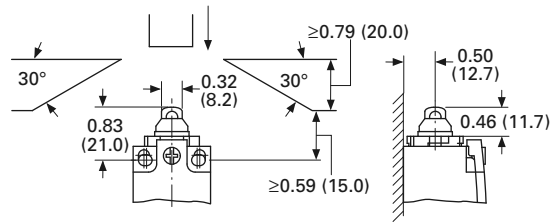
Approximate Dimensions in Inches (mm)

Position Switches

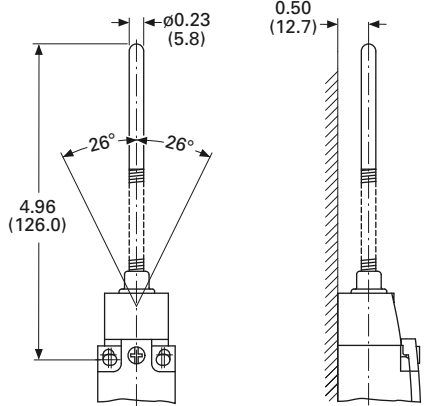
LS-..., LSM-..., LSE-...



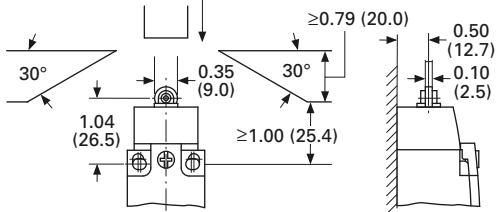
LS-..., LSM-..., LSE-...



LS(M)-.../S



LS(M)-.../P



Notes

- ① Tightening torque of cover screws: 0.8 Nm \pm 0.2 Nm.
- ② Only with LS (insulated version).
- ③ Fixing screws 2 x M4 \geq 30
M_A = 1.5 Nm

2.3

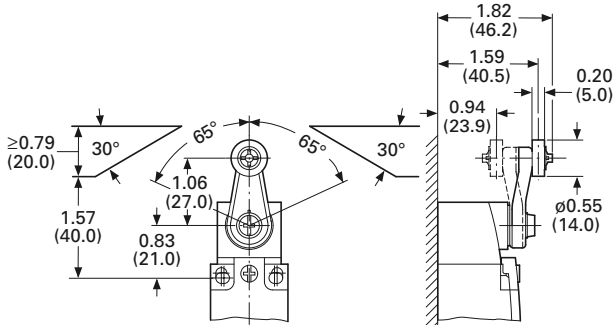
Limit Switches

LS-Titan Miniature DIN Switches

Approximate Dimensions in Inches (mm)

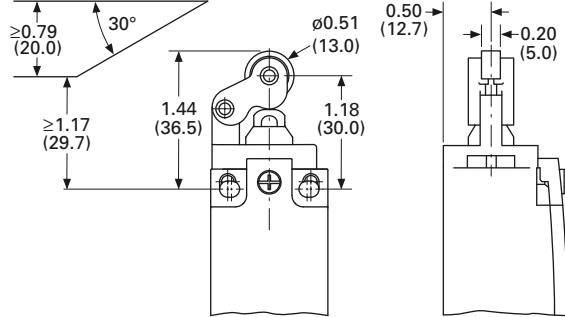
Rotary Lever

LS(M)-.../RL



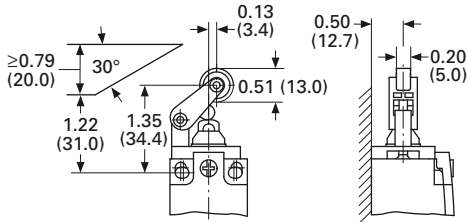
Roller Lever, Short

LS(M)-.../LS



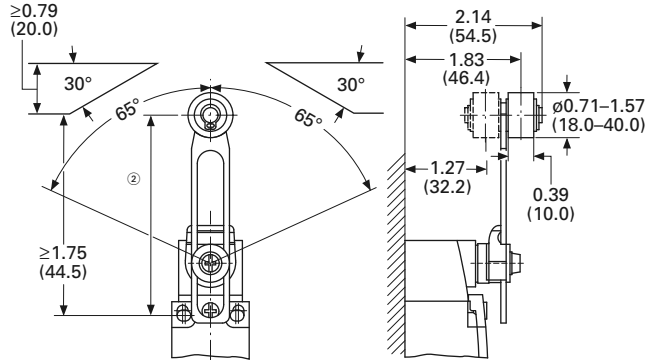
Roller Lever

LS(M)-.../L



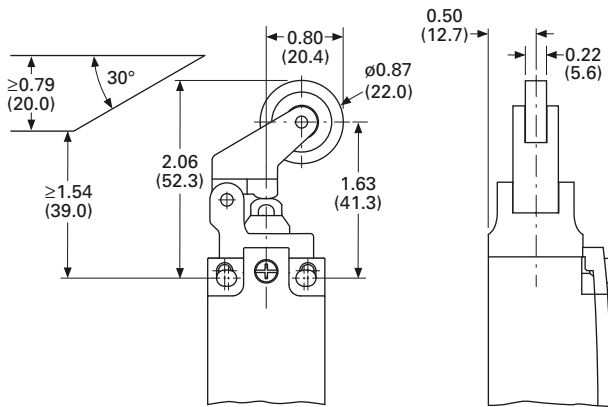
Adjustable Roller Lever

LS(M)-.../RLA



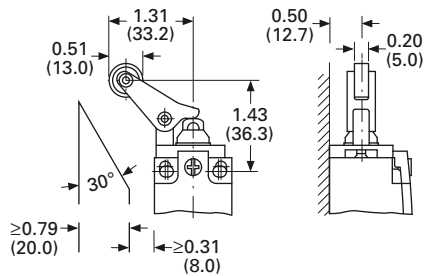
Roller Lever, Large

LS(M)-.../LB^①



Angled Roller Lever

LS(M)-.../XLA



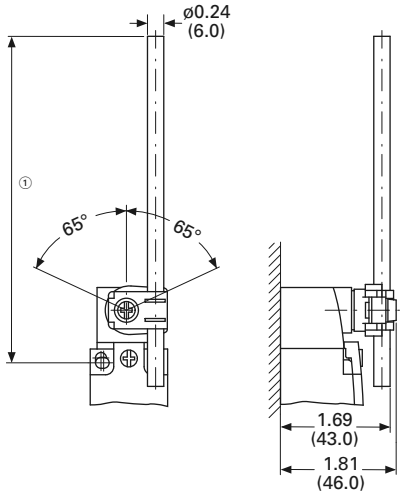
Notes

- ① Tightening torque of cover screws: 0.8 Nm \pm 0.2 Nm.
- ② Setting range of 54.5 to 97.

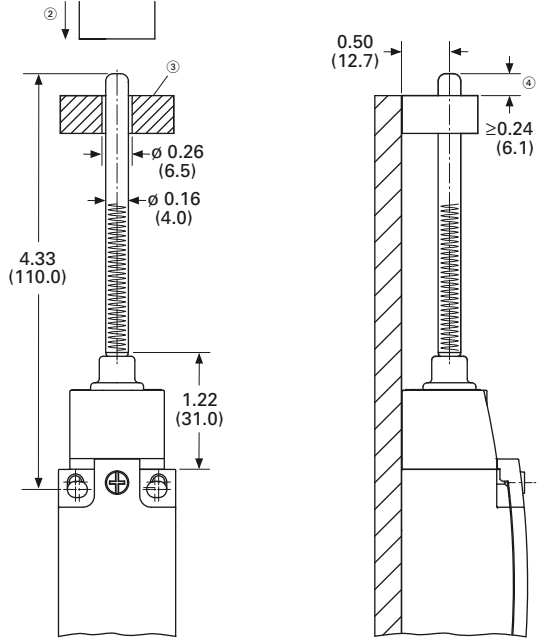
Approximate Dimensions in Inches (mm)

Actuating Rod

LS(M)-.../RR



LS(M)-.../OR



- Notes**
- ① LS.../RR ≤150
LS.../RRM ≤210
 - ② Approach direction, vertical.
 - ③ Guide is done by customer, not included.
 - ④ Maximum push-through.