

XTAE Starters with XTOB Overload Relay

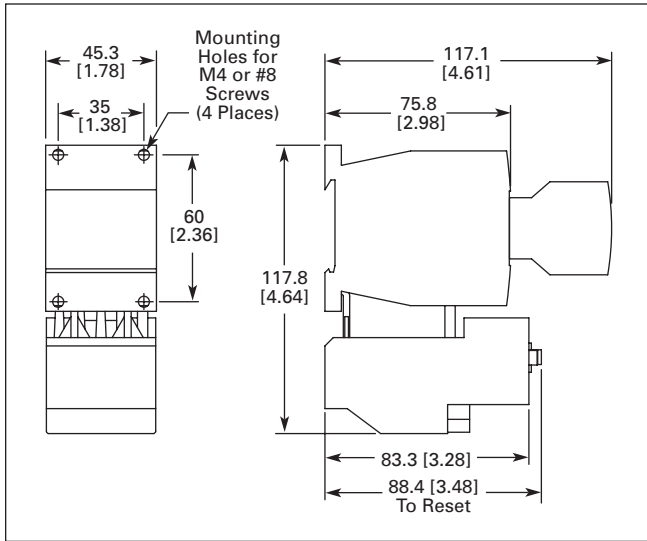


Figure 34-53. Frame B, XTAE007B – XTAE012B Starters with XTOB (7 – 12A) — Approximate Dimensions in mm [in.]

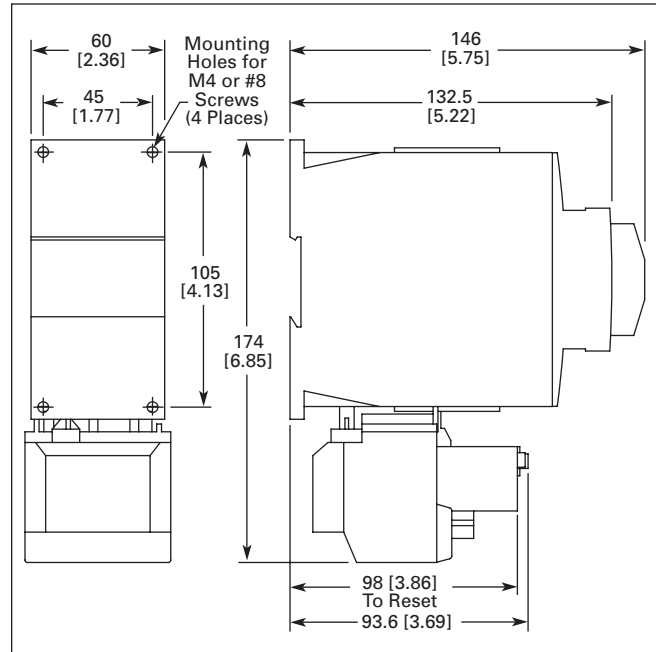


Figure 34-55. Frame D, XTAE040D – XTAE065D Starters with XTOB (40 – 65A) — Approximate Dimensions in mm [in.]

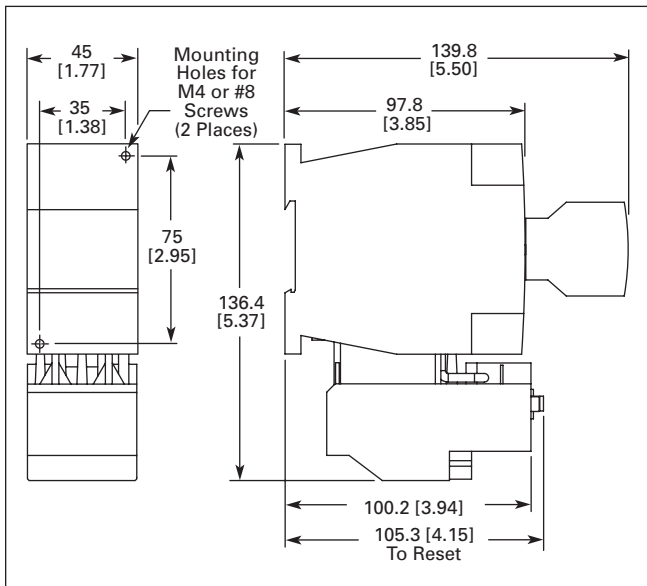


Figure 34-54. Frame C, XTAE018C – XTAE032C Starters with XTOB (18 – 32A) — Approximate Dimensions in mm [in.]

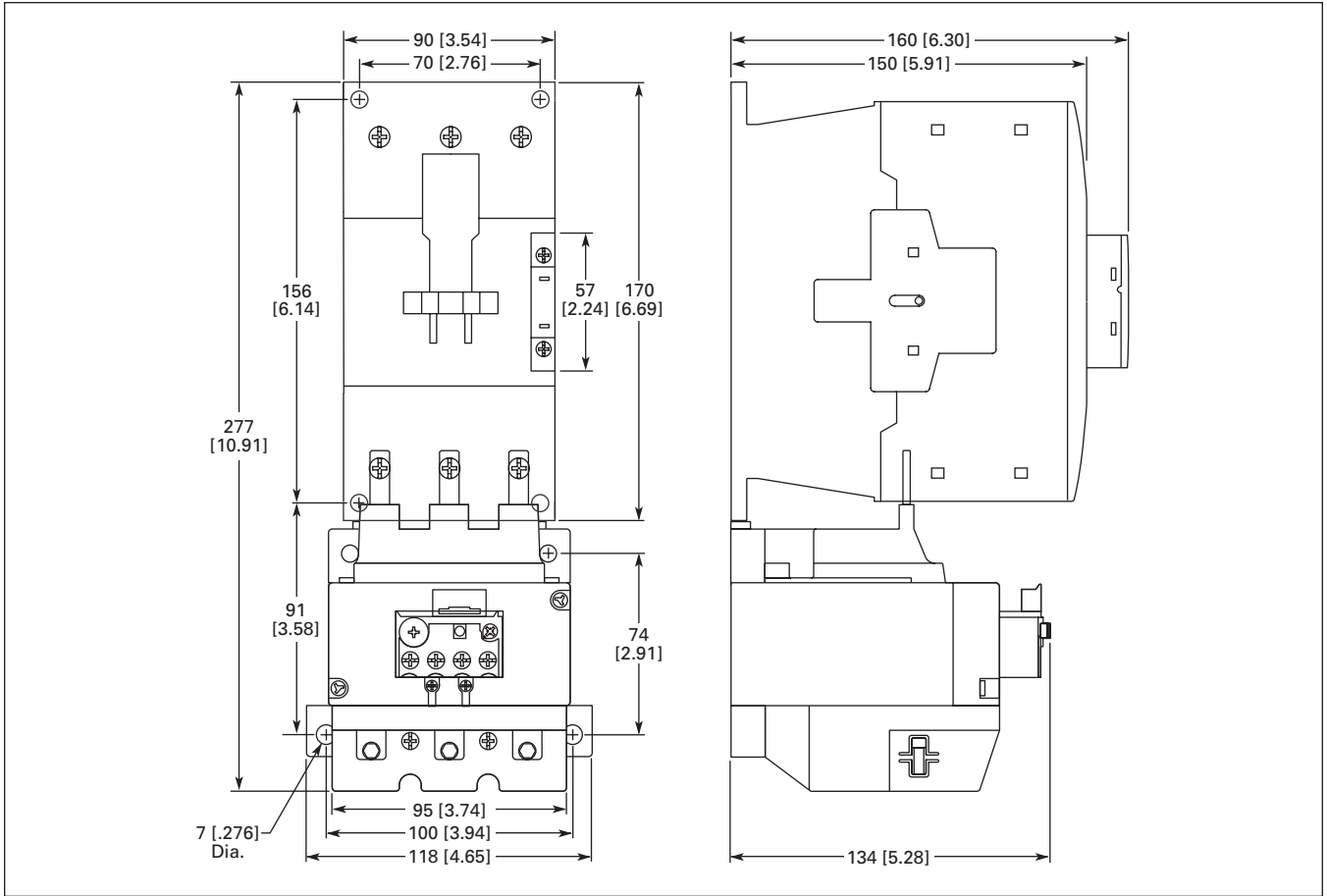


Figure 34-56. Frame F – G, XTAE080F – XTAE150G Starters with XTOB (80 – 150A) — Approximate Dimensions in mm [in.]

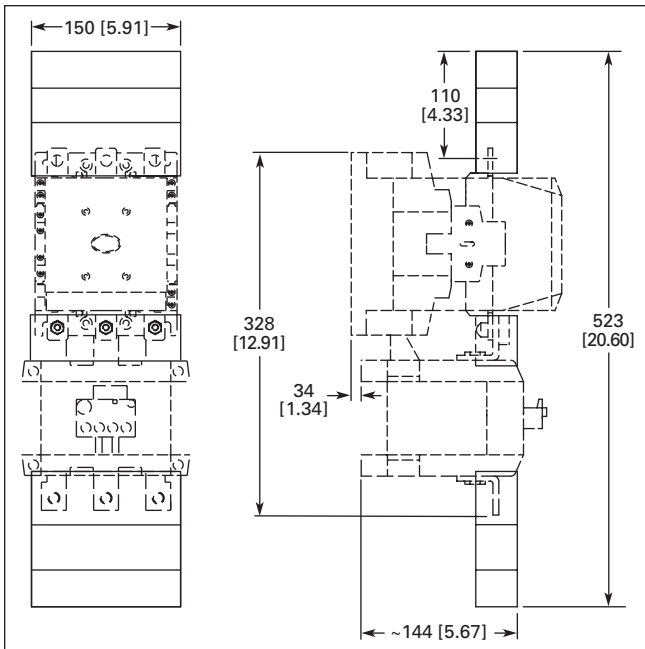


Figure 34-57. Frame L, XTAE185L – XTAE250L Starters with XTOB (185 – 250A) — Approximate Dimensions in mm [in.]

XTAE Starters with C396 Overload Relay

34

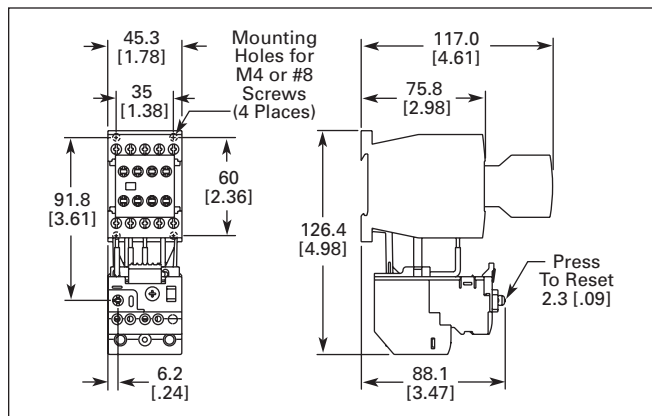


Figure 34-58. Frame B, XTAE007B – XTAE012B Starters with C396 (0.1 – 15A) — Approximate Dimensions in mm [in.]

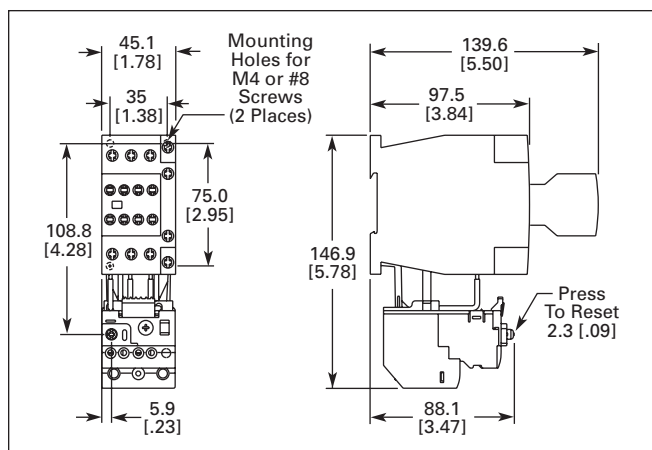


Figure 34-59. Frame C, XTAE018C – XTAE032C Starters with C396 (0.1 – 32A) — Approximate Dimensions in mm [in.]

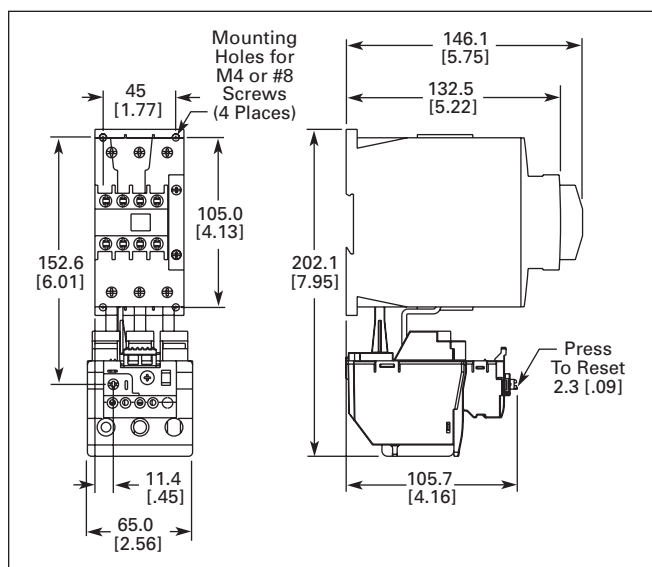


Figure 34-60. Frame D, XTAE040D – XTAE065D Starters with C396 (15 – 75A) — Approximate Dimensions in mm [in.]

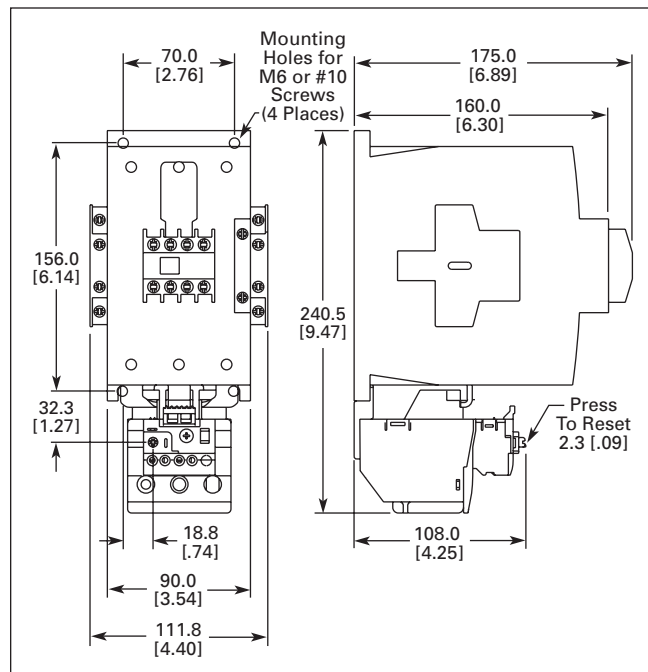


Figure 34-61. Frame F and G, XTAE080F – XTAE115G Starters with C396 (22 – 110A) — Approximate Dimensions in mm [in.]

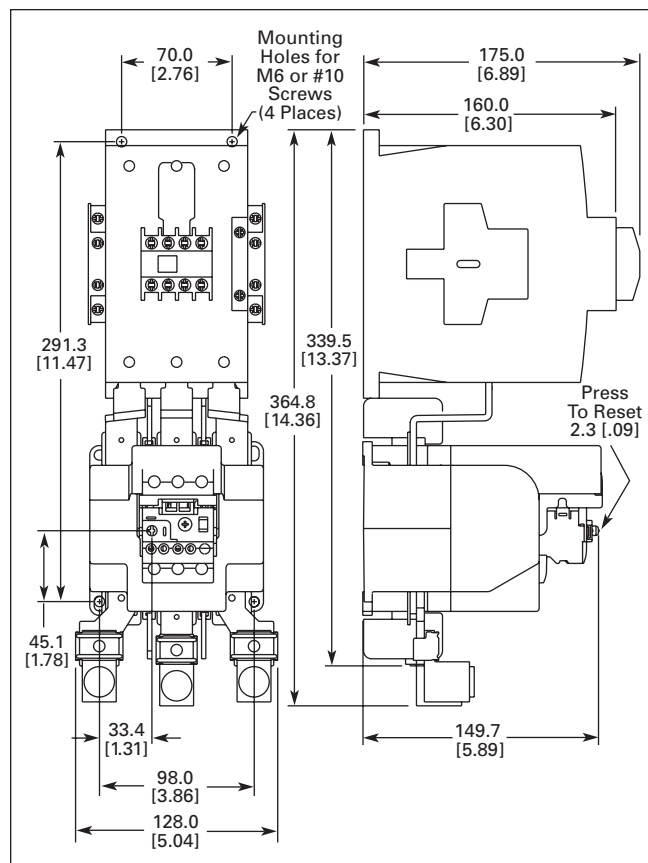


Figure 34-62. Frame G, XTAE115G – XTAE150G Starters with C396 (30 – 150A) — Approximate Dimensions in mm [in.]