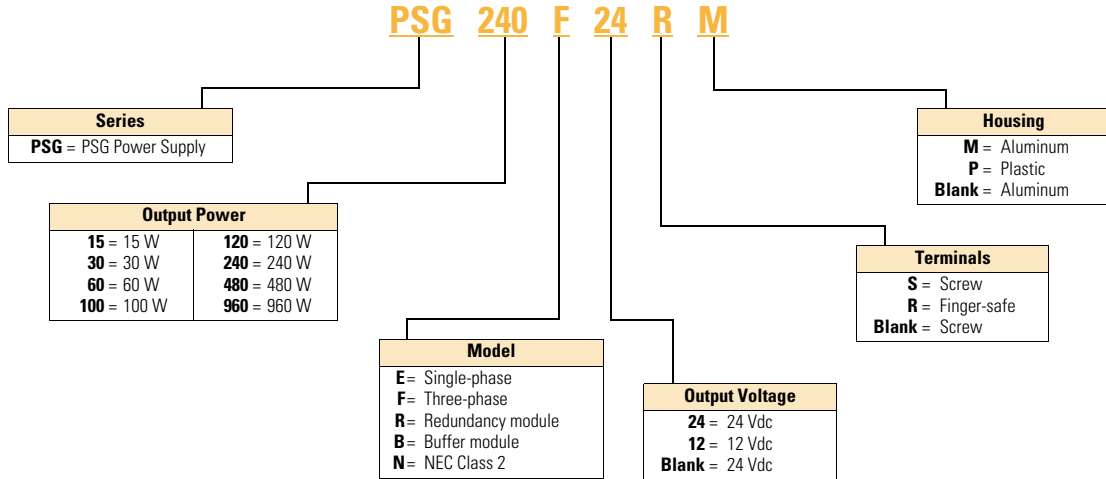


Catalog Number Selection

Note: Catalog number selection breakdown shown below is for illustrative purposes only and not to be used to create new catalog number configurations.

PSG Series



Note: Not all combinations are available. See Pages **V7-T6-19–V7-T6-26** for all available combinations.