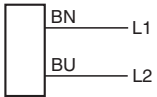
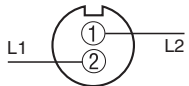
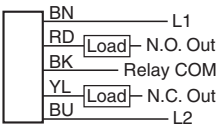
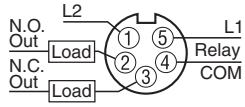
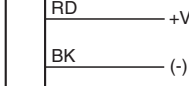
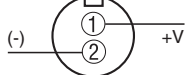
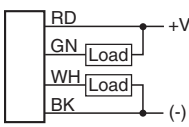
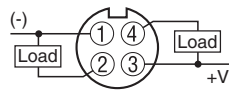


**Wiring Diagrams** (Pin numbers are for reference only, rely on pin location when wiring)

Operating Voltage	Models	Cable Models	Mini-Connector Models (Face View Male Shown)
115V AC or 230V AC	Thru-Beam Source		
	All others		
10 – 30V DC	Thru-Beam Source		
	All others		

**Specifications**

	115V AC Models	230V AC Models	10 – 30V DC Models
Input Voltage	90 – 132V AC, 60 Hz 100 – 132V AC, 50 Hz	180 – 264V AC, 60 Hz 200 – 264V AC, 50 Hz	10 – 30V DC, 35 mA
Power Dissipation	2W		1W
Light/Dark Operation	Switch selection on logic module		
Operating Temperature	Thru-Beam: -22° to +158°F (-30° to +70°C) All Others: -40° to +158°F (-40° to +70°C)		
Humidity	95% relative humidity, non-condensing		
Case Material	Noryl® (avoid exposing to chlorinated, halogenated or aromatic hydrocarbons)		
Lens Material	Nylon		
Vibration	15g or 0.06-inch displacement, whichever is less, over 10 Hz to 2 kHz (when using 8532B relay — 0.04-inch displacement between 10 – 55 Hz)		
Shock	40g for 10 mS and 500g for 2 mS, 1/2 sine wave pulse		
Sensitivity Adjustment	20:1 Ratio		
Enclosure Ratings	NEMA 1, 3, 4, 12 and 13 ①		
Sunlight Immunity	100 foot Thru-Beam models: 6,000 foot-candles All other models: 10,000 foot-candles		
Output	See output device specifications		

Sensor Type	Output Device Installed	Response Time	
		Dark-to-Light	Light-to-Dark
AC Thru-Beam Models	8532B	12 mS	18 mS
	8562B	5 mS	11 mS
	8563A	10 mS	16 mS
All Other AC Models	8532B	12 mS	12 mS
	8562B	5 mS	5 mS
	8563A	10 mS	10 mS
DC Thru-Beam Models	8587A	2 mS	8 mS
All Other DC Models	8587A	2 mS	2 mS

① NOTE: Our products conform to NEMA tests as indicated, however, some severe washdown applications can exceed these NEMA test specifications. If you have questions about a specific application, contact Eaton's Cutler-Hammer Sensor Applications Department at 1-800-426-9184.

**Approximate Dimensions in Inches (mm)**

**Sensors**

