

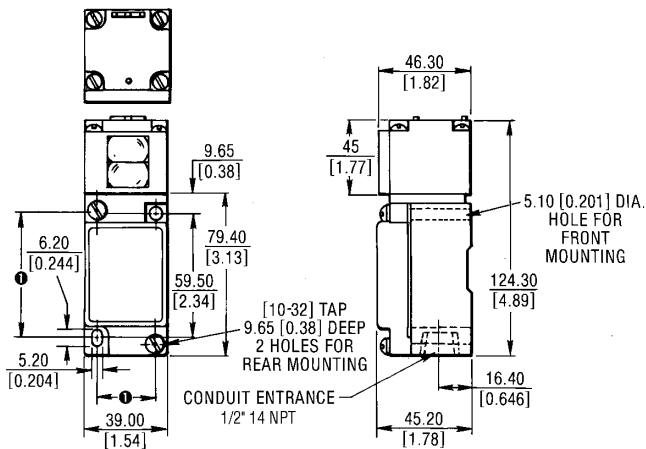
Specifications

Description	Specification
Output Rating (NEMA D150) AC/DC Models AC Models DC Models	0.5A continuous 1A continuous 0.6A continuous
Protection	Latching short circuit protection on 2-wire AC/DC and 4-wire DC models
Indicator LEDs	Lights when output is ON. One LED for each output
Enclosure Material	Zinc die cast
Gasket Material	Viton
Enclosure Ratings	NEMA 3, 3S, 4, 4X, 6, 6P, 12 and 13 (IP67) E51SCN Sensor Body only: NEMA 4, 4X and 13 ①
Hazardous Locations Ratings Class I Class II Class III	Division II — GRPS ABCD Division II — GRPS F and G Division 2
Temperature Range	-13° to 158°F (-25° to 70°C)
Torque Requirements	Switch Body Screws: 25 – 30 in-lb; Sensing Head Screws: 14 – 18 in-lb
Vibration	10 – 55 Hz, 1 mm amplitude
Shock	30g, 11 mS, 1/2 sine wave
Humidity	95% non-condensing

① NOTE: Our products conform to NEMA tests as indicated, however, some severe washdown applications can exceed these NEMA test specifications. If you have questions about a specific application, contact Eaton's Cutler-Hammer Sensor Applications Department at 1-800-426-9184.

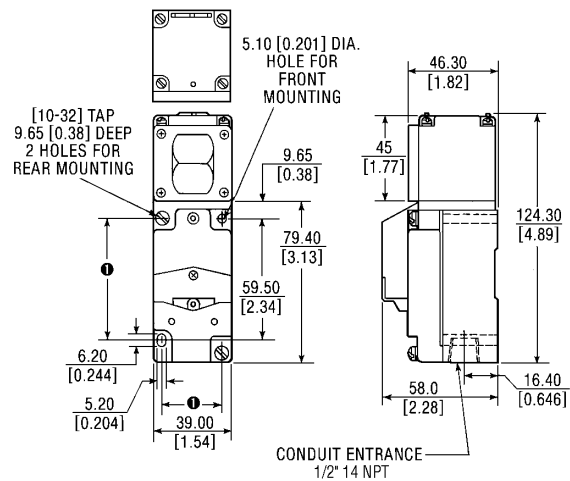
Approximate Dimensions in mm [Inches]

Standard Sensor



① CAN ACCOMMODATE BOTH U.S. $\frac{29.4 \times 59.5}{[1.16 \times 2.34]}$
AND DIN $\frac{30 \times 60}{[1.18 \times 2.36]}$ MOUNTING DIMENSIONS.

Sensor with Logic Module



Wiring Diagrams (Pin numbers are for reference, rely on pin location when wiring)

Operating Voltage	Output ①	Terminal and Cable Models	Mini-Connector Models (Face View Male Shown)
2-Wire Sensors			
20 – 264V AC or DC 50/60 Hz	N.O. or N.C.		
4-Wire Sensors			
120V AC 50/60 Hz	N.O. and N.C.		
10 – 30V DC	N.O. and N.C. NPN		
	N.O. and N.C. PNP		

① Changing light/dark switch on sensor head will reverse output function (N.O. becomes N.C., and N.C. becomes N.O.).

Model Selection — Accessories

	Description	Catalog Number	Approximate Dimensions in Inches [mm]
	1 hole, includes mounting hardware, stainless steel	E51KH2	
	2 hole, includes mounting hardware, steel	E51KH4	

Fast turn product with typical one day lead-time to shipment.