



REFRIGERATION AND  
AIR CONDITIONING

# Instructions

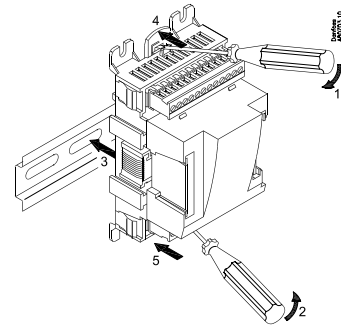
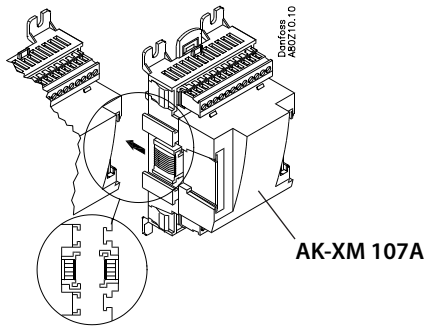
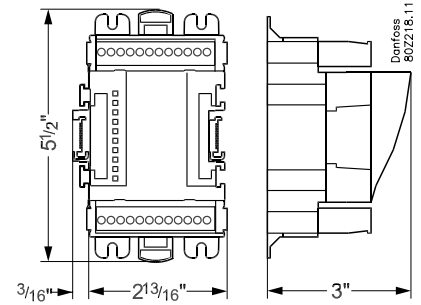
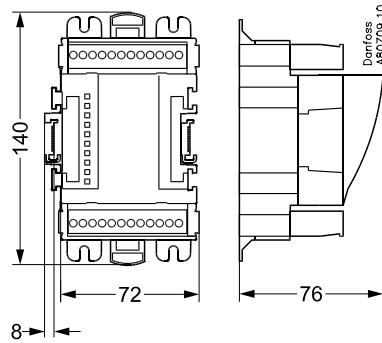
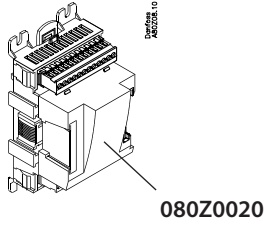
## Pulse module AK-XM 107A



080R9241



R18KE402



CE

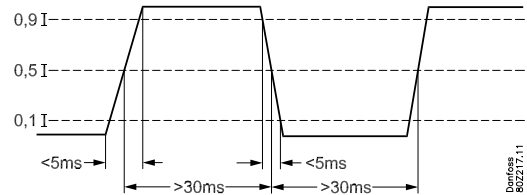
-20° <math>t\_{amb}</math> <math>< 55^{\circ}\text{C}</math>  
 -0° <math>F < t\_{amb}</math> <math>< 130^{\circ}\text{F}</math>  
 0 - 95% RH, non condensing  
 IP10 / VBG4

DIN 43864  
 S01 interface



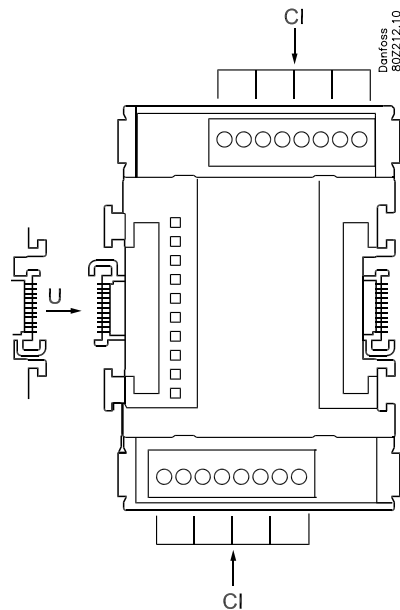
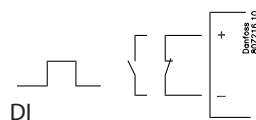
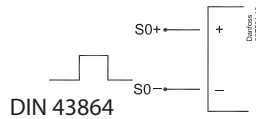
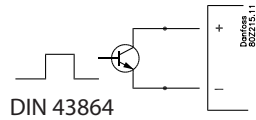
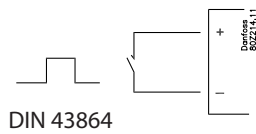
**Warning**

Ensure power is  
 disconnected before  
 adding or removing  
 Modules

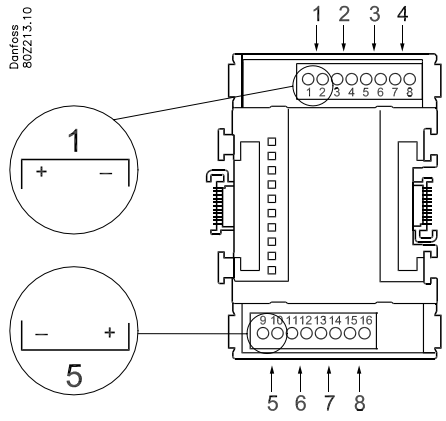


DIN 43864

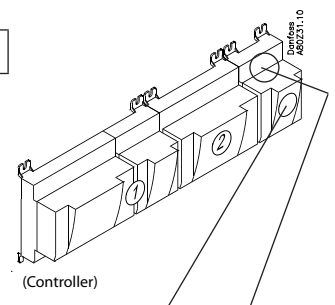
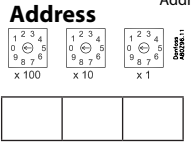
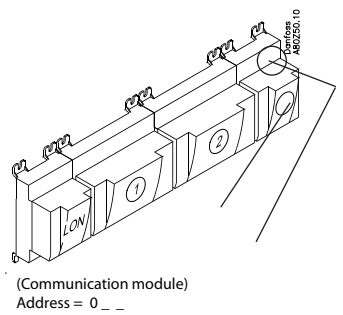
CI x 8



**Point**



	Signal	Active at
<b>CI</b> 	Pulse	—
<b>DI (On/off)</b> 	On/ Off Ext.Main Switch Day/ Night Door	<b>Closed / Open</b>



Signal	Active at	Module	Point	Terminals
			1 (CI 1)	1 - 2
			2 (CI 2)	3 - 4
			3 (CI 3)	5 - 6
			4 (CI 4)	7 - 8
			5 (CI 5)	9 - 10
			6 (CI 6)	11 - 12
			7 (CI 7)	13 - 14
			8 (CI 8)	15 - 16

The Product contains electrical components.  
 The Product must be disposed of as electronic waste.  
 Equipment must be separate collected with Electrical and Elec-  
 tronic waste. According to Local and currently valid legislation.

