



REFRIGERATION AND  
AIR CONDITIONING

# Instructions

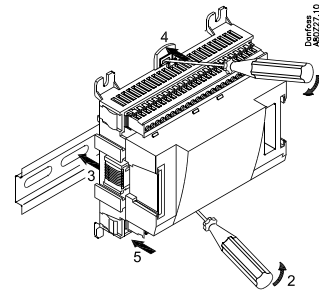
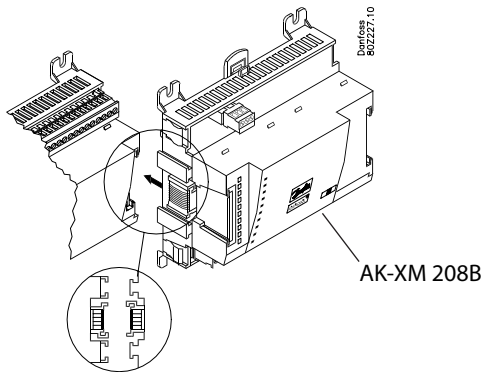
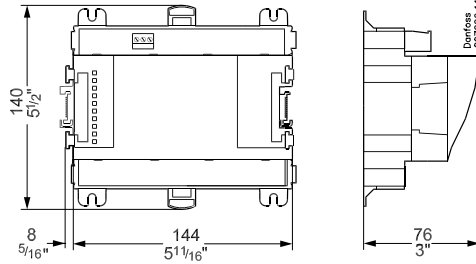
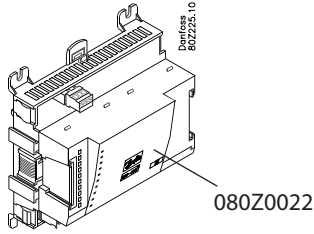
## Stepper output module AK-XM 208B



080R9255



RI8KG602



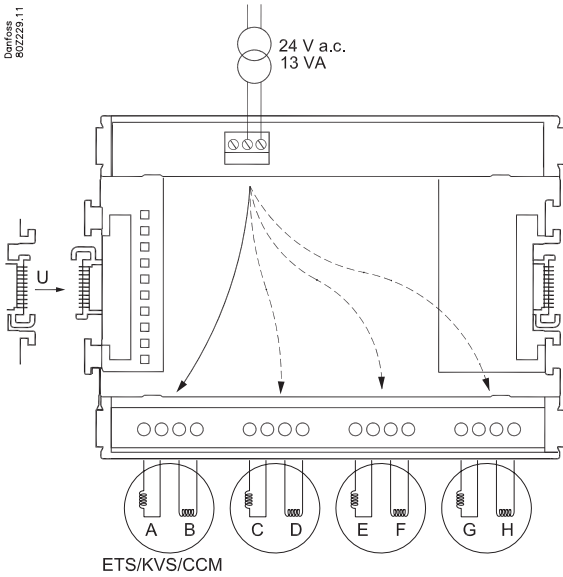
CE

-20° < t<sub>amb</sub> < 55°C  
-0°F < t<sub>amb</sub> < 130°F  
0 - 95% RH, non condensing  
IP10 / VBG4



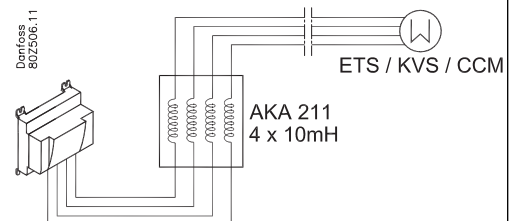
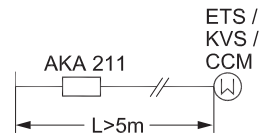
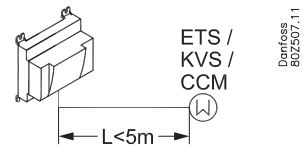
**Warning**  
Ensure power is disconnected before adding or removing Modules

### 4 x stepper valve output

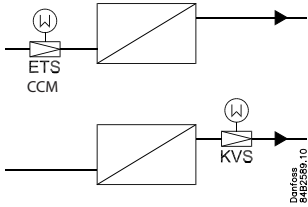
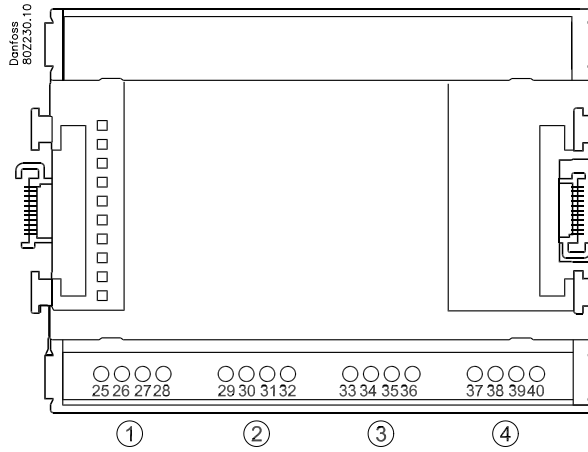


**Output:**  
24 V d.c.  
I<sub>max</sub> = 500 m A / coil

L

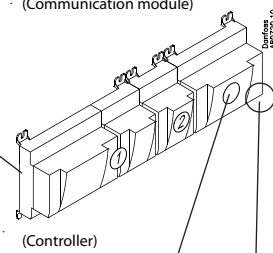
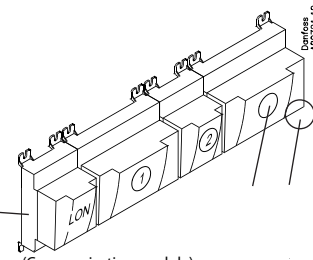
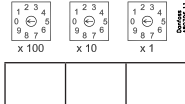


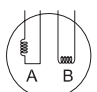
**Point**



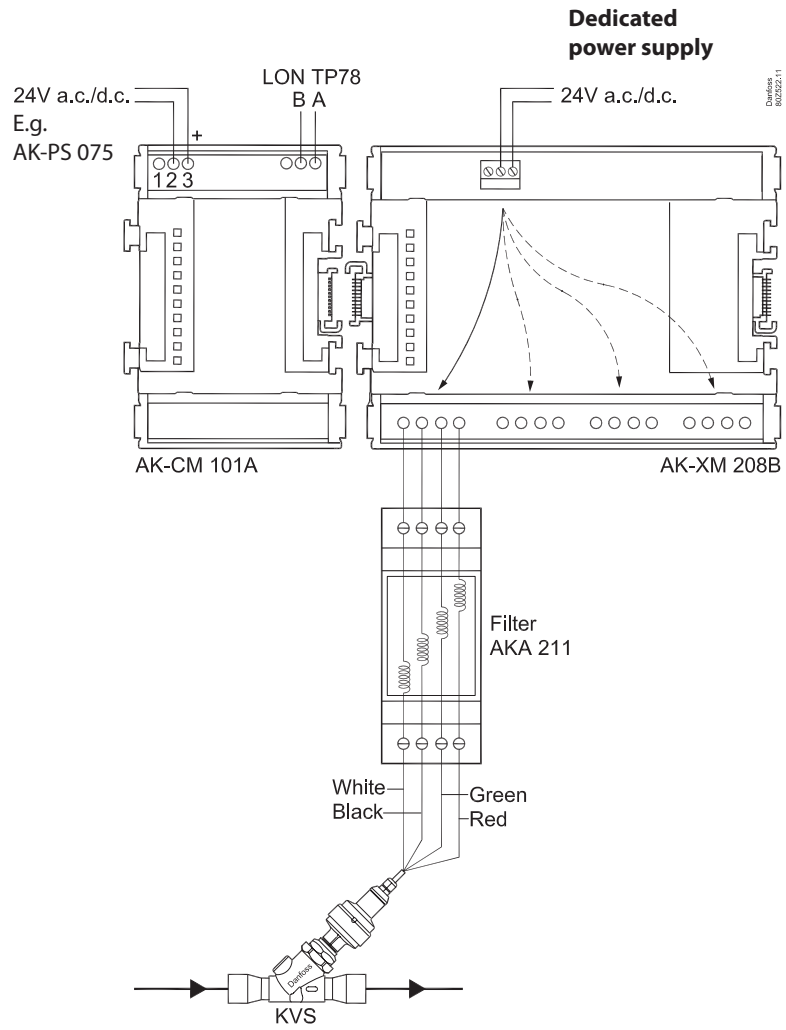
<b>Point / Terminal</b>	1	25	26	27	28
	2	29	30	31	32
	3	33	34	35	36
	4	37	38	39	40
<b>ETS</b>		White	Black	Red	Green
<b>CCM</b>		White	Black	Green	Red
<b>KVS 15</b>		White	Black	Green	Red
<b>KVS 42-54</b>		White	Black	Green	Red

**Address**



Valve	Module	Point	Terminals
 ETS/KVS/CCM		1	25 - 28
		2	29 - 32
		3	33 - 36
		4	37 - 40

**Example**



The Product contains electrical components  
And may not be disposed together with domestic waste.  
Equipment must be separate collected with Electrical and Electronic waste. According to Local and currently valid legislation.