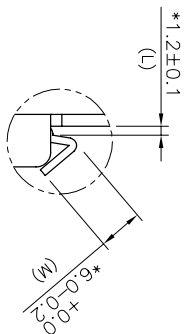
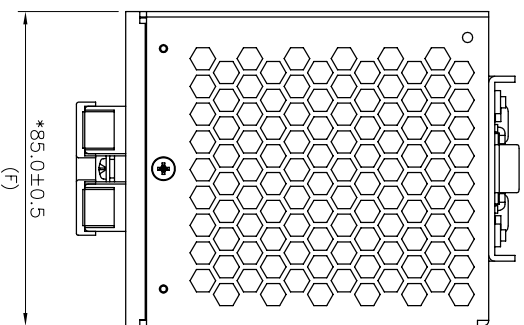


REV. ECN NO.

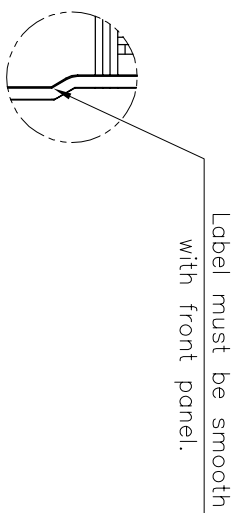
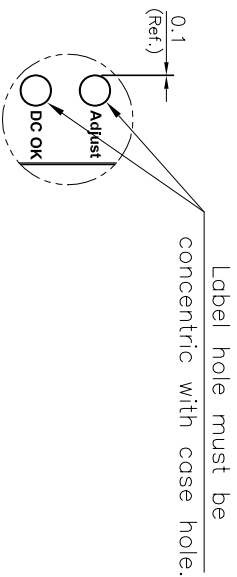
00 -----



Detail "A"
Scale 2:1



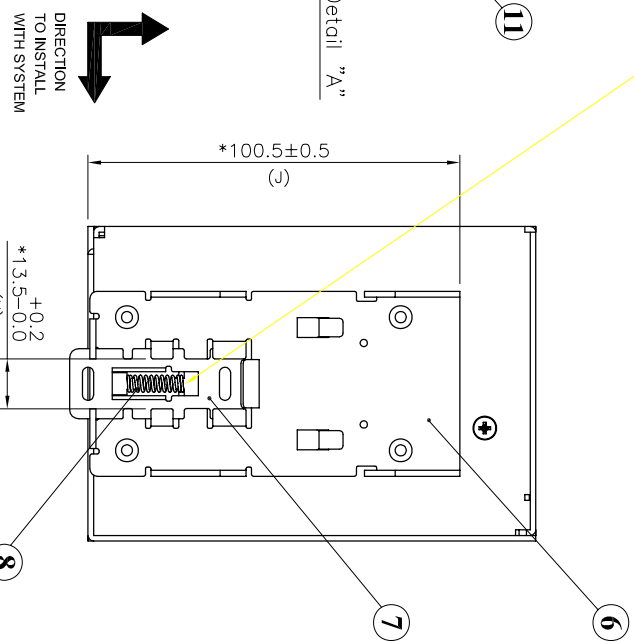
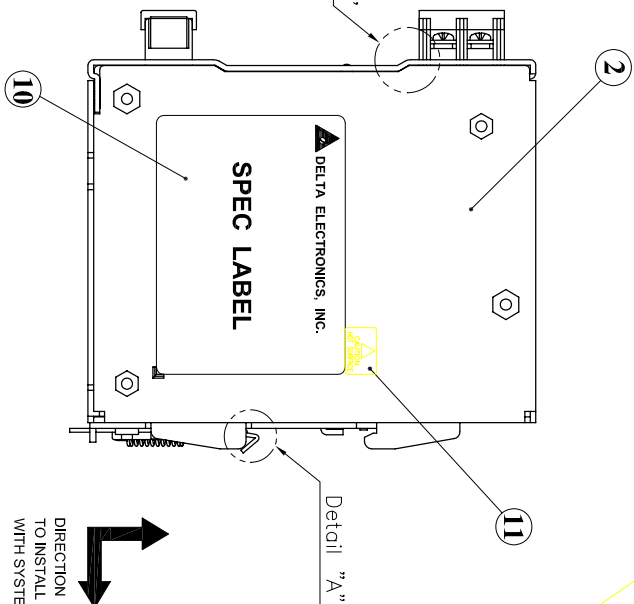
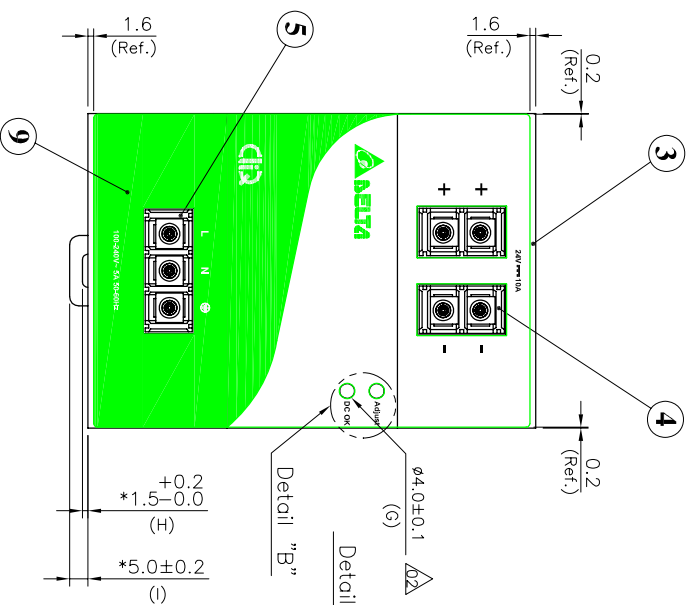
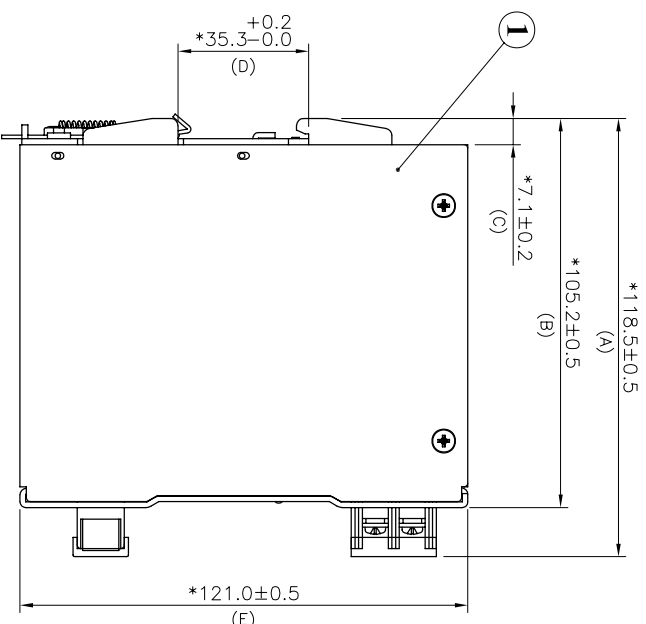
Detail "B"
Scale 2:1



Detail "C"
Scale 2:1

SPRING FORCE

For Latch: 1.0~2.5 Kgf.
For Release: 2.5~4.0 Kgf. (Max Stroke)



ITEM	DESCRIPTION	DELTA P/N	Q'TY
1	CASE COVER	33024210XX	1
2	CASE CHASSIS	33024209XX	1
3	FRONT PANEL	33024211XX	1
4	TERMINAL BLOCK 2 PIN	3073039746	2
5	TERMINAL BLOCK 3 PIN	3073039846	1
6	BASE BACK	34613030XX	1
7	LATCH	34600881XX	1
8	SPRING	34620262XX	1
9	FRONT LABEL	32630371XX	1
10	SPEC LABEL	32000919XX	1
11	CAUTION LABEL	32023152XX	1

- NOTES:
1. " * " IS CRITICAL DIMENSION MUST BE INSPECTED.
 2. PRODUCT SURFACE SHOULD BE CLEAN.
 3. SPEC LABEL DETAIL AND PRINTING CONTENTS REFER TO SN.
 4. MUST MEET DELTA GENERAL STANDARD: 10000-0162.



DRAWN: DATE: DESIGN: ECN NO.:

DIMENSIONAL TOLERANCES

()	()	()	()	ANGLES
DECIMALS <50	:±0.1	<50	:±0.15	<30° :±0.1°
X :±0.3	>50-100 :±0.15	>50-100	:±0.2	>30°-60° :±0.3°
X.X :±0.2	>100-200 :±0.2	>100-200	:±0.25	>60°-90° :±0.5°
X.XX:±0.1	>200- :±0.25%	>200- :±0.25%	>200- :±0.3%	

DRAWING NAME: PHYSICAL DIMENSION DRAWING

PART NO.: DRP024V240W1AA

USED ON	UNIT	mm	SCALE	SHEET 1 OF 1	REV. 02
---------	------	----	-------	--------------	---------