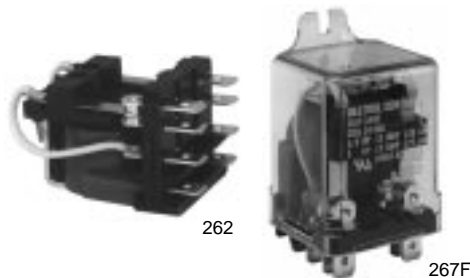


# DELTRON

*controls* | DC

DIVISION OF DELTROL CORP.



# 260 SERIES RELAY 5, 10, AND 15 AMP GENERAL PURPOSE W/.250QC TERMINALS

## FEATURES

- Class F Coil Insulation System for 155°C Total Temperature
- Coil Molded in DuPont Rynite® for Environmental Protection
- Unique Armature Stop Maintains Adjustment
- Fine Wire Gauge Coils are Skined for Coil Integrity

## CONTACT DATA

### CONFIGURATION:

Thru 3PDT

### MATERIALS:

#### 5 AMP:

1/8" Diameter Moveable Fine Silver  
3/16" Diameter Stationary Fine Silver

#### 10 AMP:

3/16" Diameter Moveable Silver Cadmium Oxide  
3/16" Diameter Stationary Fine Silver

Gold Flash Standard on All 5 & 10 Amp Contacts

Gold Diffused Available on Special Order – Min. Qty. Req'd.

#### 15 AMP:

7/32" Diameter Moveable Silver Cadmium Oxide  
7/32" Diameter Stationary Silver Cadmium Oxide

## CONTACT RATINGS

MODEL	POLE CONFIGURATION	UL RATINGS
260/265	thru 3PDT	5 amp or 1/8 HP at 120VAC 5 amp or 1/4 HP at 277VAC 2 amp at 600VAC 5 amp at 28VDC
261/266	thru 3PDT	10 amp or 1/3 HP at 120VAC 10 amp or 1/2 HP at 277VAC* 10 amp at 28VDC 1 HP at 277VAC – 3 phase 3 amp or 1/2 HP at 600VAC 12 FLA, 35 LRA at 15VAC
262/267	thru 3PDT	15 amp or 1/2 HP at 120VAC 15 amp or 1 HP at 277VAC* 15 amp at 28 VDC

\* 3 Pole Devices Rated at 6-2/3 Amp When Switching Greater Than 150VAC, Unless Polarity is the Same on All Poles.

UL RECOGNIZED FILE NO.: E37066

CSA CERTIFIED FILE NO.: LR20690

## EXPECTED LIFE

### Electrical At Rated Load (Minimum)

100,000 Operations Except as Noted

### Mechanical Life

10,000,000 Operations

## DIELECTRIC STRENGTH

800 VRMS, 60 Hz Between Contacts  
2200 VRMS, 60 Hz Between All Other Elements

## MODELS

**260:** 5 Amp Open Frame

**261:** 10 Amp Open Frame

**262:** 15 Amp Open Frame

**265F:** 5 Amp with Flange Cover

**266F:** 10 amp with Flange Cover

**267F:** 15 Amp with Flange Cover

Other Suffixes Available

A-Indicator Lamp, B-Push to Test Button

TM-Top Mount Cover, SL - Stud & Locating Tab



## COIL DATA

MODEL	POLE CONFIG.	AMP RATING	NOMINAL VOLTAGE	RESISTANCE IN OHMS ± 10%	NOMINAL COIL POWER
260/261 265F/ 266F	SPDT	5, 10	6VAC	5.0	2.0VA
			12VAC	20	
			24VAC	80	
			48VAC	315	
			120VAC	2025	
			240VAC	8000	
260/261 265F/ 266F	DPDT 3PDT	5, 10	6VAC	4.5	2.2VA
			12VAC	18	
			24VAC	72	
262/ 267F	SPDT DPDT 3PDT	15	48VAC	285	
			120VAC	1850	
			240VAC	7200	
260/261 265F/ 266F	SPDT DPDT 3PDT	5, 10	6VDC	30	1.2W
			12VDC	120	
			24VDC	480	
			48VDC	1850	
			110VDC	10,000	
262/ 267F	SPDT DPDT 3PDT	15	6VDC	24	1.5W
			12VDC	96	
			24VDC	375	
			48VDC	1,500	
			110VDC	8,000	

**Coil Voltages:** AC: Up to 277 Volts/60 Hz  
DC: Up to 125 Volts

**Coil Treatment:** Molded Rynite® Std. Class F

**Insulation Resistance:** 100 Megohms Minimum

**UL Insulation System File No.:** E74443

S155D 155°C Total Temperature Std.

(Covers S105 Class A and S130D Class B Requirements)

## OPERATE DATA

**Pick Up (at 25°C):** AC: Volts 85% or Less of Nominal  
DC: Volts 75% or Less of Nominal

**Operate Time:** Approx. 15 Milliseconds

**Release Time:** Approx. 15 Milliseconds

## ENVIRONMENTAL DATA

**Operating Ambient:** AC: -45° to 55°C (Except 262 & 267)

262 & 267: -45° to 65°C

DC: -45° to 70°C (Except 262 & 267)

262 & 267: -45° to 80°C

**Coil Temperature Rise:** (25°C Ambient – Continuous Duty)

AC: 45°C Approx. @ 60 Hz – Use at 50 Hz will

Cause Slight Increase in Coil Rise

DC: 25°C Approx. (Except 262 & 267)

262 & 267: 35°C Approx.

## MECHANICAL DATA

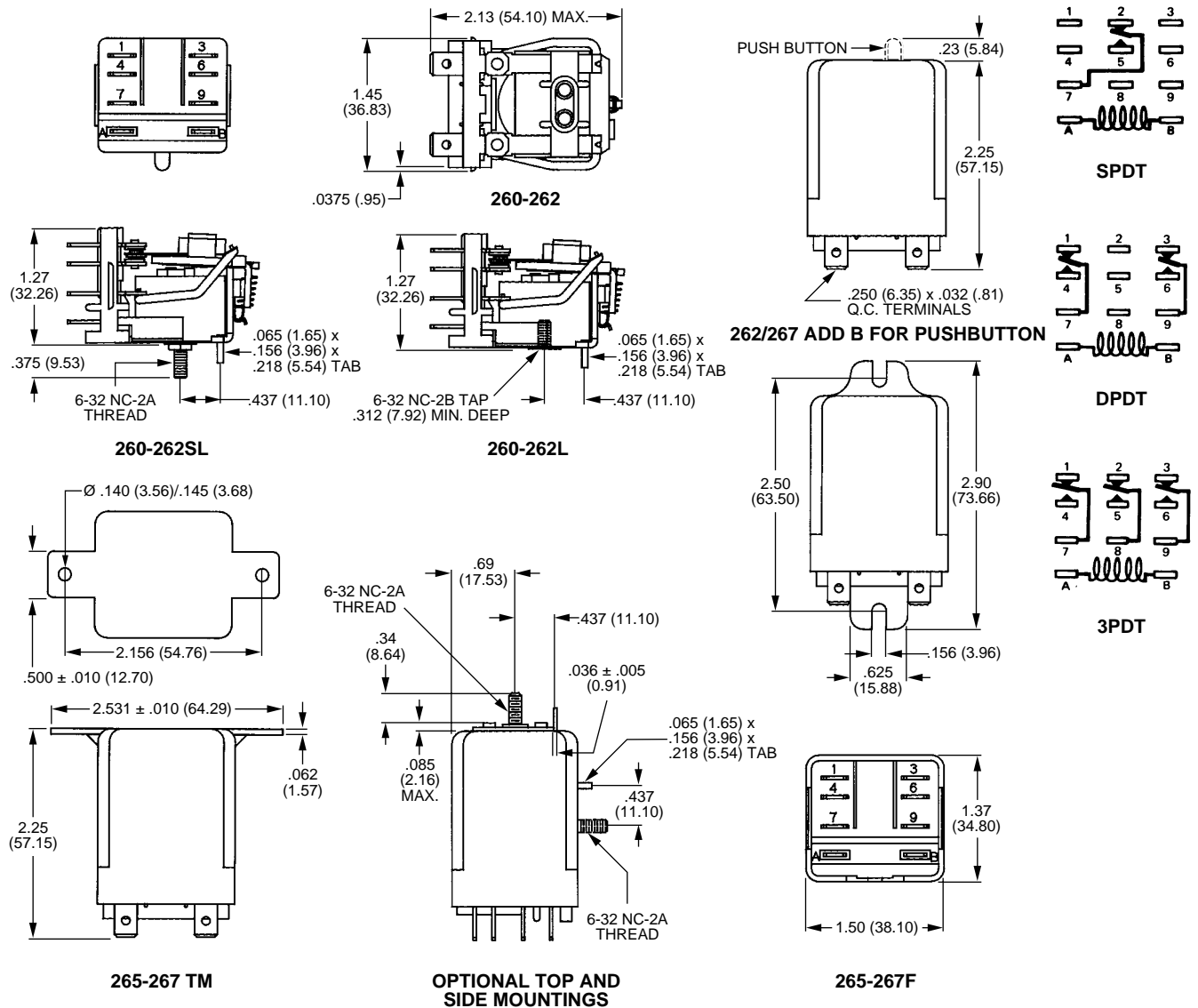
**Terminals:** .250" x .032" Quick Connect/Solder

**Cover:** Clear Polycarbonate – Flammability Rating 94V2

**Weight:** Approx. 3 oz. (85 g)

# DIMENSIONS [Unit Inch (mm)]

# SCHEMATICS



## ORDERING INFORMATION

### 5 AMP Part Numbers

MODEL	POLE CONFIGURATION	AC Coils			DC Coils		
		24VAC	120VAC	240VAC	12VDC	24VDC	110VDC
265F	SPDT	20596-82	20596-84	20596-85	20602-81	20602-82	20602-84
	DPDT	20597-82	20597-84	20597-85	20603-81	20603-82	20603-84
	3PDT	20874-82	20874-84	20874-85	20964-81	20964-82	20964-84

### 10 AMP Part Numbers

266F	SPDT	20598-82	20598-84	20598-85	20604-81	20604-82	20604-84
	DPDT	20599-82	20599-84	20599-85	20605-81	20605-82	20605-84
	3PDT	20914-82	20914-84	20914-85	20990-81	20990-82	20990-84

### 15 AMP Part Numbers

267F	SPDT	20600-82	20600-84*	20600-85	20606-81*	20606-82*	20606-84
	DPDT	20601-82*	20601-84*	20601-85	20607-81*	20607-82*	20607-84
	3PDT	20913-82	20913-84	20913-85	20860-81	20860-82	20860-84

\* Black Items are Normally Stocked.

Blue Items are Non Stock. Minimum Quantity May Be Required.