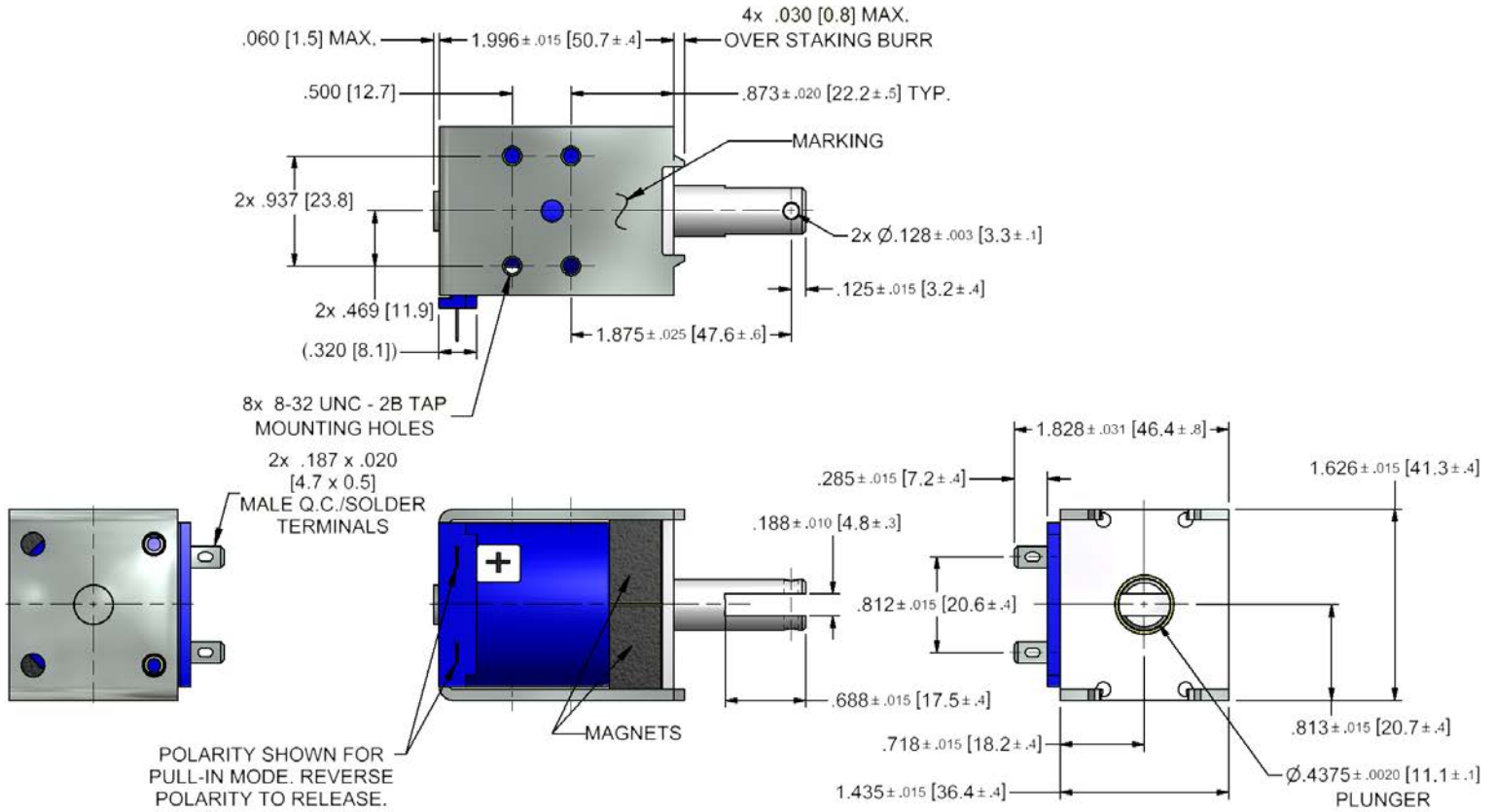


D4-ML

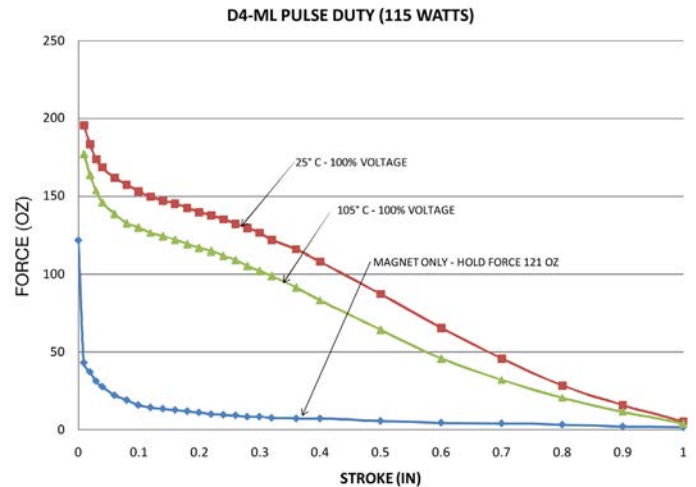
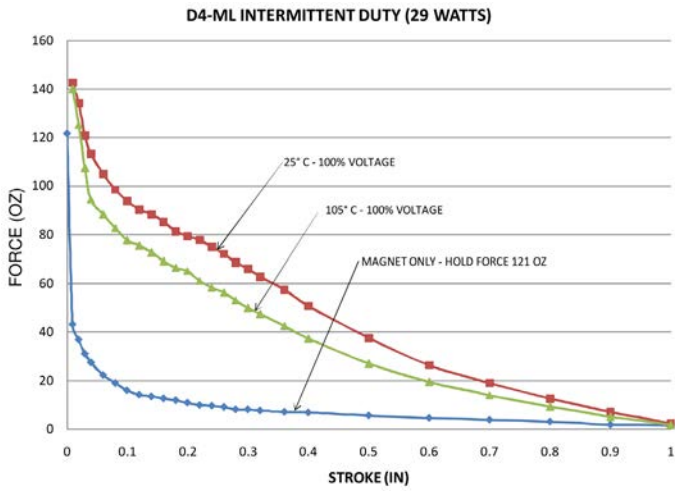
Dimensional View

Units: Inches [mm]



1. POSITIVE POWER SUPPLY (+) TO (+) FOR PULL-IN.
2. NEGATIVE POWER SUPPLY (-) TO (+) FOR RELEASE.

Force Curves



Standard intermittent duty cycle at nominal voltage is 25%, with three (3) minutes maximum "ON" and nine "9" minutes minimum "OFF" in a repetitive cycle. Standard Pulse duty cycle is 10% with 100 milliseconds "ON" and 900 milliseconds "OFF".
 NOTE: Approx. 36 sq. in Heat Sink Required.