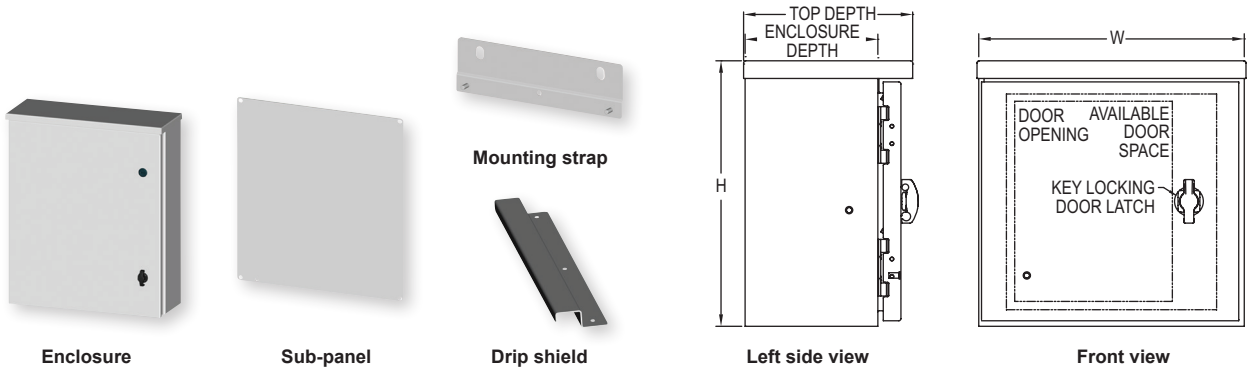


# GALVANNEALED STEEL ENCLOSURES

Wall Mounted, NEMA 3R, UL Approved



The **Series CSE-3R Galvannealed Steel Enclosures** are spot-welded, wall mounted enclosures designed to house electrical controls, instruments, and components in an outdoor environment. These units are made of carbon steel, NEMA 3R outdoor environment rated and carry a UL approval.

**FEATURES/BENEFITS**

- Concealed hinges that allow 180° of rotation for easy instrumentation access
- Quarter turn latch that can be opened/closed with a screwdriver, and ground studs on the door and body
- Mounting holes on the back of the enclosure allow for versatile mounting and standoffs provide easy installation of optional sub-panels. A rain cap and an oil resistant door gasket will protect instruments from rain, sleet, and snow. Each unit includes a 3/8-16 grounding kit and has the option of including a sub-panel, mounting strap, and/or a drip shield. This series is the perfect accessory for a variety of instrumentation in need of outdoor protection

**APPLICATIONS**

- HVAC indoor applications
- Housing general controls and gages

**SPECIFICATIONS**

**Materials:** Galvannealed steel enclosure; All other components: Carbon steel.  
**Rating:** NEMA 3R (IP32).  
**Dimensions:** See chart for enclosure dimensions; Sub-panel height = enclosure height - 3" (76 mm); Sub-panel width = enclosure width - 3" (76 mm); Mounting strap width = enclosure width - 4" (102 mm); Drip shield width = enclosure width.  
**Thickness:** 0.048" (1.22 mm) for drip shields; 0.060" (1.52 mm) for enclosures < 24" wide; 0.075" (1.91 mm) for enclosures ≥ 24" wide; 0.125" (3.18 mm) for sub-panels; 0.078" (1.98 mm) for mounting straps.  
**Weight:** See chart.  
**Agency Approvals:** CSA, cULus. (Meets the technical requirements of EU Directive 2011/65/EU (RoHS II)).

MODEL CHART											
Enclosure* Model	Height in (cm)	Width in (cm)	Depth in (cm)	Weight lb (kg)	Sub Panel* Model	Weight lb (kg)	Mounting Strap* Model	Weight lb (kg)	Drip Shield* Model	Weight lb (kg)	
CSE-3R-121206	12 (30)	12 (30)	6 (15)	15 (7)	A-SSE-P-1212	3 (1.4)	A-CSE-3M-12	2 (0.9)	A-CSE-D-12	2 (0.9)	
CSE-3R-161206	16 (41)	12 (30)	6 (15)	16 (7)	A-SSE-P-1612	4 (1.8)	A-CSE-3M-16	2 (0.9)	A-CSE-D-16	2 (0.9)	
CSE-3R-201606	20 (51)	16 (41)	6 (15)	25 (11)	A-SSE-P-2016	8 (3.6)	A-CSE-3M-20	3 (1.4)	A-CSE-D-20	3 (1.4)	
CSE-3R-242006	24 (61)	20 (51)	6 (15)	32 (15)	A-SSE-P-2420	14 (6.4)	A-CSE-3M-24	4 (1.8)	A-CSE-D-24	4 (1.8)	
CSE-3R-302408	30 (76)	24 (61)	8 (20)	60 (27)	A-SSE-P-3024	22 (10)			A-CSE-D-30	4 (1.8)	
CSE-3R-362408	36 (91)	24 (61)	8 (20)	62 (28)	A-SSE-P-3624	27 (12.2)					
CSE-3R-363008	36 (91)	30 (76)	8 (20)	70 (32)	A-SSE-P-3630	34 (15.4)					

\*For additional sizes contact factory.

ACCESSORIES	
Model	Description
A-CSE-L	Keylocking wing knob door latch, Includes 1 lock and 2 keys
A-CSE-K	Replacement keys, includes 2 keys

