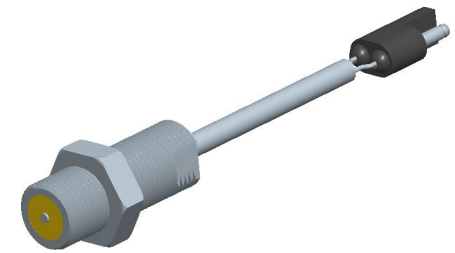
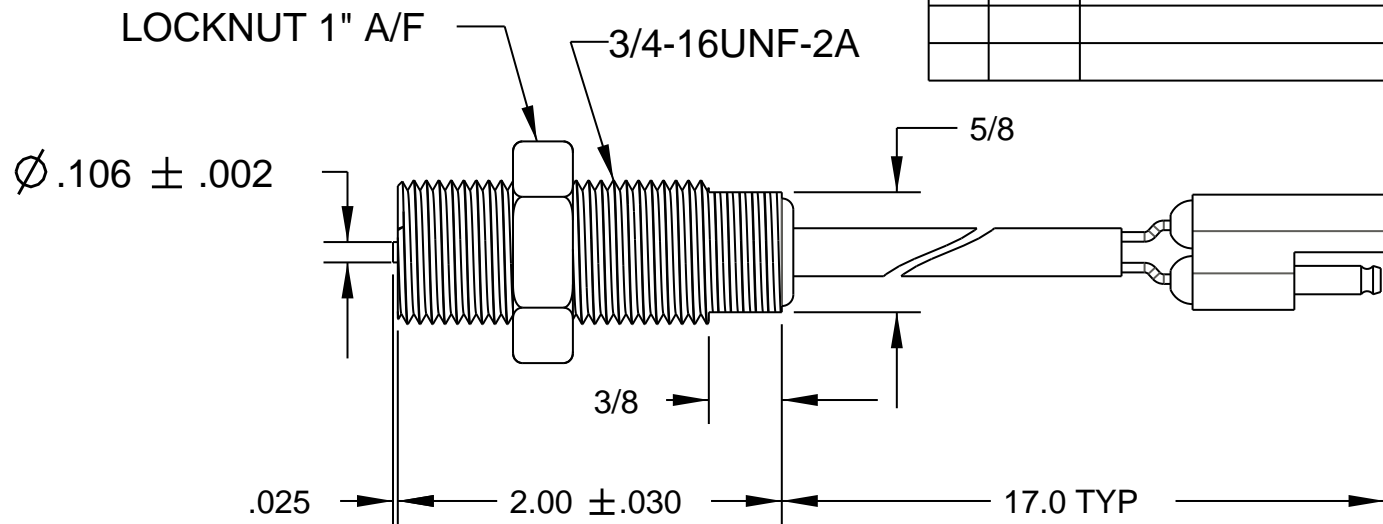


REV	ECN	DESCRIPTION	DATE	DR	CK
A	8117	REDRAW IN CAD	08/25/12	PF	MG



TEMPERATURE RANGE	OUTPUT VOLTAGE (SEE NOTE 1)	DC RESISTANCE AT 75 ° F	INDUCTANCE AT 1 KHZ	CONNECTOR (SEE NOTE 2)	INSUL. RESISTANCE AT 500 VDC	NET WEIGHT
-65 ° F TO +225 ° F	90-130 VP-P	1000-1300 OHMS	320 MH NOM	SAE DOUBLE BULLET .312	100 MEGOHMS MIN COIL TO HOUSING	OZ AVG.

NOTES:

- TESTED AT 1000 INCHES/SECOND WITH A 20 PITCH, 30 TOOTH GEAR, 0.005" CLEARANCE AND 100,000 OHM LOAD SHUNTED BY 250 PF.
- WITH APPROACH OF FERROUS METAL, WHITE LEAD IS POSITIVE WITH RESPECT TO BLACK LAED.

CONSTRUCTION:
HOUSING-- ALUMINUM
POLE PIECE--416 STAINLESS STEEL
POTTING--EPOXY RESIN

SPECIFICATION CONTROLLED DRAWING
BY VERMEER DWG/PN 141466-001 REV

ENG_WORR\PRODUCTS\PICKUPS\M356\ A_800-0356_01_REVA

DO NOT SCALE THIS DRAWING

THIRD ANGLE PROJECTION **Sheet 1 of 1**

DYNALCO

TOLERANCES
FRACT. DEC. ANGLES
±1/64 .XXX±.005 ±1/2°
.XX±.01

MODEL M356 DRAWN PF SCALE

PATH APPROVED LC NONE

TITLE MAGNETIC PICKUP, MODEL M356

MATERIAL

FINISH

DATE 03/04/97 **A** 800-0356 REV A

THIS DOCUMENT, ALL INFORMATION CONTAINED IN AND ALL INFORMATION RELATED TO THE PROPERTY OF DYNALCO CONTROLS, IS CONFIDENTIAL TO IT AND NO PART THEREOF NOR ANY SUCH INFORMATION MAY BE COPIED, DISSEMINATED OR USED IN ANY MANNER WHATSOEVER WITHOUT THE WRITTEN CONSENT OF DYNALCO AND IS TO BE RETURNED TO DYNALCO UPON REQUEST.