



AdaptaBeacon® Division 2 Strobes

Marine Rated Models

107DV2(†)ST Series

FEATURES

- > Bracket, Ceiling or Pendant Mount
- > High impact glass dome
- > Dome guard (optional)
- > 65 flashes per minute

Edwards AdaptaBeacon Strobe Lights are designed for installation in Division 2 environments. Rigid specifications and state-of-the-art technology provide for high visual output and low maintenance. The units are UL Listed for Type 3R and Type 4 installations. The 120V AC, 240V AC and 250V DC models are Marine Rated. Models are available for pendant, wall and ceiling mounting.

AGENCY APPROVALS

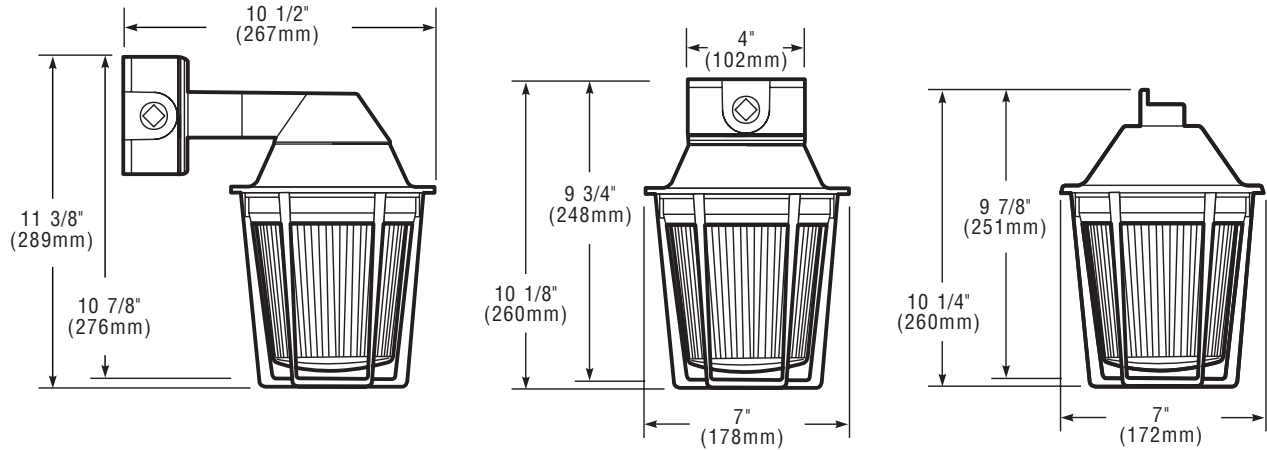
- > UL 1638 and 1604 Listed
- > cUL Listed C22.2 No. 205
- > NEMA Type 3R & Type 4 Rated
- > Marine UL 595 Listed Category UXUB (120V AC, 240V AC, 250V DC models)
- > Marine UL 1598A Listed (120V AC, 240V AC and 250V DC models)
- > UL Listed Class I, Div. 2

Designed for bracket hazardous location installation on a 4" (102mm) square mounting box. May be mounted in any orientation.

Typical industrial and commercial applications include: food processing plants, refineries, mines, tankers, laboratories, sewage treatment plants, water and filtration plants, and chemical plants.



TECHNICAL INFORMATION



Cat. No.	Mounting	Electrical Rating	Current	Replacement Dome	Replacement Inner Lens	Optional Dome Guard	Replacement Strobe Tube	Peak Candlepower
107DV2BST*-N5	Bracket	120V 60 Hz	0.1A	EDVPG1HR	96-L*	EDVPGU1	92-ST 3,000 hr. **	800,000
107DV2BST*-R5		240V 60 Hz	0.05A					
107DV2BST*-EK		12 - 48V DC	1.2A					
107DV2BST*-S1		250V DC	0.1A					
107DV2CST*-N5	Ceiling	120V 60 Hz	0.1A	EDVPG1HR	96-L*	EDVPGU1	92-ST 3,000 hr. **	800,000
107DV2CST*-R5		240V 60 Hz	0.05A					
107DV2CST*-EK		12 - 48V DC	1.2A					
107DV2CST*-S1		250V DC	0.1A					
107DV2PST*-N5	Pendant	120V 60 Hz	0.1A	EDVPG1HR	96-L*	EDVPGU1	92-ST 3,000 hr. **	800,000
107DV2PST*-R5		240V 60 Hz	0.05A					
107DV2PST*-EK		12 - 48V DC	1.2A					
107DV2PST*-S1		250V DC	0.1A					

*Letter in this position denotes color of the globe: A - amber, B - blue, C - clear, G - green, R - red or M - magenta.

**Calculated at operating power to 75% efficiency.

HAZARDOUS LOCATION LISTINGS

Class	Division	Group	Ambient Temperature	Operating Temperature Code
I	2	A,B,C,D	104F (40C) 131F (55C) 149F (65C)	T2 (300C, 572F) T1 (450C, 842F) T1 (450C, 842F)
II***	1 and 2***		104F (40C)	T4A (120C, 248F)
III***	1 and 2***		131F (55C) 149F (65C)	T4 (135C, 275F) T3C (160C, 320F)

***Pendant mount models only. Pendant mount models are also listed for use in Class II, Division 1, Groups E, F and G, Class II, Division 2, Groups F and G and Class III, Division 1 and 2 hazardous locations.