



Adaptatone® Millennium Remote Speaker/Amp

System Speaker Operation RS485 Activation

5532M & 5532MD Series

FEATURES

- > Output up to 110 dB at 10 ft
- > Corrosion resistant electrostatic heat flowed epoxy finish
- > Individual volume control
- > Suitable for Division 2 Locations
- > Captive Components
- > RS485 model available
- > Diode Polarized models

AGENCY APPROVALS

- > NEMA Type 3R
- > IP 44
- > UL 464 and 1604 Listed
- > UL & cUL Listed for indoor and outdoor application in Class I, Division 2, Groups A, B, C & D; Class II, Division 2, Groups F & G; and Class III Hazardous Locations
- > cUL C22.2 No. 205
- > TUV Rheinland Certified
- > CE Marked, LV & EMC Directives (Y6 AC only and AQ models)

SPECIFICATIONS

- > 24V DC battery backup terminals
- > Speaker can be rotated and locked in any horizontal direction

The Edwards 5532M Adaptatone Millennium Remote Speaker/Amplifier has been designed for high decibel system operation when connected to the 5540M Cental Tone Generator or 5541M System Master Panel. See Adaptatone MillenniumTone Generator, page 4-28.

Each Speaker/Amplifier operates directly from local power sources, making it possible in a single system to connect the remote Speaker/Amplifiers to local power sources of different voltages. Designed for either 1/2" (13mm) conduit or surface mounting.

The 5532M-485Y6 is designed to be connected to RS485 networks, allowing full signaling communication control.

The 5532MD-25AW and 5532MD-70AW are diode polarized units designed for use in applications requiring electrical supervision of signaling circuit field wiring. The 25AW utilizes a 25VRMS coupler board; the 70AW utilizes a 70VRMS coupler board.

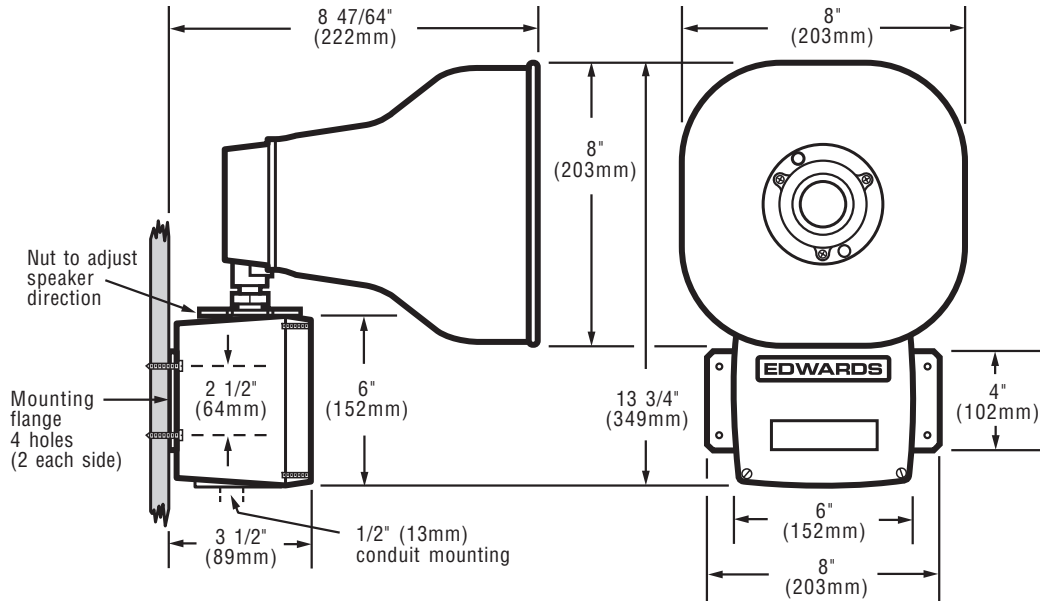
Adaptatone Signaling Systems are designed for industrial applications calling for high decibel output and microprocessor reliability combined with simultaneous signal delivery over all speakers included in the system. Typical applications include: emergency warning systems, plant evacuation alarms, security intrusion sirens, process monitoring, shift start-and-dismissal horns, and paging signals.

RS485 units are MED1 compatible. See page 4-10.

D-04



TECHNICAL INFORMATION



Cat. No.	Operating Voltage	Signal Off Standby Current (Amps)	Signal On Operating Current (Amps)
5532M-AQ	24V DC	0.10	0.64
	24V AC 50/60 Hz	0.10	1.22
5532M-N5	120V AC 50/60 Hz	0.10	0.23
5532M-Y6	120V AC 50/60 Hz	0.10	0.28
	240V AC 50/60 Hz	0.10	0.15
	125V DC	0.10	0.15
	250V DC	0.02	0.08
5532M-485Y6	120V AC 50/60 Hz	0.10	0.28
	240V AC 50/60 Hz	0.10	0.15
	125V DC	0.10	0.15
	250V DC	0.02	0.08
5532MD-25AW	20 - 24V DC	0.10	0.64
5532MD-70AW	20 - 24V DC	0.10	0.64