



Adaptatone® Electronic Signal

Explosionproof, Two Outputs

5533M Series

FEATURES

- > 55 tone capability - No additional tone modules needed
- > Internal volume control
- > Corrosion resistant heat flowed epoxy finish
- > Supplied with factory sealed 1/2" (13mm) threaded fitting for quick installation

AGENCY APPROVALS

- > UL 464 and 1203 Listed
- > UL Listed for Class I, Division 1 and 2, Groups B, C, and D hazardous locations

SPECIFICATIONS

- > Speaker swivels 180° vertically or horizontally depending on orientation of mounting bracket
- > 30" (762mm) numbered wire leads
- > Heavy duty zinc cast construction

The Edwards 5533M Adaptatone Signal is an explosionproof, heavy-duty industrial, tone-selectable, signaling device capable of producing volume-controlled, high-decibel tones. The signal accepts up to two contact closures and delivers two audible output signals selected from the 55 tones available. The two tones may be selected by setting miniature switches within the unit. One of the tones can be assigned a priority status to override the other tone. For more information on priority tone operation and a complete listing of all 55 tones, see page 4-55.

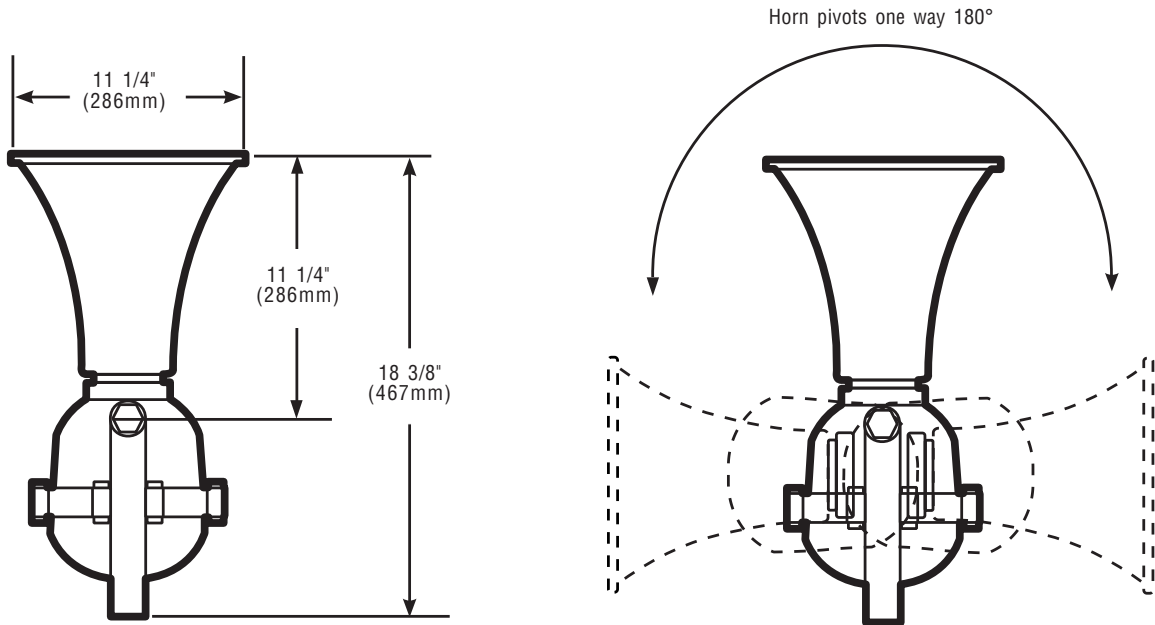
The electrical inputs activating the Adaptatone Signal are received from field-wired, normally open contacts or from the CatNo. 5538-4 Adaptatone Signal Actuator. (Not suitable for hazardous locations.) See page 4-49.

The 5533M Adaptatone mounts on any surface using three bolts. See Adaptatone Signaling Installation, pages 4-56.

For use where a high decibel sound is required for alert or evacuation in hazardous locations. Typical applications include signaling use in mining, granaries, flour mills, tankers, refineries, laboratories, spray booths, and other hazardous locations.



TECHNICAL INFORMATION



| Cat. No. | Operating Voltage | Signal Off Standby Current (Amps) | Signal On Operating Current (Amps) |
|----------|-------------------|-----------------------------------|------------------------------------|
| 5533M-AQ | 24V DC | 0.061 | 0.470 |
| | 36V DC | 0.077 | 0.600 |
| | 24V AC 50/60 Hz | 0.250 | 1.320 |
| 5533M-Y6 | 120V AC 50/60 Hz | 0.088 | 0.260 |
| | 240V AC 50/60 Hz | 0.091 | 0.190 |
| | 125V DC | 0.031 | 0.130 |
| | 250V DC | 0.019 | 0.070 |