

Installation Instructions for B-8526, B-N-8546, B-N-8590 and B-8599 Weatherproof Adaptahorns in NEMA 4X Enclosures

Description

The Edwards Catalog Series B-8526 and B-N-8546 (single projector, Figure 1) and B-N-8590 and B-8599 (double projector, Figure 2) units are weatherproof Adaptahorns in NEMA 4X Enclosures. The sound mechanism of each signal starts and stops instantly with current impulse. Both the single and double projector models are designed for use where a loud distinctive signal is needed, both indoors and outdoors. The Catalog Series B-N-8546 and B-N-8590 Adaptahorns are both UL listed and CSA certified and use a NEMA 4X enclosure.

Electrical Specifications

| Cat. No. | Volts | Current | VA | Coil Resistance (ohms) |
|-------------|---------------|---------|------|------------------------|
| B-N-8546-E5 | 12V 50/60 Hz | 1.6A | 19.2 | 3 |
| B-N-8546-G5 | 24V 50/60 Hz | 1.1A | 26.4 | 5 |
| B-N-8546-N5 | 120V 50/60 Hz | 0.2A | 24 | 146 |
| B-N-8546-R5 | 240V 50/60 Hz | 0.1A | 24 | 750 |
| B-8526-E1 | 12V DC | 1.5A | 18 | 3 |
| B-8526-G1 | 24V DC | 1.0A | 24 | 1.5 |
| B-8526-P1 | 125V DC | 0.2A | 25 | 103 |
| B-8526-S1 | 250V DC | 0.1A | 25 | 600 |
| B-N-8590-E5 | 12V 60 Hz | 1.6A | 19.2 | 3 |
| B-N-8590-G5 | 24V 60 Hz | 1.1A | 26.4 | 5 |
| B-N-8590-N5 | 120V 60 Hz | 0.2A | 24 | 146 |
| B-N-8590-R5 | 240V 60 Hz | 0.1A | 24 | 750 |
| B-8599-E1 | 12V DC | 1.5A | 18 | 3 |
| B-8599-G1 | 24V DC | 1.0A | 24 | 21.5 |
| B-8599-P1 | 125V DC | 0.2A | 25 | 103 |
| B-8599-S1 | 250V DC | 0.1A | 25 | 600 |

Installation

WARNING

To prevent electrical shock, ensure power is off before starting installation.

1. Mount the horn assembly securely to a flat surface in the desired location with (2) screws through the 3/8" (9.5 mm) diameter holes in the housing (Figure 1 or 2).
2. Remove the unit's cover.
3. Install conduit in the 1/2" (12.7 mm) NPT tapped hole in side of housing (3/4" (19 mm) NPT optional).
4. Using wire nuts, connect the ground wire to the green ground wire attached to the Adaptahorn housing; connect the

incoming power wires to the other two wire leads in accordance with applicable local codes.

5. Replace the unit's cover.

Maintenance

WARNING

Ensure that all power is off before performing maintenance.

1. Inspect the unit at least once a year for damage or wear.
2. Inspect all electrical and mechanical components for internal corrosion or wire discoloration.

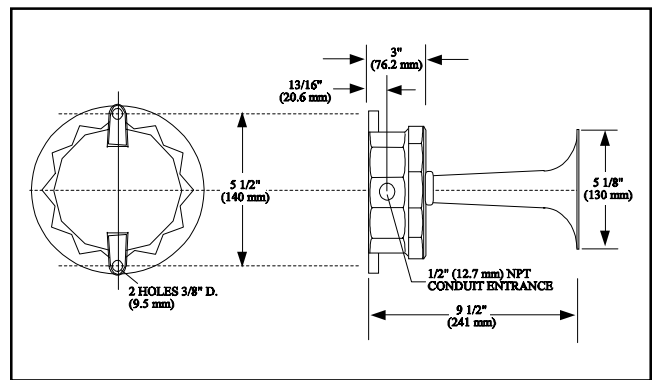


Figure 1. Single Projector Units (B-8526 and B-N-8546 Series)

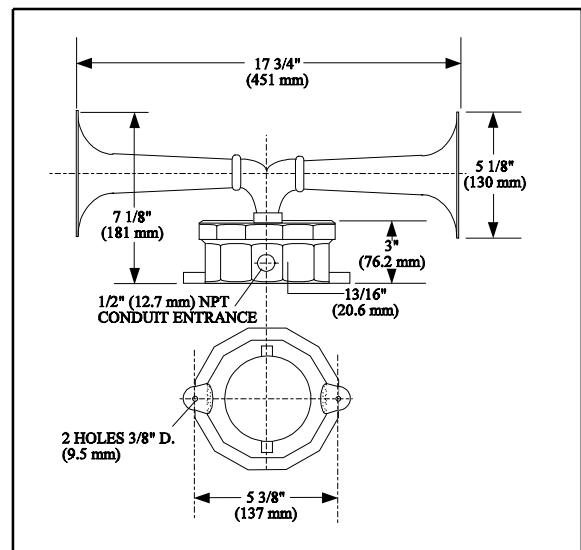


Figure 2. Double Projector Unit (B-N-8590 and B-8599 Series)