

Genesis™ Signal Master - Remote Mount

Product information

These instructions apply to model numbers G1M-RM, MG1M-RM, EG1M-RM, XLSG1M-RM, ADTG1M-RM, and G1M-RM-LG. The Genesis Signal Master-Remote Mount is compatible with the following Genesis model numbers:

Genesis Strobe *G1-V15**, *G1R-V15**, *G1-V30**, *G1R-V30**, *G1-V60**, *G1R-V60**, *G1-V75**, *G1R-V75**, *G1-V110**, and *G1R-V110**.

Genesis Temporal Horn-Strobe *G1-HV15**, *G1R-HV15**, *G1-HOV15**, *G1R-HOV15**, *G1-HV30**, *G1R-HV30**, *G1-HOV30**, *G1R-HOV30**, *G1-HV60**, *G1R-HV60**, *G1-HOV60**, *G1R-HOV60**, *G1-HV75**, *G1R-HV75**, *G1-HOV75**, *G1R-HOV75**, *G1-HOV110**, and *G1R-HOV110**.

Install in accordance with applicable requirements in the latest editions of the NFPA Codes and Standards and Canadian Electrical Code, Part 1, Section 32, and in accordance with the local Authorities Having Jurisdiction

If applicable substitute ADT, M, E, or XLS for *.

If applicable substitute -LG for **.

Specifications

Operating voltage: 20 - 31 Vdc

Operating current (mean):

Voltage	Strobe input	Horn input
20 Vdc	12 mA	4 mA
20 Vfwr	14 mA	4 mA
24 Vdc	13 mA	5 mA
24 Vfwr	15 mA	5 mA
31 Vdc	16 mA	6 mA

Maximum Output Rating: 3 A

Wire gauge: 12 AWG to 18 AWG

Operating temperature range: 32 - 120 °F (0 - 49 °C)

Operating humidity range: 0 - 93% RH

For the maximum number of devices configurable with the Genesis Signal Master - Remote Mount, see table below.

Genesis strobe candela rating	Maximum quantity
15 cd	39 devices
30 cd	21 devices
60 cd	16 devices
75 cd	14 devices
110 cd	13 devices

Compatible electrical boxes

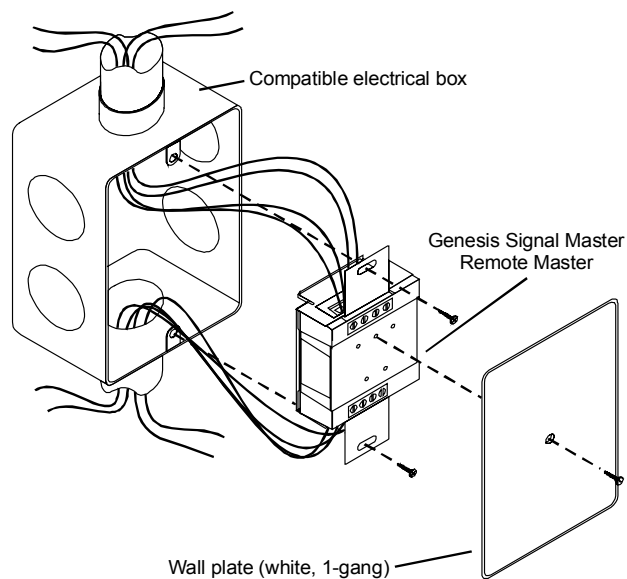
- North American 2-1/2 in (64 mm) deep 1-gang box
- Standard 4 in square box 1-1/2 in (38 mm) deep with 1-gang cover
- Recommended box size of 3-3/4 in x 2 in (95 mm x 51 mm) (H x W) or greater.

Installation instructions

The Genesis Signal Master-Remote Mount is shipped from the factory as an assembled unit; it contains no serviceable parts and should not be disassembled.

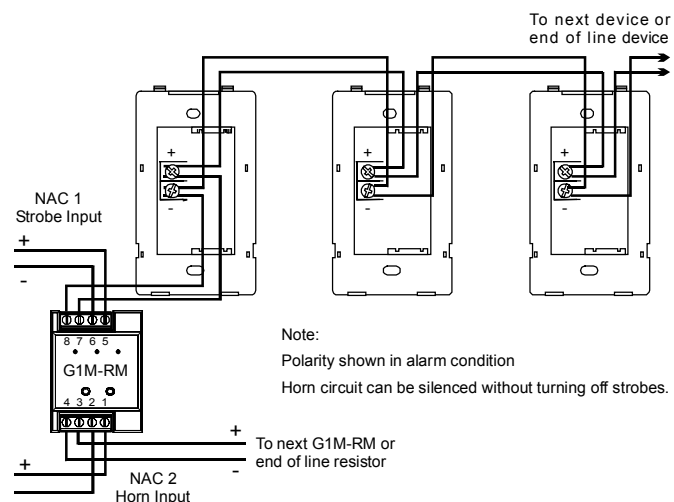
To install the Genesis Signal Master module:

1. Verify that all field wiring is free of opens, shorts, and ground faults.
2. Connect wires to Genesis Signal Master-Remote Mount as shown (See Wiring diagrams).
3. Using the two machine screws provided, mount the module to the electrical box.
4. Using the self-tapping screw provided, mount the wall plate to the module.

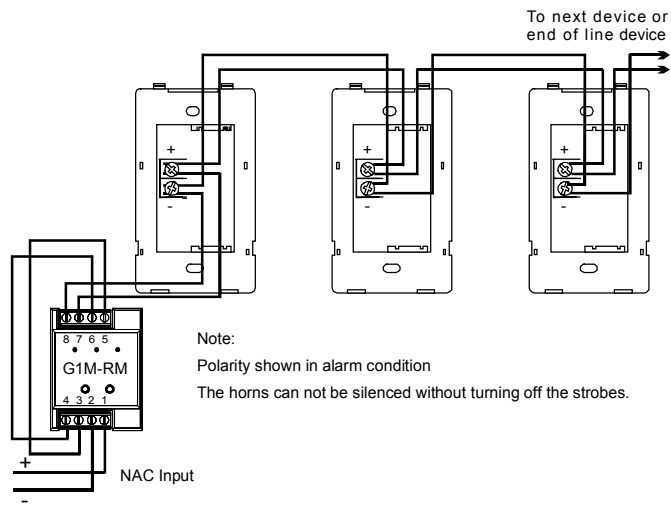


Wiring diagrams

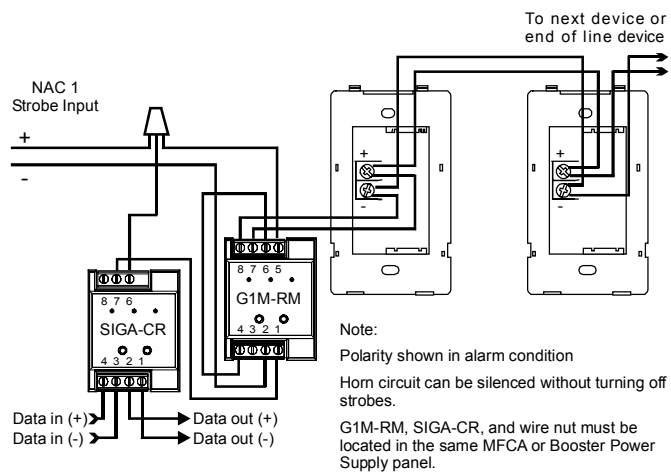
Horn silence / synchronization with two NACs



Synchronization with one NAC



Horn silence / synchronization with one NAC



Notes

Only one Genesis Signal Master-Remote Mount is required for each horn, strobe, or horn-strobe circuit.

The Strobe circuit of the Genesis Signal Master-Remote Mount requires a dedicated NAC.

The Horn circuit of the Genesis Signal Master-Remote Mount can be cascaded with other Genesis Signal Master modules on one NAC.

NAC circuit must be continuous in alarm mode.

For synchronization, maximum allowable resistance between any two devices is 20 Ω .

When determining allowable wire resistance, refer to voltage rating of the Genesis Signal Master-Remote Mount, the signaling device, and the control panel specifications.