

Double-deck terminal blocks

Compression clamp
DIN 1 - 3

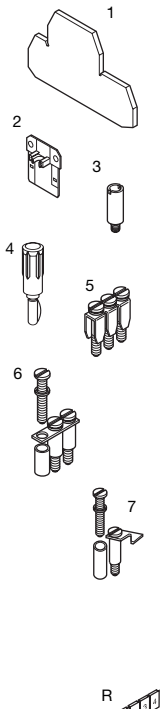


End stop	th. 9,1 mm	BAMH	0114 836.00
<i>Other end stops : See Accessories section</i>			
Rail	35 x 7,5 x 1	PR30 prepunched	0173 220.05
Rail	35 x 15 x 2,3	PR4	0168 500.12
Rail	35 x 15 x 1,5	PR5 prepunched	0101 598.26
Rail	32 x 15 x 1,5	PR1Z2	0163 050.04
<i>Other rails : See Accessories section</i>			
<i>Other accessories : See Accessories section</i>			

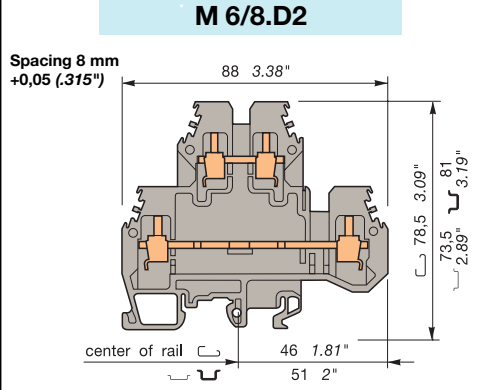
Notes

The use of some accessories may decrease the block's voltage rating. For more information, consult us.

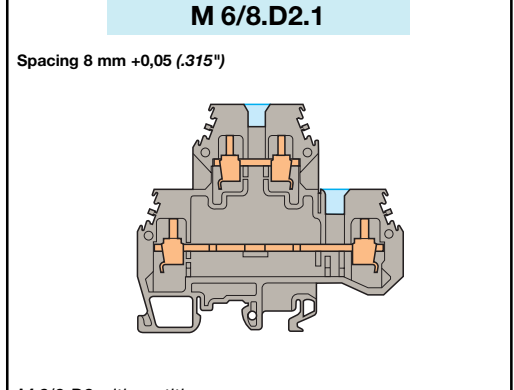
Accessories



Type	Part numbers
1 End section	grey grey beige V0
2 Circuit separator	grey
3 Test socket	grey
4 Test plug	
5 Assembled jumper bar	41 A 41 A (without IP20 protection) 41 A 41 A 41 A
Assembled jumper bar	41 A 41 A (with IP20 protection) 41 A 41 A 41 A
6 Jumper bar not assembled	41 A
7 Pivoting jumper bar	50 A
R	See section on marking method



Standard 8 mm block.



M 6/8.D2 with partition.

Color	Type	Part numbers
Grey	M 6/8.D2	0115 501.12
Beige V0	M 6/8.D2.V0	0195 501.13

Color	Type	Part numbers
Grey	M 6/8.D2.1	0115 497.06

Characteristics

Wire size	IEC		UL	CSA
	NFC	DIN		
Compression Solid wire	0,5-10 mm ²		24-8 AWG	24-8 AWG
clamp Stranded wire	0,5-6 mm ²		24-8 AWG	24-8 AWG

Characteristics

Wire size	IEC		UL	CSA
	NFC	DIN		
Compression Solid wire	0,5-10 mm ²		24-8 AWG	24-8 AWG
clamp Stranded wire	0,5-6 mm ²		24-8 AWG	24-8 AWG

Voltage				
Rated	800 V	600 V	600 V	
Pulse	8 kV			
Pollution degree	3			
Current				
Rated	41 A	50 A	45 A	
Wire size				
Rated / Gauge	6 mm ² / A5	8 AWG	8 AWG	
Wire stripping length	Recomm. Screwdriver	Recomm. torque	Protection	
12 mm	4-5 mm	0,8-1 Nm	IP 20	
.47"	.157"-.197"	7.1-8.9 lb.in	NEMA 1	

Voltage				
Rated	800 V	600 V	600 V	
Pulse	8 kV			
Pollution degree	3			
Current				
Rated	41 A	50 A	45 A	
Wire size				
Rated / Gauge	6 mm ² / A5	8 AWG	8 AWG	
Wire stripping length	Recomm. Screwdriver	Recomm. torque	Protection	
12 mm	4-5 mm	0,8-1 Nm	IP 20	
.47"	.157"-.197"	7.1-8.9 lb.in	NEMA 1	

Type	Part numbers
FEM8D1	th. 1 mm 0116 656.25
FEM8D2	th. 4 mm 0116 657.26
FEM8D1	th. 1 mm 0196 656.26
SCM6	0113 003.10
AL2 (1)	DIA. 2 mm 0163 043.21
AL3 (1)	DIA. 3 mm 0163 261.00
AL4 (1)	DIA. 4 mm 0163 262.01
FC2	DIA. 2 mm 0007 865.25
FC4	DIA. 4 mm 0167 860.01
BJM8 (1)	2 poles 0168 520.05
BJM8 (1)	3 poles 0168 521.22
BJM8 (1)	4 poles 0168 522.23
BJM8 (1)	5 poles 0168 523.24
BJM8 (1)	10 poles 0168 974.00
BJMI8 (1)	2 poles 0176 669.16
BJMI8 (1)	3 poles 0176 670.13
BJMI8 (1)	4 poles 0176 671.00
BJMI8 (1)	5 poles 0176 672.01
BJMI8 (1)	10 poles 0176 673.02
BJS8 (1) (3)	20 poles 0174 789.05
BJP82	0163 169.04

Type	Part numbers
FEM8D1	th. 1 mm 0116 656.25
FEM8D2	th. 4 mm 0116 657.26
AL2	DIA. 2 mm 0163 043.21
AL3	DIA. 3 mm 0163 261.00
AL4	DIA. 4 mm 0163 262.01
FC2	DIA. 2 mm 0007 865.25
FC4	DIA. 4 mm 0167 860.01
BJM8 (2)	2 poles 0168 520.05
BJM8 (2)	3 poles 0168 521.22
BJM8 (2)	4 poles 0168 522.23
BJM8 (2)	5 poles 0168 523.24
BJM8 (2)	10 poles 0168 974.00
BJMI8 (2)	2 poles 0176 669.16
BJMI8 (2)	3 poles 0176 670.13
BJMI8 (2)	4 poles 0176 671.00
BJMI8 (2)	5 poles 0176 672.01
BJMI8 (2)	10 poles 0176 673.02
BJS8 (3)	20 poles 0174 789.05
BJP82	0163 169.04

(1) (17) Sides of block

Note : (1) A circuit separator SC may be required with the use of these accessories. (2) Use of these accessories requires the user to cut out the partition. (3) See section Accessories for other configuration of poles.