

Triple-deck terminal blocks



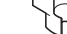

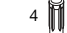


Compression clamp

 DIN 3

End stop	th. 12 mm	BADH V2	0116 900.27
End stop	th. 9,1 mm	BAMH V0	0194 836.01
End stop	th. 9,1 mm	BAMH V2	0114 836.00
<i>Other end stops : see Accessories section</i>			
Rail	35 x 7,5 x 1	PR3G2	0164 800.03
Rail	35 x 7,5 x 1	PR3Z2	0174 300.17
Rail	35 x 7,5 x 1	PR30 prepunched	0173 220.05
Rail	35 x 15 x 2,3	PR4	0168 500.12
Rail	35 x 15 x 1,5	PR5 prepunched	0101 598.26
<i>Other rails : see Accessories section</i>			
<i>Other accessories : see Accessories section</i>			

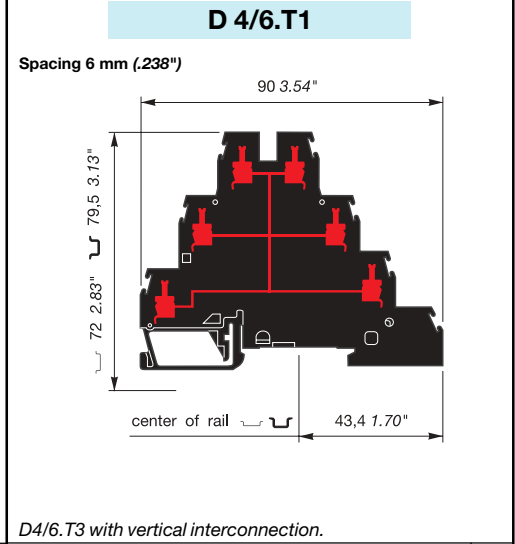
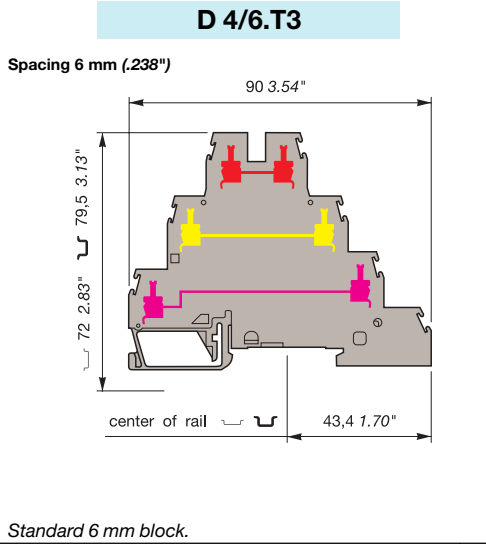
Notes


Accessories


	1 End section	
	2 Circuit separator	white
	3 Test socket	
	4 Test plug	
	5 Assembled jumper bar	32A
	6 Comb type jumper bar	32A
	7 IDC jumper	24A



R See section on markers marking method



Color	Type	Part numbers
3 "feed-through" circuits		
Grey V0	 D 4/6.T3	0299 683.01

Color	Type	Part numbers
6 interconnected clamps Isolated from ground		
Black V0	 D 4/6.T1	0199 219.03

Characteristics

Wire size	Wire size		
	IEC NFC DIN	UL	CSA
Compression Solid wire	0,2-4 mm ²	24-10 AWG	24-10 AWG
clamp Stranded wire	0,22-4 mm ²	24-10 AWG	24-10 AWG

Characteristics

Wire size	Wire size		
	IEC NFC DIN	UL	CSA
Compression Solid wire	0,2-4 mm ²	24-10 AWG	24-10 AWG
clamp Stranded wire	0,22-4 mm ²	24-10 AWG	24-10 AWG

Voltage

Rated	500 V	300 V	300 V
Pulse	6 kV		
Pollution degree	3		

Voltage

Rated	500 V	300 V	300 V
Pulse	6 kV		
Pollution degree	3		

Current

Rated	32 A	20 A	20 A
-------	------	------	------

Current

Rated	32 A	20 A	20 A
-------	------	------	------

Wire size

Rated/gauge	4 mm ² / A4	10 AWG	10 AWG
Wire stripping length	Recommended screwdriver	Recommended torque	Protection
9,5 mm .37"	4 mm .16"	0,5-0,8 Nm 4.4-7 lb.in	IP 20 NEMA 1

Wire size

Rated/gauge	4 mm ² / A4	10 AWG	10 AWG
Wire stripping length	Recommended screwdriver	Recommended torque	Protection
9,5 mm .37"	4 mm .16"	0,5-0,8 Nm 4.4-7 lb.in	IP 20 NEMA 1

Type

Type	Part numbers
No end section needed : closed block	
SCD (3) V2	0103 189.26
AL2 (2) (3)	0167 319.06
FC2 (1) (3)	0007 865.26
BJM62 (3)	2 poles 0173 217.26
BJM62 (3)	3 poles 0173 218.07
BJM62 (3)	4 poles 0173 219.00
BJM62 (3)	5 poles 0173 221.22
BJM62 (3)	6 poles 0174 112.16
BJM62 (3)	7 poles 0174 113.17
BJM62 (3)	8 poles 0174 114.10
BJM62 (3)	9 poles 0174 115.11
BJM62 (3)	10 poles 0173 226.27
PC61	10 poles 0163 311.22
AD2,5 V2	0114 205.20

Type

Type	Part numbers
No end section needed : closed block	
PC61	10 poles 0163 311.22
AD2,5 V2	0114 205.20

⑤ Note : RC65 blank (white, red, blue)
 (1) For block equipped with AL2. (2) A circuit separator **SCD** is required with the use of these accessories. (3) Only for upper deck.