

Fuse holder terminal blocks

Double-deck

for 5 x 20 and 5 x 25 mm fuses

Compression clamp

 **DIN 1 - DIN 3**

End stop	th. 9,1 mm	BAMH	0114 836.00
<i>Other end stops : See Accessories section</i>			
Rail	35 x 7,5 x 1	PR30 prepunched	0173 220.05
Rail	35 x 15 x 2,3	PR4	0168 500.12
Rail	35 x 15 x 1,5	PR5 prepunched	0101 598.26
Rail	32 x 15	PR122	0163 050.04
<i>Other rails : See Accessories section</i>			

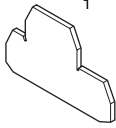
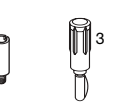
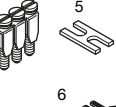
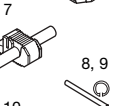
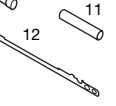

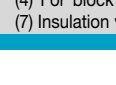
Notes

The use of some accessories may decrease the block's voltage rating. For more information, consult us.

* Blocks with LED indicator are labeled "+" on the outside of the lever. The indicator can be reversed in the field if required.



Accessories

	1 End section	grey	FEM8D2S (V2)	0116 913.07
	2 Test socket		FEM8D2S (V0)	0196 913.00
	3 Test plug		AL2 (1)	DIA. 2 mm 0163 043.21
	4 Assembled jumper bar		AL3 (1)	DIA. 3 mm 0163 261.00
	5 Connector plate		AL4 (1)	DIA. 4 mm 0163 262.01
	6 Comb-type jumper bar		FC2 (3)	DIA. 2 mm 0007 865.26
	7 IDC jumper		FC4 (4)	DIA. 4 mm 0167 860.01
	8 Assembly rod		BJM8 (1)	41 A 0168 520.05
	9 Assembly ring		BJM8 (1)	41 A 0168 521.22
	10 Fuse 5 x 20 mm	250 V	BJM8 (1)	41 A 0168 522.23
	Fuse 5 x 25 mm	250 V	BJM8 (1)	41 A 0168 523.24
	Fast acting HPC 1500 A		BJM8 (1)	41 A 0168 523.24
			BJM8 (1)	41 A 0168 974.00
			EL6	35 A 0173 627.21
			PC81	35 A 10 poles 0173 523.11
			AD2,5	24 A 0114 205.20
			TGA8	2 poles 0168 672.11
				3 poles 0168 673.12
				4 poles 0168 674.13
			ANT	0168 675.14
			FU520	0,5 A 0008 288.15
				1 A 0008 290.13
				2 A 0008 291.00
				3,15 A 0008 289.16
				5 A 0008 292.01
			FU525	1,6 A 0167 546.22
				2 A 0167 547.23
				2,5 A 0167 548.04
				4 A 0167 549.05
				6,3 A 0167 550.02
			CN5	0168 804.07
			CBD2S	0178 408.14

R See section on markers marking method

(6) RC 610 on grip

(17) RC 810 on side

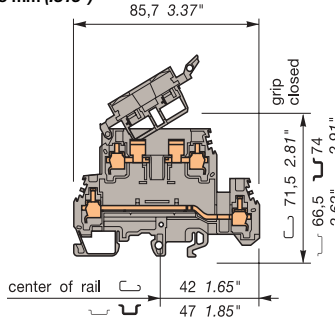
(6) RC 610 on grip

(17) RC 810 on side

Note: (1) Only for lower deck. (2) Only for upper connection. Use of these accessories requires the user to cut out the partition. (3) For block equipped with test socket AL2. (4) For block equipped with test socket AL4. (5) Leakage current with neon lamp : < 0,5 mA (110 VAC), < 0,7 mA (230 VAC). (6) Leakage current with LED 24 or 48 VDC < 4,5 mA. (7) Insulation voltage of terminal block - operating voltage : in accordance with fuse rating.

M 4/8.D2.SF

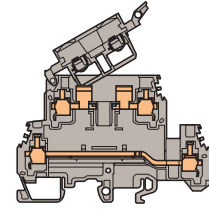
Spacing 8 mm (.315")



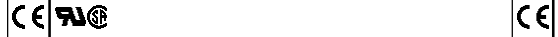
Standard block.



M 4/8.D2.SF...




Spacing 8 mm (.315")



M 4/8.D2.SF with blown fuse indicator. Grey body.



Color	Type	Part numbers
Grey	 M 4/8.D2.SF	0115 604.21
Beige V0	 M 4/8.D2.SF.V0	0195 604.22

Color	Type	Part numbers
Neonlamp110-230V(5)	 M 4/8.D2.SFL	0115 646.22
LED 24 V (6)	 M 4/8.D2.SFD	0115 647.23
LED 48 V (6)	 M 4/8.D2.SFD1	0115 648.04

Characteristics

Wire size	Wire size			
	IEC	UL	CSA	
Compression clamp	Solid wire	0,5-4 mm ²	24-12 AWG	24-12 AWG
	Stranded wire	0,5-4 mm ²	24-12 AWG	24-12 AWG

Characteristics

Wire size	Wire size			
	IEC	UL	CSA	
Compression clamp	Solid wire	0,5-4 mm ²	24-12 AWG	24-12 AWG
	Stranded wire	0,5-4 mm ²	24-12 AWG	24-12 AWG

Voltage			
Rated	630 V (7)	300 V (1)	250 V
Pulse	8 kV		
Pollution degree	3		
Current			
Rated	6,3 A	10 A	10 A
Wire size			
Rated / Gauge	4 mm ² / A4	12 AWG	12 AWG
Wire stripping length	Recomm. screwdriver 4 mm .37"	Recomm. torque 0,5-0,8 Nm 4,4-7 lb.in	Protection IP 20

Voltage			
Rated	500 V (7)	300 V (1)	250 V
Pulse	6 kV		
Pollution degree	3		
Current			
Rated	6,3 A	10 A	10 A
Wire size			
Rated / Gauge	4 mm ² / A4	12 AWG	12 AWG
Wire stripping length	Recomm. screwdriver 4 mm .37"	Recomm. torque 0,5-0,8 Nm 4,4-7 lb.in	Protection IP 20