

## Specifications

### MATERIALS

**Insert Material:** Nitrile Rubber

**Contact:** Brass, Gold Plated over Nickel

**Sleeve:** Stainless Steel

**Shell:** Machined Aluminum, Black Anodized (stainless steel available)

**Wire:** #16 AWG/600 Volts 26 x #30 Stranding

**"O" Ring:** Viton

Lock nut: Plated Steel (not pictured)

### ELECTRICAL

**Voltage Rating:** 600 VAC

**Contact Resistance:**  $\leq 5m \Omega$

### ENVIRONMENTAL

**Protection:** IP68, NEMA 6P

**Operating Temp:** -50°C to 90°C (UL),  
-34°C to 90°C (CSA)

### CERTIFICATIONS



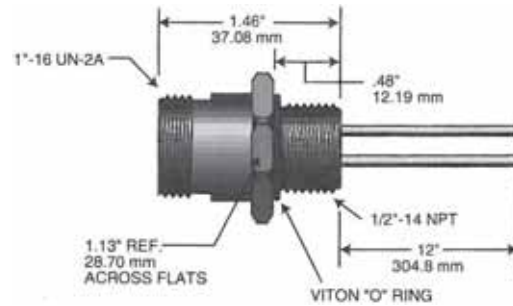
### OPTIONS

Stainless Steel Hardware can be specified - add "SS" after Part Number; to specify 18 AWG Wire add "-18" after the Part Number.

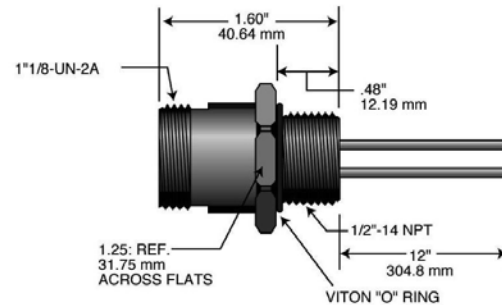
Not available in stainless steel.

## DIMENSIONS

### 6B-8 POLE Receptacle



### 6B-12 POLE Receptacle



# MINI-SYNC™ - 6B-12 Pole Receptacles

Poles	Face View	Rating	Wiring Code	Overall Length (ft./m)	Male Straight Receptacle 12 in. Leads	Female Straight Receptacle 12 in. Leads
<b>6 B Size</b>		8A 600V	1-White 2-Red 3-Green 5-Black 4-Orange 6-Blue 7-Green	12 inches	<b>86BMRC</b>	<b>86BFRC</b>
<b>8</b>		8A 600V	1-White 2-Red 3-Green 5-Black 4-Orange 6-Blue 7-Green 8-White-Blk.Tr.	12 inches	<b>88MRC</b>	<b>88FRC</b>
<b>9</b>		7A 600V	1-Orange 2-Blue 3-Red-Blk.Tr. 4-Green-Blk.Tr. 5-White 6-Red 7-Green 8-White-Blk.Tr. 9-Black	12 inches	<b>89MRC</b>	<b>89FRC</b>
<b>10</b>		7A 600V	1-Orange 2-Blue 3-White-Blk.Tr. 4-Red-Blk.Tr. 5-Green-Blk.Tr. 6-Orange-Blk.Tr. 7-Red 8-Green 9-Black 10-White	12 inches	<b>810MRC</b>	<b>810FRC</b>
<b>12</b>		7A 600V	1-Orange 2-Blue 3-White-Blk.Tr. 4-Red-Blk.Tr. 5-Green-Blk.Tr. 6-Orange-Blk.Tr. 7-Blue-Blk.Tr. 8-Black-Wht.Tr. 9-Green 10-Red 11-White 12-Black	12 inches	<b>812MRC</b>	<b>812FRC</b>

