

SPECIFICATIONS

MATERIALS

Body: PVC
O-Ring: Nitrile Rubber
Contact Carrier: Zytel ST801
Contact: Brass, Gold Plated over Nickel
Coupling Nut: Machined Aluminum, Clear Anodized
Cable: #22 AWG PVC 26 x #36 stranding, 105°C,
 Or #18 AWG PVC 41 x #34 stranding, 105°C,
 UL Recognized, CSA Certified
Cable Diameters: #22 AWG PVC w/o braid, 2/C-.17",
 3/C-.18", 4/C-.19", 5/C-.21", 6/C-.22"

ELECTRICAL

Voltage Rating: 300 VAC
Current Rating: #22 AWG 2 to 5 Pole – 4A,
 6 Pole – 3A, #18 AWG – 5A
 Contact Resistance: <5mΩ

ENVIRONMENTAL

Protection: IP68, NEMA 6P
Operating Temp: -20°C to 105°C
 Certifications



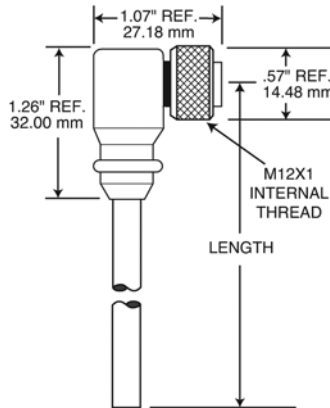
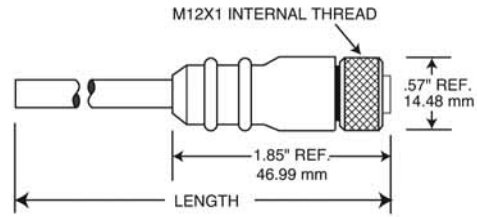
OPTIONS

#18 AWG (PVC) Plug Assemblies (2-5) Poles
 Stainless Steel Couplers
 Plastic Couplers

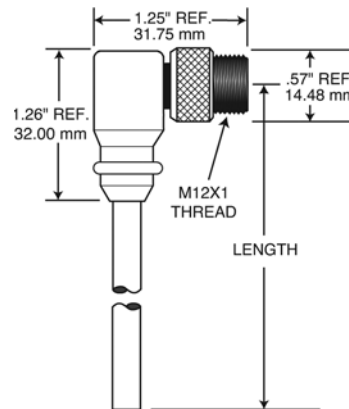
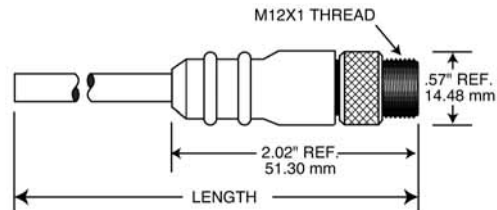
Consult the factory for custom wire length and a full range of wire management product accessories

DIMENSIONS




Female Plugs



Male Plugs



MICRO-SYNC™ - Single Key (DC) Male & Female - Straight & 90°

Poles	Face View	Rating	Wiring Code	Overall Length (m/ft.)	MICRO-SYNC™ Straight Male	MICRO-SYNC™ Male 90°	MICRO-SYNC™ Female Straight	MICRO-SYNC™ Female 90°
3	Male 	4A 300V	1-Brown 2-N/A 3-Blue 4-Black	2m / 6.6 ft.	93MSE2G	93M9E2G	93FS2G	93F92G
	4m / 13.1 ft.			93MSE4G	93M9E4G	93FS4G	93F94G	
	5m / 16.3 ft.			93MSE5G	93M9E5G	93FS4G	93F95G	
4	Male 	4A 300V	1-Brown 2-White 3-Blue 4-Black	2m / 6.6 ft.	94MSE2G	94M9E2G	94FS2G	94F92G
	4m / 13.1 ft.			94MSE4G	94M9E4G	94FS4G	94F94G	
	5m / 16.3 ft.			94MSE5G	94M9E5G	94FS5G	94F95G	
5	Male 	4A 300V	1-Brown 2-White 3-Blue 4-Black 5-Grey	2m / 6.6 ft.	95MSE2G	95M9E2G	95FS2G	95F92G
	4m / 13.1 ft.			95MSE4G	95M9E4G	95FS4G	95F94G	
	5m / 16.3 ft.			95MSE5G	95M9E5G	95FS5G	95F95G	

