

Actuators for safety switches NX/TX

- ▶ Actuators made of stainless steel
- ▶ Two stainless safety screws per actuator
- ▶ With rubber bush

Straight actuator

The straight actuator is used on sliding doors or hinged doors with door radii greater than 300 mm. Safety screws prevent unscrewing of the actuator.

Actuator with overtravel

- ▶ 2 mm for doors with normal play
- ▶ 7 mm for doors with large play (optional)

Actuators with rubber bushings

For flexible mounting of the actuator.

Hinged actuator

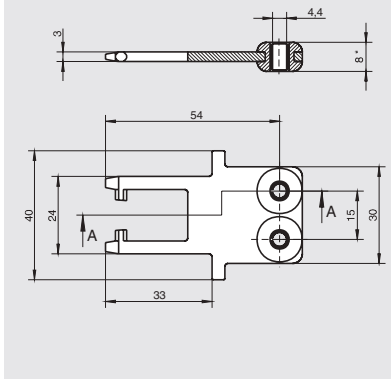
For door radii less than 300 mm a hinged actuator should be used. The spring action movement of the actuator prevents damage due to the actuator jamming in the actuating head. Depending on the movement of the safety guard, the actuator must be selected for left/right or top/bottom.

Screws made of stainless steel

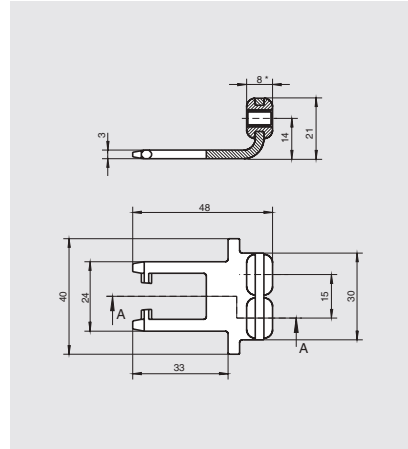
The safety screws included can be inserted with a normal tool, but cannot be removed again.

Actuator X-GQ straight
Rubber bush, overtravel 2 mm

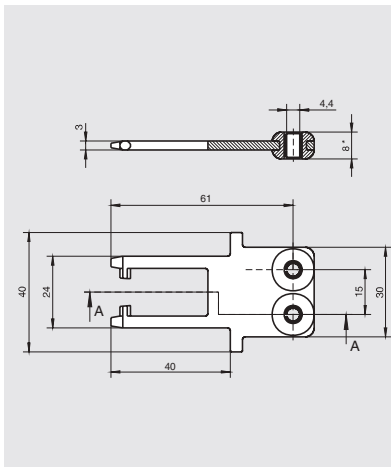
Dimension drawings



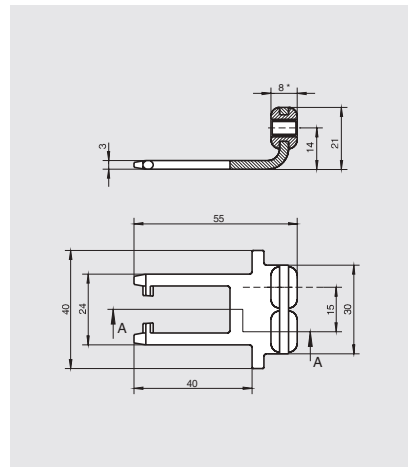
Actuator X-WQ bent
Rubber bush, overtravel 2 mm



Actuator X-GNQ straight
Rubber bush, overtravel 7 mm



Actuator X-WNQ bent
Rubber bush, overtravel 7 mm



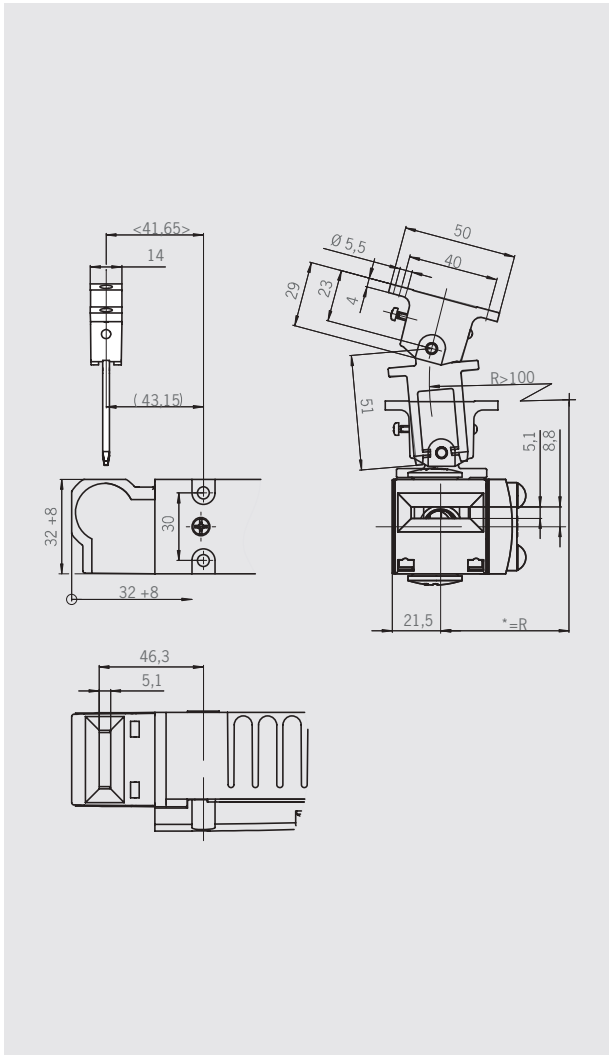
Ordering table

Designation	Version	Min. door radius r [mm]	Packaging unit	Order No.
Actuator straight rubber bush	X-GQ Overtravel 2 mm incl. 2 safety screws M4 x 14	300	1 ea.	079 739 ACTUATOR-X-GQ
Actuator bent rubber bush	X-WQ Overtravel 2 mm incl. 2 safety screws M4 x 14	300	1 ea.	079 740 ACTUATOR-X-WQ
Actuator straight rubber bush, overtravel	X-GNQ Overtravel 7 mm incl. 2 safety screws M4 x 14	440	1 ea.	079 741 ACTUATOR-X-GNQ
Actuator bent rubber bush, overtravel	X-WNQ Overtravel 7 mm incl. 2 safety screws M4 x 14	440	1 ea.	079 742 ACTUATOR-X-WNQ

* The dimension 8 relates to the fitted state

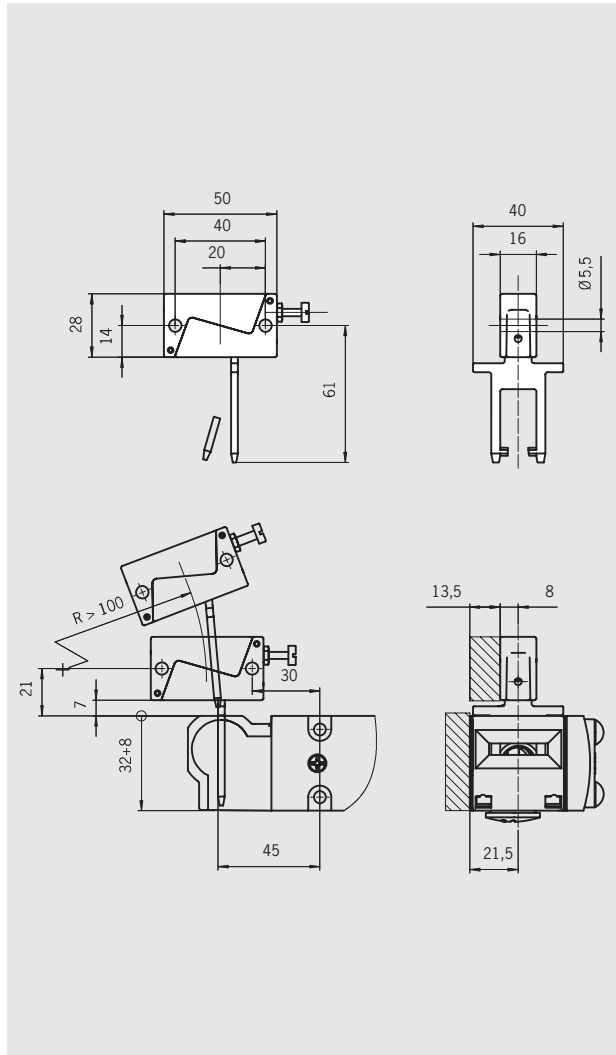
Hinged actuator X-LR-N

Safety guard hinged on the right/left



Hinged actuator X-OU-N

Safety guard hinged at bottom/top



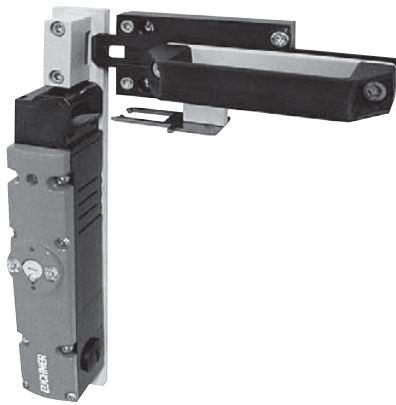
Ordering table

Designation	Version	Min. door radius r [mm]	Packaging unit	Order No.
Hinged actuator	X-LR-N Safety guard hinged on the right or left incl. 2 safety screws M5 x 10	≥ 100	1 ea.	098 082 HINGED ACTUATOR-X-LR-N
	X-OU-N Safety guard hinged at top or bottom incl. 2 safety screws M5 x 10	≥ 100	1 ea.	097 906 HINGED ACTUATOR-X-OU-N

For safety precautions see page 164
For technical data see page 139

Bolts for safety guards

- ▶ For safety switches TX and NX
- ▶ For right or left hinged doors

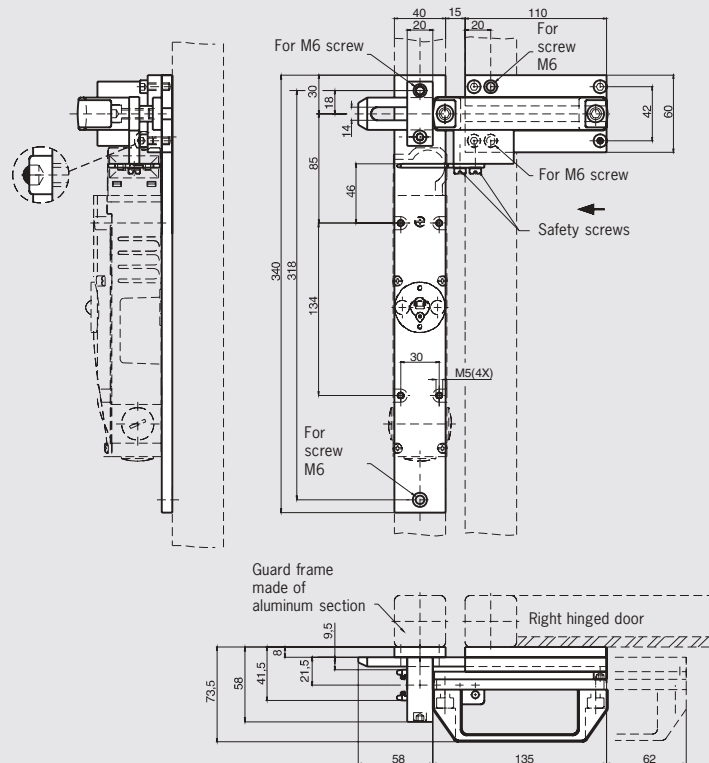


Features

- ▶ Easily fitted to standard aluminum profiles and machine covers by screw connection
- ▶ Distinctive yellow color for easy recognition
- ▶ No additional door handle necessary
- ▶ Slot on the bolt tongue permits attachment of padlocks

Bolt for safety switches series TX and NX

Dimension drawings



Ordering table

Designation	Detent mechanism	Version	Order No.
Bolt TX-A	None	Without escape release, for right hinged doors actuator and switch bracket included	082 990 Bolt TX-A
Bolt TX-C	None	Without escape release, for left hinged doors actuator and switch bracket included	082 991 Bolt TX-C

Accessories for safety switches

Solenoid plug		
Parameter	Value	Unit
Housing material	Plastic	
Number of pins	3 (2 + PE)	
Nominal voltage max.	240	V AC/DC
Degree of protection according to IEC 60529 (inserted)	IP 65	
Connection	Pillar terminals and tab terminals	

SS4		
Parameter	Value	Unit
Housing material	Brass matt chromium plated	
Number of pins	4 (3 + PE)	
Cable diameter	6 - 8	mm
Nominal voltage max.	250	V AC/DC
Degree of protection according to IEC 60529 (inserted)	IP 67	
Connection	Soldered connections	

SR6		
Parameter	Value	Unit
Housing material	Plastic	
Number of pins	7 (6 + PE)	
Cable diameter	7 - 9	mm
Nominal voltage max.	250	V AC/DC
Degree of protection according to IEC 60529 (inserted)	IP 65	
Connection	Crimp contacts 0.5 to 1.5 mm ²	

SR11		
Parameter	Value	Unit
Housing material	Plastic	
Number of pins	12 (11 + PE)	
Cable diameter	8 - 10	mm
Nominal voltage max.	50	V AC/DC
Degree of protection according to IEC 60529 (inserted)	IP 65	
Connection	Crimp contacts 0.5 to 1.5 mm ²	

RC18		
Parameter	Value	Unit
Housing material	Metal	
Number of pins	19 (18 + PE)	
Cable diameter	10 - 14	mm
Nominal voltage max.	32	V AC/DC
Degree of protection according to IEC 60529 (inserted)	IP 65	
Connection	19 crimp contacts 0.75 to 1.0 mm ²	

RC18..C1825		
Parameter	Value	Unit
Housing material	Metal	
Number of pins	19 (18 + PE)	
Cable diameter	10 - 14	mm
Nominal voltage max.	32	V AC/DC
Degree of protection according to IEC 60529 (inserted)	IP 65	
Connection	16 crimp contacts 0.38 to 0.5 mm ² 3 crimp contacts 0.75 to 1.0 mm ²	

M12 with cable (SGLF, SWLF)		
Parameter	Value	Unit
Housing material	Metal / plastic	
Number of pins	5	
Nominal voltage max.	30	V AC/DC
Degree of protection according to IEC 60529 (inserted)	IP 68	
Connection	5 open cable ends	