

Accessories

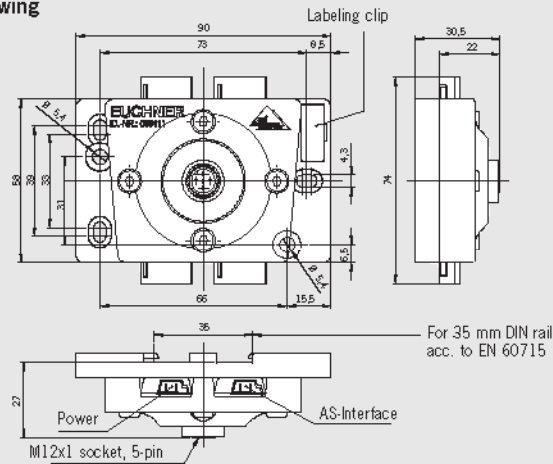
▶ Passive bus coupling module BCM-A-P1...



For connection of components with integrated AS-interface and M12 plug connector to the AS-interface ribbon cables. Both the bus and auxiliary power are converted from the ribbon cable to an M12 socket. The coupling module is suitable for safety components and for standard components. It is particularly suitable for EUCHNER safety switches with guard locking.

Passive bus coupling module BCM-A-P1...

Dimension drawing



Ordering table

Version	Connections	Order No./item
BCM-A-P1	AS ribbon cable, auxiliary power ribbon cable M12-socket	089 411 BCM-A-P1-SEM4-1
	Connection cable M12 with straight plug connectors, length 1 m PUR	089 420 Connection cable M12

Accessories for CES...AS1 evaluation units

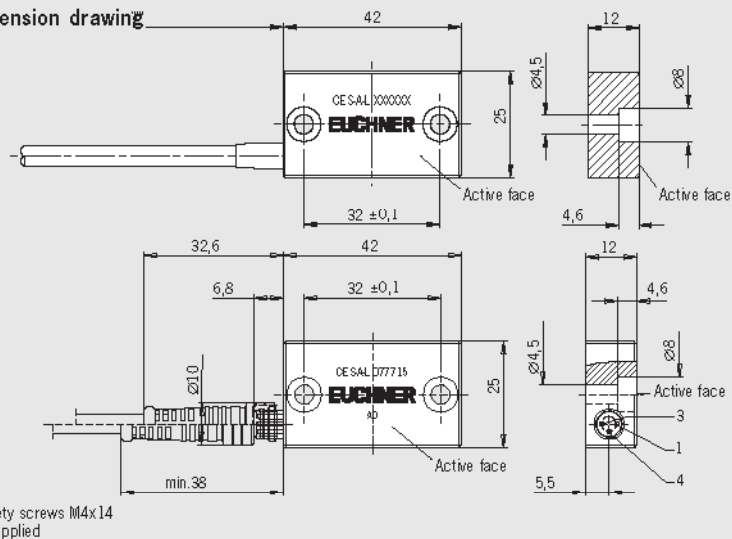
▶ Read head CES-A-LNA...



The read heads CES are suitable for connection directly to the evaluation units CES-A-F1B... or CES-A-V1B....

Read head CES-A-LNA...

Dimension drawing



Ordering table

Version	Connection	Length	Order No./item
Read head CES-A-LNA	Connection cable PVC	1 m	094 031 CES-A-LNA-01V-AS1
		2 m	094 032 CES-A-LNA-02V-AS1
	Plug connector M8	-	077 715 CES-A-LNA-SC

Accessories for CES...AS1 evaluation units

Connecting cables with M8 and M12 plug connectors are available for connection of the CES-LNA... read head and the CEM and CET read heads.

Ordering table

Version	Cable	Length	Order No./item
Cable for read heads CES, CEM, CET with M8 plug connector	PUR	2 m	095 005 LIYC11Y2X0.25X2000M12M-M8F
		5 m	095 357 LIYC11Y2X0.25X5000M12M-M8F
		10 m	099 167 LIYC11Y2X0.25X10000M12M-M8F
		30 m	099 168 LIYC11Y2X0.25X30000M12M-M8F
Cable for controlling CEM or CET guard locking	PUR	2 m	100 817 C-M08F04-04X025PV02.0-M12M05
		5 m	100 818 C-M08F04-04X025PV05.0-M12M05

Accessories and software for monitors SFM, SMO, GMO and GMOx

The software is required for programming the EUCHNER safety monitors. All safety monitors can be programmed with the same software. A Windows ®-equipped PC is required. All Safety at Work manuals in various languages are included on the CD.

A cable set SFM or the cable SMO-GMO is required to connect the PC. The cable set SFM includes a transfer cable for direct read-out from monitor to monitor.

Additional memory cards can be ordered for the monitors SMO and the gateway monitors GMO.

Plug-in connections with screw terminals and cage pull spring are available.

Ordering table

Version	Suitability	Order No./item
AsiMon Configuration software	Foll all AS interfaces Safety at Work safety monitors	088 053 AsiMon SW
Cable set SFM	For all monitors SFM...	087 299 Cable set SFM
Connection set Cage-pull clamps SMO, GMO and GMOx	For monitors SMO and Gateway monitors GMO	100 256 ZMO-ZB-KK8-M
Cable SMO and GMO	For monitors SMO and Gateway monitors GMO	100 437 ZMO-ZB-PGK
1 memory card	For monitors SMO and Gateway monitors GMO	100 875 ZMO-ZB-M1
10 memory cards	For monitors SMO and Gateway monitors GMO	100 438 ZMO-ZB-M10
1 memory card	For monitors SMOx and Gateway monitors GMOx	103 580 ZMO-ZB-MB1

Bus coupling module BCM



BCM-A-P1-SEM4-1

Parameter	Value	Unit
Housing material	Reinforced thermoplastic	
Degree of protection according to IEC 529 (mating connector inserted)	IP 67 on single insertion of the cable	
Ambient temperature	-20...+ 70	°C
Installation position	Any	
Weight	approx. 60	g
Voltage max.	36	V DC
Current max.	4	A
AS-Interface to power insulation voltage	200	V
Installation	Screw mounting (2 x M6)	
Connection		
AS-Interface and auxiliary power	Ribbon cable AS-i	
Line 1	AS-Interface bus ribbon cable (AS-Interface +, AS-Interface -)	
Line 2	Power ribbon cable (+24 V, 0 V)	
safety switch	M12 socket	
Degree of protection according to IEC 529 (mating connector inserted)	IP 67 on single insertion of the cable	