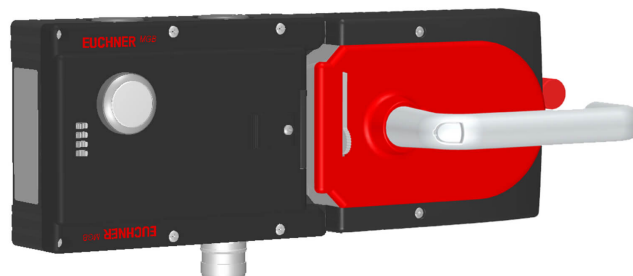


MGB-L1HE-ARA-R-121035 (ORDER NO. 121035)

Locking set MGB-L1HE-ARA..., (guard locking by spring force) with 1 push button, RC18

- ▶ Guard locking with guard lock monitoring
- ▶ Can be connected in series with other AR devices (e.g. CES-AR and CET-AR)
- ▶ 1 pushbuttons (illuminated)
- ▶ With lens set, 6 pcs.
- ▶ With plug connector RC18
- ▶ With escape release
- ▶ Unicode



Description

Guard locking type

MGB-L1... The locking arm is held in the locked position by spring force and is unlocked by solenoid force (closed-circuit current principle, mechanically locked).

Door stop

A mechanical door stop is permanently integrated into the evaluation module of the MGB. A marking on the stop makes adjustment easier.

LED indicator

The LED indicator indicates all important system and status information.

Monitoring outputs

OT Bolt tongue inserted into the evaluation module

OL Guard locking solenoid in locked position

OI Diagnostics; there is a fault

Pushbutton

S1 1 NO contact, illuminated

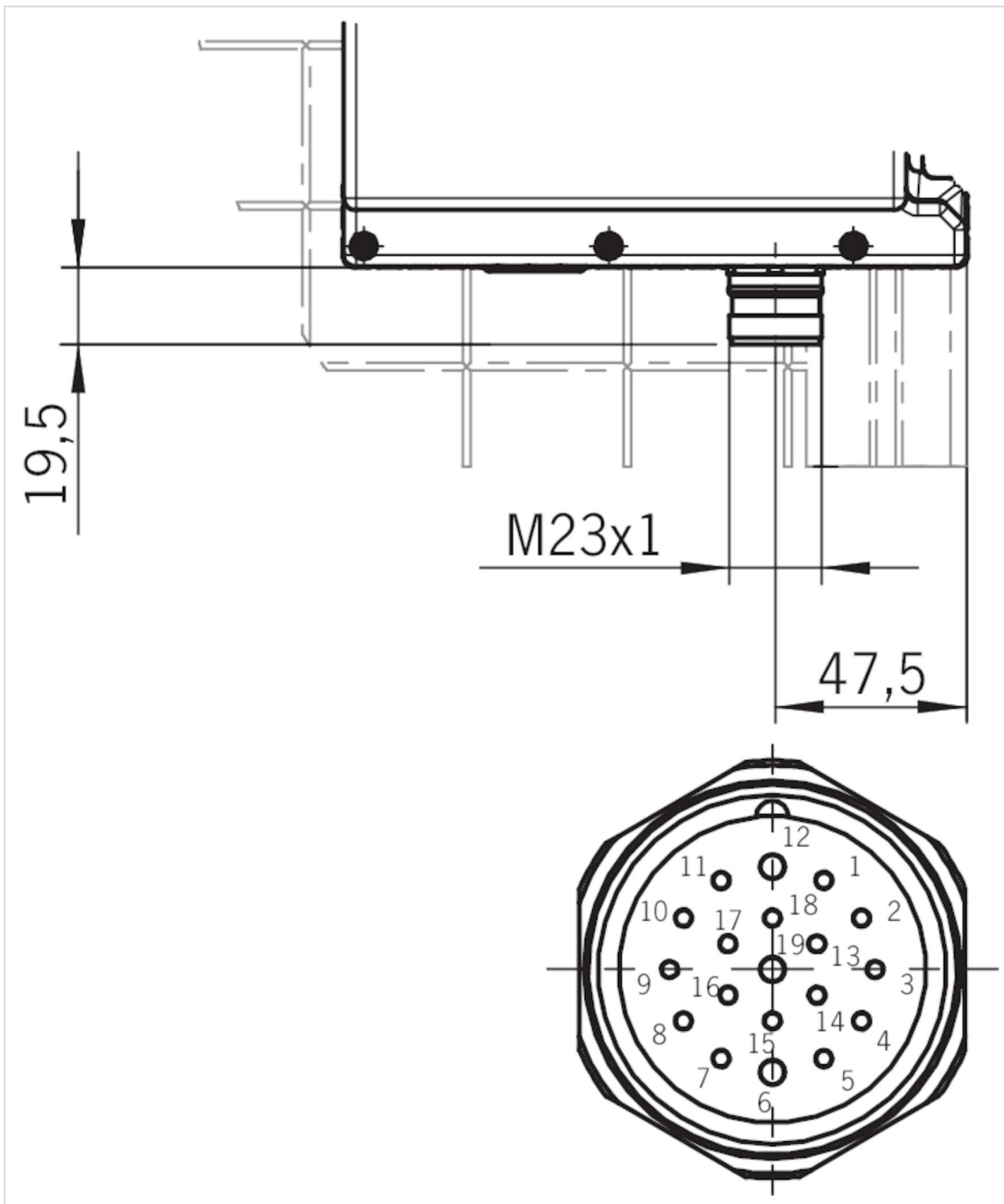
Lens set

The color of the pushbutton can be selected using the lens set included (5 colors). Item no.: 120344 (see Accessories)

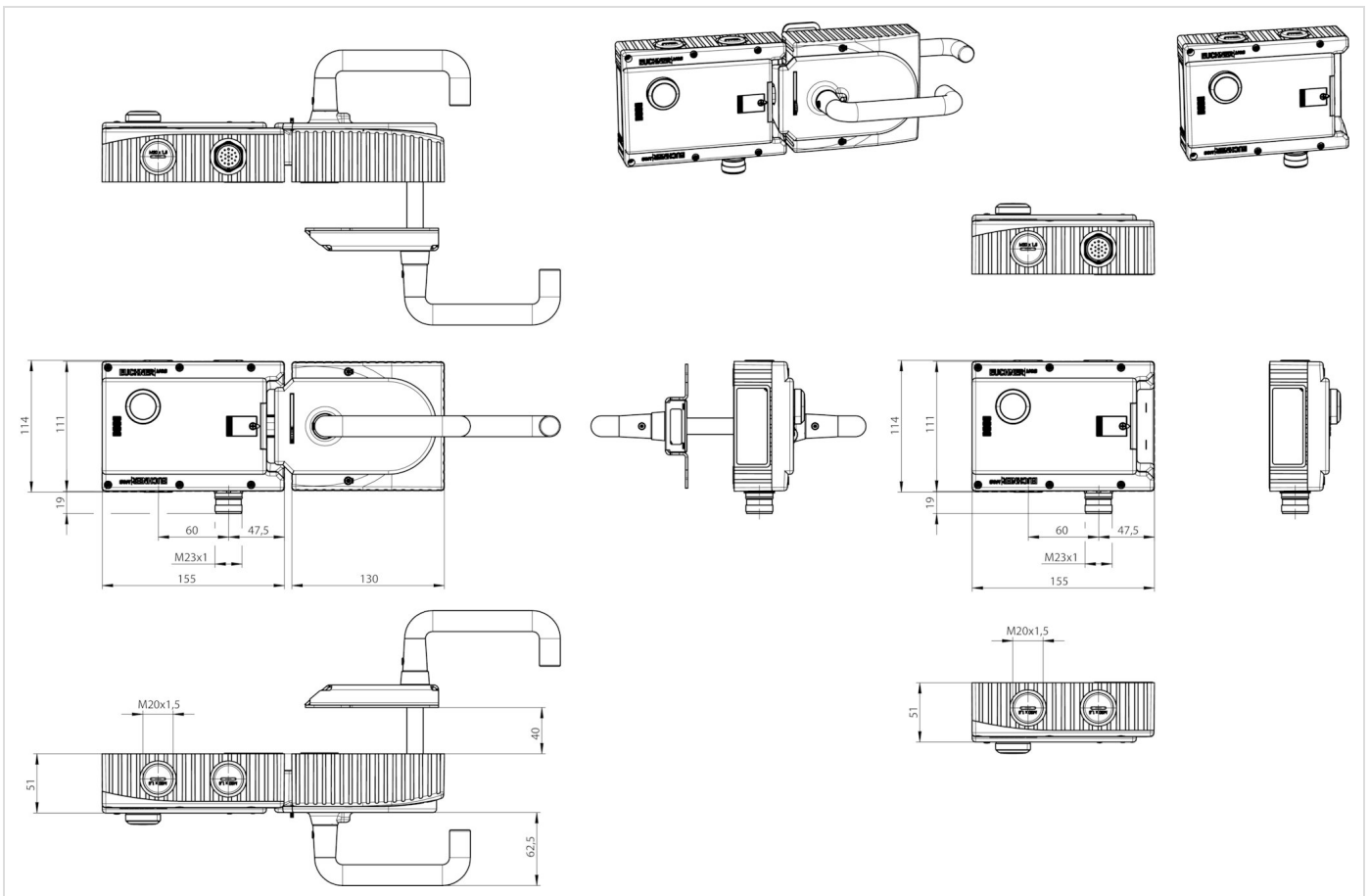
Escape release

The escape release enables people accidentally shut in to open the guard locked door from the danger zone.

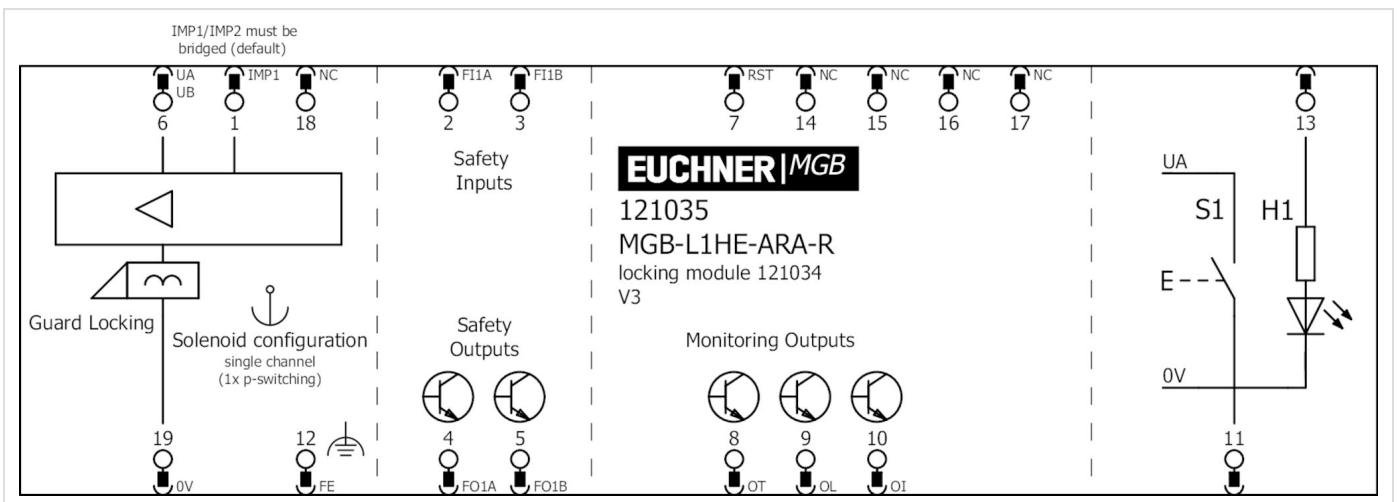
Dimension drawing



Dimension drawing



Plug connector RC18



Technical data

Locking module MGB-L1-ARA-AK1A1-S1-R-121034 (Order no. 121034)



Mechanical values and environment

Housing material	Housing	Reinforced plastic; die-cast zinc nickel-plated, stainless steel
Weight	Net	0,75 kg
Ambient temperature	At $U_B = 24V$ DC	-20 ... 55 °C
Degree of protection		IP65
Mechanical life		1 x 10 ⁶
	In case of use as door stop, and 1 Joule impact energy	0,1 x 10 ⁶
Installation orientation		Door hinge DIN right
Switching frequency		0,25 Hz
Connection		Plug connector RC18 (X6)
Guard locking principle		Closed-circuit current principle
Locking force F_{Zh}		2000 N

Electrical connection ratings

Utilization category acc. to EN 60947-5-2

	DC-13	24V 200mA (Caution: outputs must be protected with a free-wheeling diode in case of inductive loads.)
Rated insulation voltage U_i		30 V
Rated impulse withstand voltage U_{imp}		1,5 kV
Degree of contamination (external, according to EN 60947-1)		3
Safety class		III
Discrepancy time	Between FO1A and FO1B	max.10 ms
Risk time according to EN 60947-5-3		max.350 ms
Transponder coding		Unicode

Controls and indicators

Switching voltage		U_A V
Switching current		1 ... 10 mA
Breaking capacity		max.0,25 W
Power supply LED		24 V DC

Solenoid control input IMP1, IMP2, IMM

Test pulses		max.5 ms
Test-pulse interval		min.100 ms

Power supply U_B

Operating voltage DC	U_B	24 V DC -15% ... 10% (Reverse polarity protected, regulated, residual ripple <5%, PELV))
----------------------	-------	---

Current consumption	I_{UB}	max.80 mA (no load on outputs))
---------------------	----------	------------------------------------

Power supply U_A

Operating voltage DC	U_A	24 V DC -15% ... 10%
----------------------	-------	----------------------

((Reverse polarity protected, regulated, residual ripple <5%, PELV))

Current consumption	
	I_{UA} max.375 mA (With energized guard locking solenoid and unloaded outputs OD, OT, OL, OI, +20 °C, 24V))
	Safety outputs FO1A, FO1B
Test pulses	max.1 ms
Test-pulse interval	min.100 ms
Type of output	Semiconductor outputs, p-switching, short circuit-proof
Output voltage	
	U_{FO1A} / U_{FO1B} HIGH UB-2V ... UB V DC (Value at a switching current of 50mA without taking into account the cable lengths)
	U_{FO1A} / U_{FO1B} LOW 0 ... 1 V DC
Output current	
	Per safety output FO1A / FO1B 1 ... 200 mA
	Monitoring outputs OD, OT, OL, OI
Type of output	Semiconductor outputs, p-switching, short circuit-proof
Output voltage	UA-2V ... UA V DC (Value at a switching current of 50mA without taking into account the cable lengths)
Output current	max.50 mA
Other	
Additional feature	Incl. cover set ID. No. 120344
Product version number	V4.0.0

Reliability values according to EN ISO 13849-1

	Monitoring of guard locking and the safety guard position
Category	4
Performance Level	PL e
PFH _D	3.7×10^{-9}
	Control of the guard locking
Category	4
Performance Level	PL e
PFH _D	2.8×10^{-9}
Mission time	20 y

Handle module MGB-H-AA1A1-R-100464 (Order no. 100464)



Mechanical values and environment

Housing material

Housing Reinforced plastic, die-cast zinc nickel-plated, stainless steel

Weight

Net 1,00 kg

Ambient temperature

-20 ... 55 °C

Degree of protection

IP65

Installation orientation

Door hinge DIN right

Other

Product version number

V3.0.0

Escape release MGB-E-A-100465 (Order no. 100465)



Mechanical values and environment

Housing material

Housing Die-cast zinc/stainless steel powder-coated

Weight

Net 0,75 kg

Ambient temperature

-20 ... 55 °C

Mechanical life

1 x 10⁶

Installation orientation

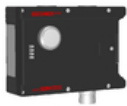
Any

Other

Product version number

V2.0.0

Components



121034

Locking module MGB-L1-ARA-AK1A1-S1-R-121034

- ▶ Guard locking with guard lock monitoring
- ▶ Can be connected in series with other AR devices (e.g. CES-AR and CET-AR)
- ▶ 1 pushbuttons (illuminated)
- ▶ With lens set, 6 pcs.
- ▶ With plug connector RC18
- ▶ Unicode



100464

Handle module MGB-H-AA1A1-R-100464

- ▶ Intelligent bolt tongue
- ▶ Lockout mechanism
- ▶ Door handle



100465

Escape release MGB-E-A-100465

- ▶ Escape release from the danger zone
- ▶ Door handle signal red
- ▶ Extended actuation axis for thicker doors (available optionally)

Accessories

Connection material

Connection cable with plug connector M23 with option C1825, 1.5m, straight



092761

- ▶ M23 plug connector, 18-pin + PE



C-M23F19-19XDIFPU01,5-MA-092761

- ▶ Straight plug connector
- ▶ PUR cable
- ▶ Cable length 1.5 m
- ▶ With flying lead
- ▶ Cores color-coded

Connection cable with plug connector M23 with option C1825, 3m, straight



092816
C-M23F19-19XDIFPU03,0-MA-092816

- ▶ M23 plug connector, 18-pin + PE
- ▶ Straight plug connector
- ▶ PUR cable
- ▶ Cable length 3 m
- ▶ With flying lead
- ▶ Cores color-coded

Connection cable with plug connector M23 with option C1825, 6m, straight



077014
C-M23F19-19XDIFPU06,0-MA-077014

- ▶ M23 plug connector, 18-pin + PE
- ▶ Straight plug connector
- ▶ PUR cable
- ▶ Cable length 6 m
- ▶ With flying lead
- ▶ Cores color-coded

Connection cable with plug connector M23 with option C1825, 8m, straight



077015
C-M23F19-19XDIFPU08,0-MA-077015

- ▶ M23 plug connector, 18-pin + PE
- ▶ Straight plug connector
- ▶ PUR cable
- ▶ Cable length 8 m
- ▶ With flying lead
- ▶ Cores color-coded

Connection cable with plug connector M23 with option C1825, 10m, straight



092898
C-M23F19-19XDIFPU10,0-MA-092898

- ▶ M23 plug connector, 18-pin + PE
- ▶ Straight plug connector
- ▶ PUR cable
- ▶ Cable length 10 m
- ▶ With flying lead
- ▶ Cores color-coded

Connection cable with plug connector M23 with option C1825, 15m, straight



077016
C-M23F19-19XDIFPU15,0-MA-077016

- ▶ M23 plug connector, 18-pin + PE
- ▶ Straight plug connector
- ▶ PUR cable
- ▶ Cable length 15 m
- ▶ With flying lead
- ▶ Cores color-coded

Connection cable with plug connector M23 with option C1825, 20m, straight



092726
C-M23F19-19XDIFPU20,0-MA-092726

- ▶ M23 plug connector, 18-pin + PE
- ▶ Straight plug connector
- ▶ PUR cable
- ▶ Cable length 20 m
- ▶ With flying lead
- ▶ Cores color-coded

Connection cable with plug connector M23 with option C1825, 25m, straight



092727
C-M23F19-19XDIFPU25,0-MA-092727

- ▶ M23 plug connector, 18-pin + PE
- ▶ Straight plug connector
- ▶ PUR cable
- ▶ Cable length 25 m
- ▶ With flying lead

- ▶ With flying lead
- ▶ Cores color-coded

Connection cable with plug connector M23 with option C1825, 30m, straight



095993
C-M23F19-19XDIFPU30,0-MA-095993

- ▶ M23 plug connector, 18-pin + PE
- ▶ Straight plug connector
- ▶ PUR cable
- ▶ Cable length 30 m
- ▶ With flying lead
- ▶ Cores color-coded

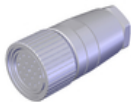
Connection cable with plug connector M23 with option C1825, 40m, straight



102490
C-M23F19-19XDIFPU40,0-MA-102490

- ▶ M23 plug connector, 18-pin + PE
- ▶ Straight plug connector
- ▶ PUR cable
- ▶ Cable length 40 m
- ▶ With flying lead
- ▶ Cores color-coded

Female plug RC18 straight with option C1825



077025
RC18EF-C1825

- ▶ Plug connector M23, straight
- ▶ Number of pins: 19-pin with shield spring

Replacement crimp contacts for female connector RC18 with option C1825

094310
CRIMPKONTAKT BUCHSE RCF-C1825

- ▶ 19 crimp sockets
- ▶ Conductor cross-section 16 x 0.25 - 0.5 mm² and 3 x 0.75 - 1 mm²
- ▶ For plug connector RC18..C1825

Function expansion

Door handle for MGB-E...



110276
MGB-A-DOORHANDLE-R1-110276

- ▶ Aluminum, red painted
- ▶ For mounting on all MGB escape release modules MGB-E up to version 1.0

Door handle for MGB-H...



110277
MGB-A-DOORHANDLE-S1-110277

- ▶ Aluminum, silver anodized
- ▶ For mounting on all MGB handle modules MGB-H up to V2.0.0



123926
MGB-A-DOORHANDLE-S2-123926

- ▶ Aluminum, silver anodized
- ▶ For mounting on all MGB handle modules MGB-H from V3.0.0

Door knob for MGB-F...

Door knob for MGB-E...



114904
MGB-A-DOORKNOB-R1-114904

- ▶ Aluminum, red painted
- ▶ For mounting on all MGB escape release modules MGB-E up to version 1.0
- ▶ e.g. on sliding doors

Door knob for MGB-H...



111460
MGB-A-DOORKNOB-S1-111460

- ▶ Aluminum, silver anodized
- ▶ For mounting on all MGB handle modules MGB-H... up to V2.0.0
- ▶ e.g. on sliding doors



124030
MGB-A-DOORKNOB-S2-124030

- ▶ Aluminum, silver anodized
- ▶ For mounting on all MGB handle modules MGB-H... from V3.0.0
- ▶ e.g. on sliding doors

Emergency unlocking for safety system MGB



112989
MGB-A-EMERGENCYRELEASE-112989

- ▶ Quick emergency release
- ▶ sealable

Escape release MGB-E-A...



100465
MGB-E-A-100465

- ▶ Escape release from the danger zone
- ▶ Door handle signal red
- ▶ Extended actuation axis for thicker doors (available optionally)

Extended actuation axis for MGB-E...



106761
AY-ERS-250-106761

Miscellaneous accessories

Lens set 5 colors



120344
AY-SET-LNS-0001-120344



163284
AY-SET-LNS-0003-163284

Lens set 6 colors



120378
AY-SET-LNS-0002-120378

Lens set labeled



120377
AY-SET-LNS-SY01-120377



125359
AY-SET-LNS-SY02-125359



126158
AY-SET-LNS-SY03-126158



158307
AY-SET-LNS-SY04-158307



160049
AY-SET-LNS-SY05-160049

Mounting accessories

Mounting plate for all MGB handle modules



109491
MGB-A-MOUNTINGPLATE-H-109491

- ▶ Easy and quick mounting (only two screws required)
- ▶ Quick module replacement
- ▶ Steel, powder coated
- ▶ Suitable for doors hinged on the right or left

Mounting plate for escape release



109492
MGB-A-MOUNTINGPLATE-E-109492

- ▶ Easy and quick mounting (only two screws required)
- ▶ Quick module replacement
- ▶ Steel, powder coated
- ▶ Suitable for doors hinged on the right or left

Mounting plate for evaluation modules MGB-L.-AR.-... and MGB-L.-AP.-...



109490
MGB-A-MOUNTINGPLATE-L-109490

- ▶ Easy and quick mounting (only two screws required)
- ▶ Quick module replacement
- ▶ Steel, powder coated
- ▶ Suitable for doors hinged on the right or left

Spare parts

Handle module MGB-H-...



100464
MGB-H-AA1A1-R-100464

- ▶ Intelligent bolt tongue
- ▶ Lockout mechanism
- ▶ Door handle

Locking module MGB-L1-ARA..., (guard locking by spring force) with 1 push button, RC18



121034
MGB-L1-ARA-AK1A1-S1-R-121034

- ▶ Guard locking with guard lock monitoring
- ▶ Can be connected in series with other AR devices (e.g. CES-AR and CET-AR)
- ▶ 1 pushbuttons (illuminated)
- ▶ With lens set, 6 pcs.
- ▶ With plug connector RC18
- ▶ Unicode

Contacts

🏠 EUCHNER GmbH + Co. KG
Kohlhammerstraße 16
70771 Leinfelden-Echterdingen

☎ +49 711 7597-0

📠 +49 711 753316

✉ info(at)euchner.de