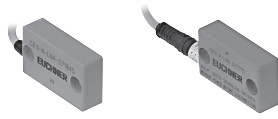


## Accessories for CES...AS1 evaluation units

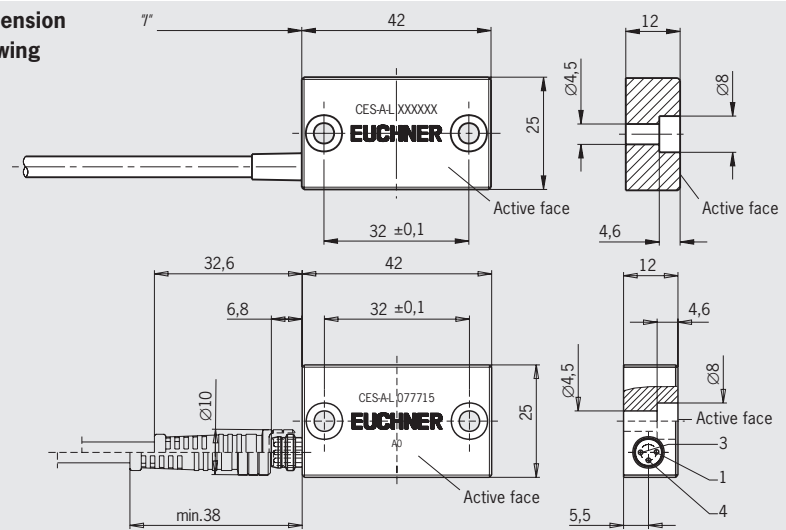
### ► Read head CES-A-LNA...



The read heads CES are suitable for connection directly to the evaluation units CES-AF1B... or CES-AV1B....

### Read head CES-A-LNA...

#### Dimension drawing



2 safety screws M4x14 are supplied

The dimensions of the actuators are the same as those of the read heads, although the former have no connection cable.

## Ordering table

Series	Connection	Length	Order no. / item	
			Read head	Related actuator
CES-A-LNA	Connection cable PVC	1 m	<b>094031</b> CES-A-LNA-01V-AS1	<b>071840</b> CES-A-BBA
		2 m	<b>094032</b> CES-A-LNA-02V-AS1	<b>071840</b> CES-A-BBA
	Plug connector M8	-	<b>077715</b> CES-A-LNA-SC	<b>071840</b> CES-A-BBA

## Accessories for CES...AS1 evaluation units

For the connection of the CES-LNA... read head and the CEM and CET read heads with integrated M8 plug connector, connecting cables with M8 and M12 plug connectors are available.

## Ordering table

Version	Cable	Length	Order no. / item
Cable for read heads CES, CEM, CET with M8 plug connector	PUR	2 m	<b>095005</b> C-M08F03-02X025PU02.0-M12M04-095005
		5 m	<b>095357</b> C-M08F03-02X025PU05.0-M12M04-095357
		10 m	<b>099167</b> C-M08F03-02X025PU10.0-M12M04-099167
		30 m	<b>099168</b> C-M08F03-02X025PU30.0-M12M04-099168
Cable for controlling CEM or CET guard locking	PUR	2 m	<b>100818</b> C-M08F04-04X025PV02.0-M12M05
		5 m	<b>100817</b> C-M08F04-04X025PV05.0-M12M05