

Electraray® Hazardous Location Strobe Warning Light



Model 225XST and 225XST-I

DESIGNED FOR USE IN HAZARDOUS LOCATIONS

- 12-24VDC, 24VDC, 120VAC and 240VAC
- Six lens colors
- 5,000 hour, high-intensity strobe tube
- 1/2 - inch pipe mount
- Indoor/outdoor use
- Type 4X, IP66 enclosure (Dome up orientation)
- UL and cUL Listed and CSA Certified

Federal Signal's Electraray® Model 225XST hazardous location strobe light provides 80 high intensity flashes per minute. This warning light is available in 12-24VDC, 24VDC, 120VAC and 240VAC.

The Model 225XST has been certified by UL as meeting Type 4X water tight and corrosion resistant requirements; constructed to IP66 (in dome up orientation). This hazardous location warning light has a black polyurethane coated base and the inner fresnel lens is available in six colors (including magenta). The clear polycarbonate outer dome can be quickly removed for easy access to inspect the unit or change the lamp. The 225XST has an effective candela of 240 and a 580,000 peak candela.

The 24VDC 225XST-I features a voltage in-rush limiting PCB design that provides greater compatibility with factory automation control systems and less electrical interference with in-rush sensitive devices.

The 225XST is UL Listed and CSA Certified for Class I, Division 2, Groups A, B, C and D; Class II, Division 2, Groups F and G; and Class III.

Model 225XST is ideal for wet, corrosive atmospheres like those found in food processing industries, or anywhere a visual signal is needed.

Federal Signal's affordable Electraray Strobe Warning Light is specifically designed for use in hazardous locations or where corrosive materials are present.

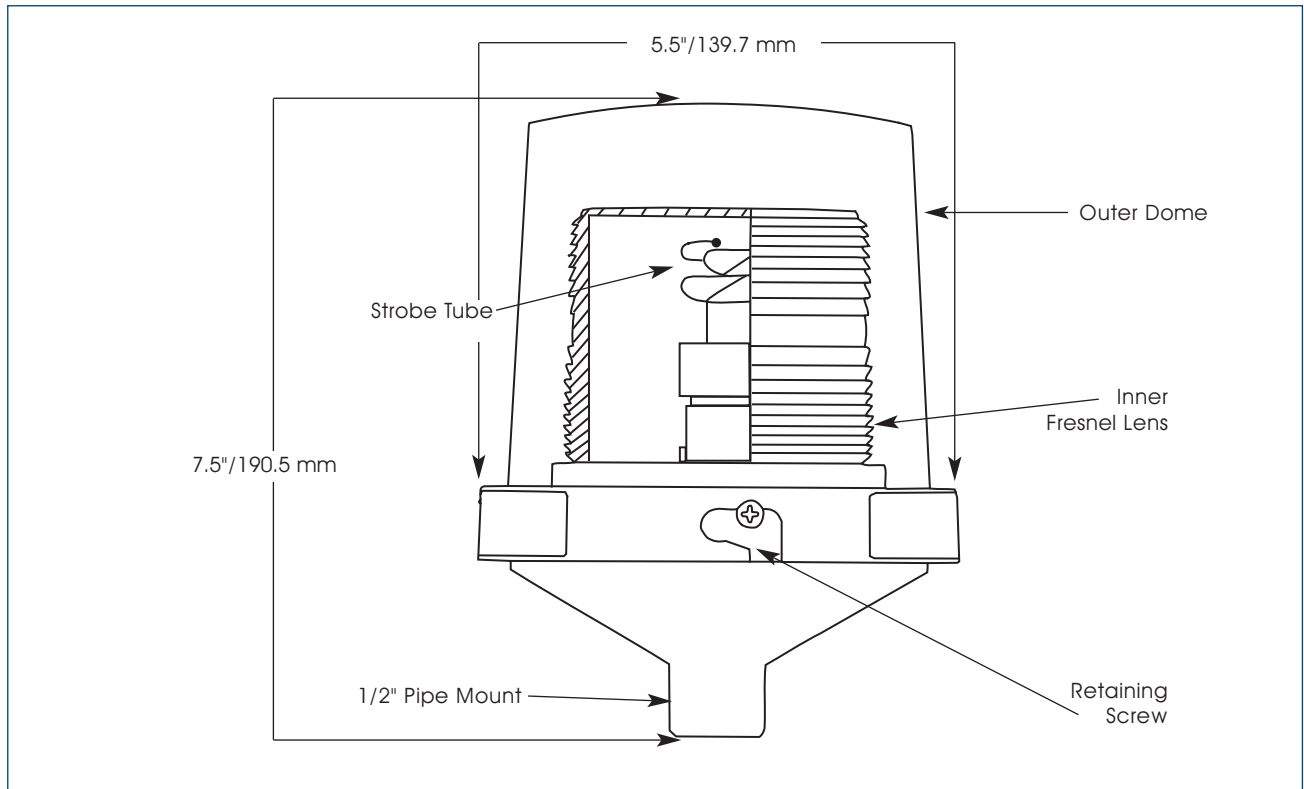
| Model | Voltage | Operating Current | Flash Rate/ Minute | Candela Peak ¹ | ECP ² | Mount |
|----------|----------|--------------------------------|--------------------|---------------------------|------------------|-----------|
| 225XST | 12-24VDC | 1.70-0.70 amps | 80 | 580,000 | 240 | 1/2" Pipe |
| 225XST-I | 24VDC | 0.70 amps (2.0 amp In-rush) | 80 | 580,000 | 240 | 1/2" Pipe |
| 225XST | 120VAC | 0.25 amps | 80 | 580,000 | 240 | 1/2" Pipe |
| 225XST | 240VAC | 0.20 amps | 80 | 580,000 | 240 | 1/2" Pipe |



¹ Peak candela is the maximum light intensity generated by a flashing light during its light pulse

² ECP (Effective Candela) is the intensity that would appear to an observer if the light were burning steadily

ELECTRARAY® HAZARDOUS LOCATION WARNING LIGHT (225XST/225XST-I)



SPECIFICATIONS

| | | |
|------------------------|----------------|---------------|
| Lamp Life*: | 10,000 Hours | 10,000 Hours |
| Lamp Style: | Strobe | Strobe |
| Operating Temperature: | -40°F to 149°F | -40°C to 65°C |
| Net Weight: | 1.5 lbs. | 0.68 kg |
| Shipping Weight: | 2.0 lbs. | 0.9 kg |
| Height: | 7.5" | 190.5 mm |
| Diameter: | 5.5" | 139.7 mm |

* Optimal hours under ideal conditions.

HOW TO ORDER

- Specify model, voltage and color
- Please refer to Model Number Index 225XST/225XST-I beginning on page 376

REPLACEMENT PARTS

| <u>Description</u> | <u>Part Number</u> | <u>Description</u> | <u>Part Number</u> |
|----------------------|--------------------|----------------------|--------------------|
| Interior Lens | | Exterior Dome, Clear | K8444D219C-04 |
| Amber | K8550C095A-02 | PC Assembly, 024VDC | K2001202C-01 |
| Blue | K8550C095A-01 | PC Assembly, 120VAC | K2001905A |
| Clear | K8550C095A | PC Assembly, 240VAC | K2001905A-01 |
| Green | K8550C095A-04 | Strobe Tube | K8107177A |
| Magenta | K8550C095A-07 | | |
| Red | K8550C095A-03 | | |