



► Model 225X

Electraray® Hazardous Location Rotating Light

A B C G R

Federal Signal's Electraray® Model 225X is a compact, rotating warning light designed for a variety of industrial applications. This product's lens design allows quick and easy access for inspection and relamping.

Model 225X features a silicone rubber gasket that provides a water-resistant seal between the lens and the black poly-coated base. The injection molded reflector rotates around a 25 watt lamp producing 90 flashes per minute.

Federal Signal's Electraray rotating warning light is specifically designed for use where corrosive materials are present.

FEATURES

- Available in 120VAC
- 25 watt incandescent lamp
- 1/2-inch NPT pipe mount
- Indoor/outdoor use
- Type 4X, IP66 enclosure
- IP69K compliant
- UL and cUL Listed for Class I, Division 2, Group A, B, C and D; Class II, Division 2, Groups F and G; Class III

MODEL	VOLTAGE	OPERATING CURRENT	FLASH RATE/ MINUTE	LIGHT OUTPUT	MOUNT
225X-120 *	120VAC 50/60Hz	0.220 amps	90	1,000 cd	1/2" NPT Pipe

* Indicates color: (A) Amber, (B) Blue, (C) Clear, (G) Green or (R) Red

HAZARDOUS LOCATION RATING: 225X

T-CODE AT MAXIMUM AMBIENT TEMPERATURE, °C

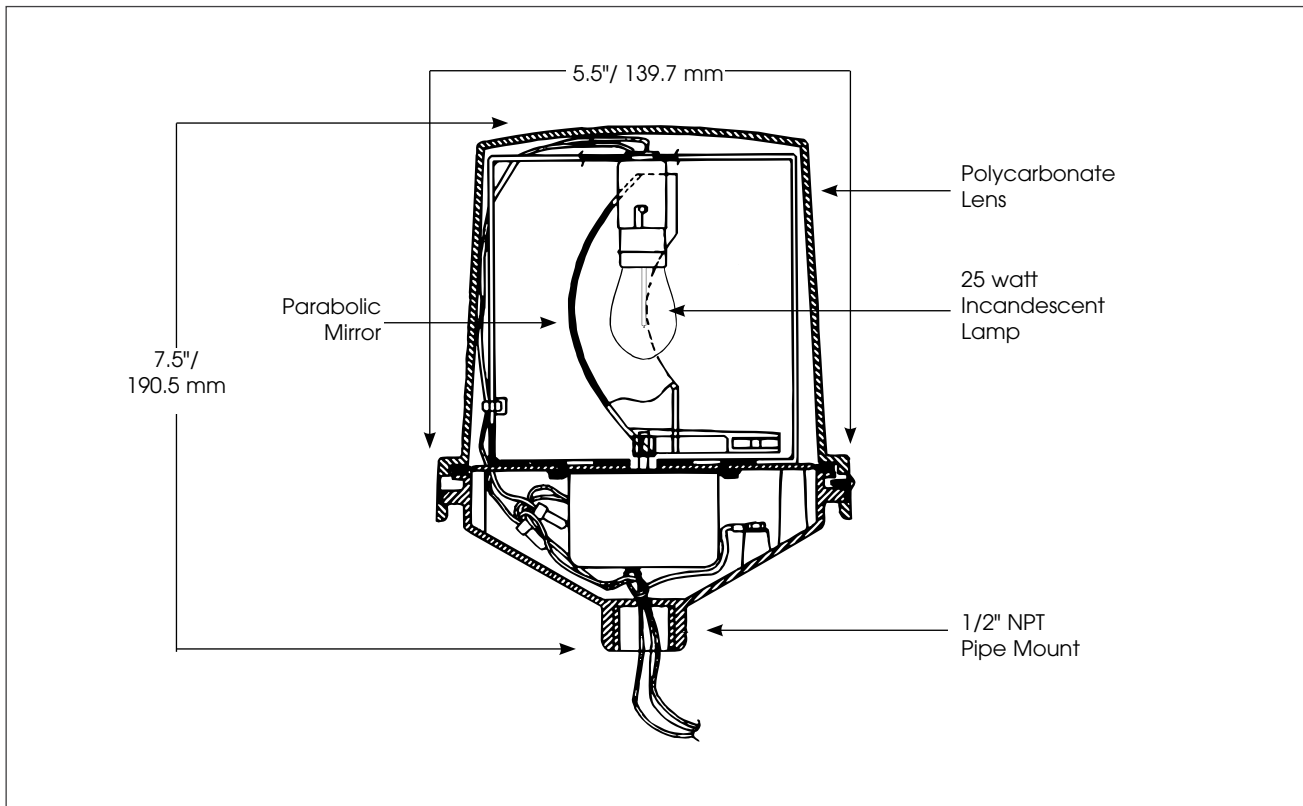
Hazardous Location **40°C**

Class I, Division 2, Groups A, B, C, D T2B

Class II, Division 2, Groups F, G T5

Class III T5

Electrarray® Hazardous Location Rotating Light (225X)



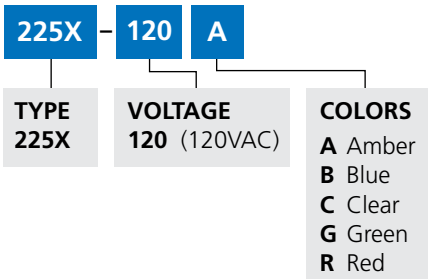
SPECIFICATIONS

Lamp Life:	1,000 Hours	
Light Source:	Incandescent	
Operating Temperature:	-40°F to 104°F	-40°C to 40°C
Net Weight:	2.0 lbs	0.9 kg
Shipping Weight:	2.7 lbs	1.2 kg
Height:	7.5 "	190.5 mm
Diameter:	5.5 "	139.7 mm

REPLACEMENT PARTS

Description	Part Number
Lens, Amber	K8444D219C-03
Lens, Blue	K8444D219C-01
Lens, Clear	K8444D219C-04
Lens, Green	K8444D219C-02
Lens, Red	K8444D219C
Lamp, 120VAC	K149123A

HOW TO ORDER



OPTIONAL ACCESSORIES

Description	Part Number
Hazardous Location Mounting Bracket	LHWB

Mounting Brackets shown on pages 136-139