



▶ Model 302GC

# SelecTone® 30W Amplified Speaker

Model 302GC SelecTone® Amplified Speaker is designed to produce crisp, clear tones, digital voice messages and live public address in harsh environments with high ambient noise levels.

The rugged speaker cone and projector are constructed of spun aluminum. The internal circuitry, tone module, and gain control are contained in a housing constructed of die-cast aluminum. All surfaces are sealed with powder-coat paint. Dust- and moisture-proof gaskets provide protection from the elements.

SelecTone Amplified Speakers are used individually or as part of a plant-wide emergency notification system. Model UTM Universal Tone Module with 32 tones, or model TM33-SD Custom Tone Module is plugged into a single SelecTone Amplified Speaker for stand-alone use or into a SelecTone Command Unit for plant-wide signaling.

For plant-wide signaling, a Connector Kit is installed into each SelecTone Amplified Speaker and wired to a central controller. SelecTone Command Units and CommCenter® Digital Message Centers broadcast tones, voice messages, melodies and live public address to an unlimited number of SelecTone Amplified Speakers.

Typical applications for SelecTone include emergency warning, plant evacuation, start and dismissal, public address, and process control signaling.

## FEATURES

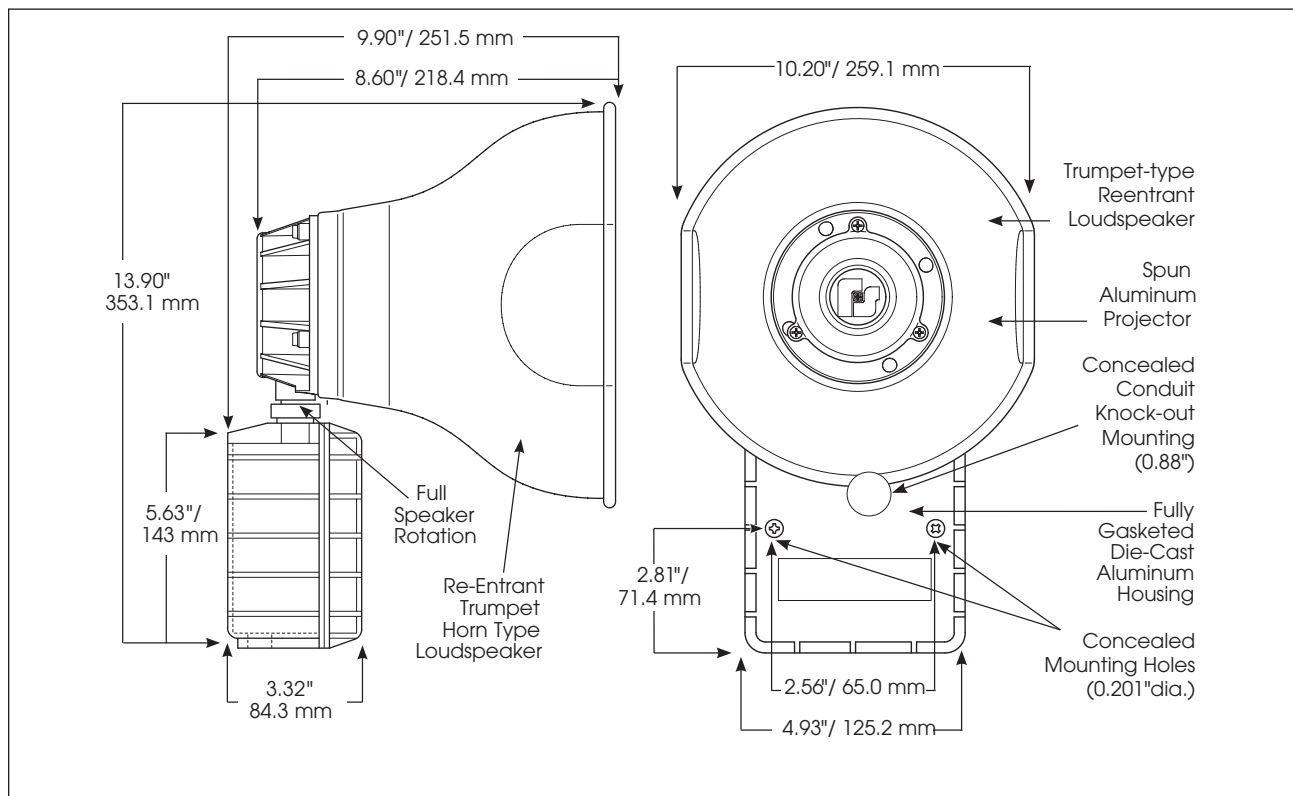
- Available in 24VAC/DC, 120VAC and 240VAC
- Built-in gain control, adjustable between 0 dBa to 114 dBa @ 10' (0 dBa to 124 dBa @ 1m)
- Digital signal amplification
- Fused input and output
- Indoor/outdoor use
- Type 3R, IP54 enclosure
- CSFM Approved
- UL and cUL Listed

MODEL	VOLTAGE	OPERATING CURRENT	STANDBY CURRENT**	DECIBELS	
				10'	1M
<b>302GC-024-*</b>	24VDC	1.00 amps	50 mA	114	124
	24VAC 50/60Hz	1.40 amps	100 mA	114	124
<b>302GC-120-*</b>	120VAC 50/60Hz	0.30 amps	50 mA	114	124
<b>302GC-240-*</b>	240VAC 50/60Hz	0.15 amps	35 mA	114	124

\* Indicates housing color: (-B) for Black housing, leave blank for Gray

\*\*When used as a powered loud speaker

## SelecTone® 30W Amplified Speaker (302GC)



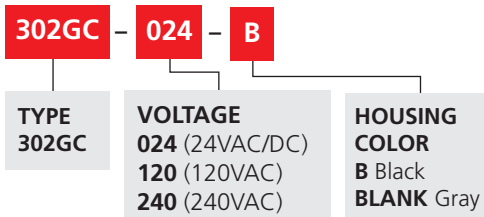
### SPECIFICATIONS

Operating Temperature:	-67°F to 150°F	-55°C to 66°C
Rated Power		30 watt
Net Weight:		
24VAC/DC	7.5 lbs	3.4 kg
120/240VAC	7.5 lbs	3.4 kg
Shipping Weight:		
24VAC/DC	8.9 lbs	4.0 kg
120/240VAC	8.9 lbs	4.0 kg
Height:	13.90"	353.1 mm
Width:	10.20"	259.1 mm
Depth:	9.90"	251.5 mm

### REPLACEMENT PARTS

Description	Part Number
PCBA, Amp Motherboard, 30W, 24VAC/DC	K2001961B-03
PCBA, Amp Motherboard, 30W, 120/240VAC	K2001961B-02
Amplifier PCBA, 30W	K2005502A-02
XFMR, 30W, 120VAC, 1.8 AMP	K120846A
XFMR, 30W, 240VAC, 1.8 AMP	K120856A
Gasket, Diaphragm, 30W	K8590243A
Gasket, Housing, 30W	K288A043
Housing, 30W, Gray	K8473021A
Speaker Assembly, 30W	K8593103A
Voice Coil, 30W	K8590246A
Cover, Gray	K8473022A

### HOW TO ORDER



1. Select Model
2. Select Required Accessory (sold separately)

A. For stand alone operation, select Tone Module:

**UTM** – Universal Tone Module  
(Reference page 215 for list of tones)

**TM33-SD** – Custom Tone Module  
(Reference page 217 for list of tones)

B. For use in systems\*, select Connector Kit. (Reference page 218 for Connector Kits)

- AM25CK** – 25 Vrms, 1 Vrms
- AM70CK** – 70 Vrms, 1 Vrms
- 300CK** – 10 Vrms, 1 Vrms
- T-300CK** – 2.7 Vrms, 1 Vrms
- E-300CK** – 1 Vrms, 1 Vrms

\*Call factory for design assistance