



► Models 31X and 41X

Explosion-Proof Vibrating Horns

Models 31X and 41X explosion-proof vibrating horns are constructed for safe use in hazardous environments. They are enclosed in heavy-duty copper-free cast aluminum housings tapped for 3/4-inch conduit.

Models 31X and 41X are corrosion resistant vibrating horns with stainless steel diaphragms. Model 41X is available in 24VDC. Model 31X is available in 120VAC and 240VAC and features an internal volume control. A five minute duty cycle applies to both models.

FEATURES

- 31X – 120VAC and 240VAC
- 41X – 24VDC
- Corrosion resistant cast aluminum housings
- Produces 100 dBa @ 10' (110 dBa @ 1m)
- 3/4" pipe or surface mount
- CSA Certified
- UL and cUL Listed for Class I, Division 1, Groups C and D; Class II, Division 1, Groups E, F, and G; Class III

MODEL	VOLTAGE	OPERATING CURRENT	DECIBELS	
			10'	1M
31X-120-3	120VAC 50/60Hz	0.20 amps	100	110
31X-240	240VAC 50/60Hz	0.10 amps	100	110
41X-024-1	24VDC	1.20 amps	100	110

HAZARDOUS LOCATION RATING: 31X and 41X

T-CODE AT MAXIMUM AMBIENT TEMPERATURE, °C

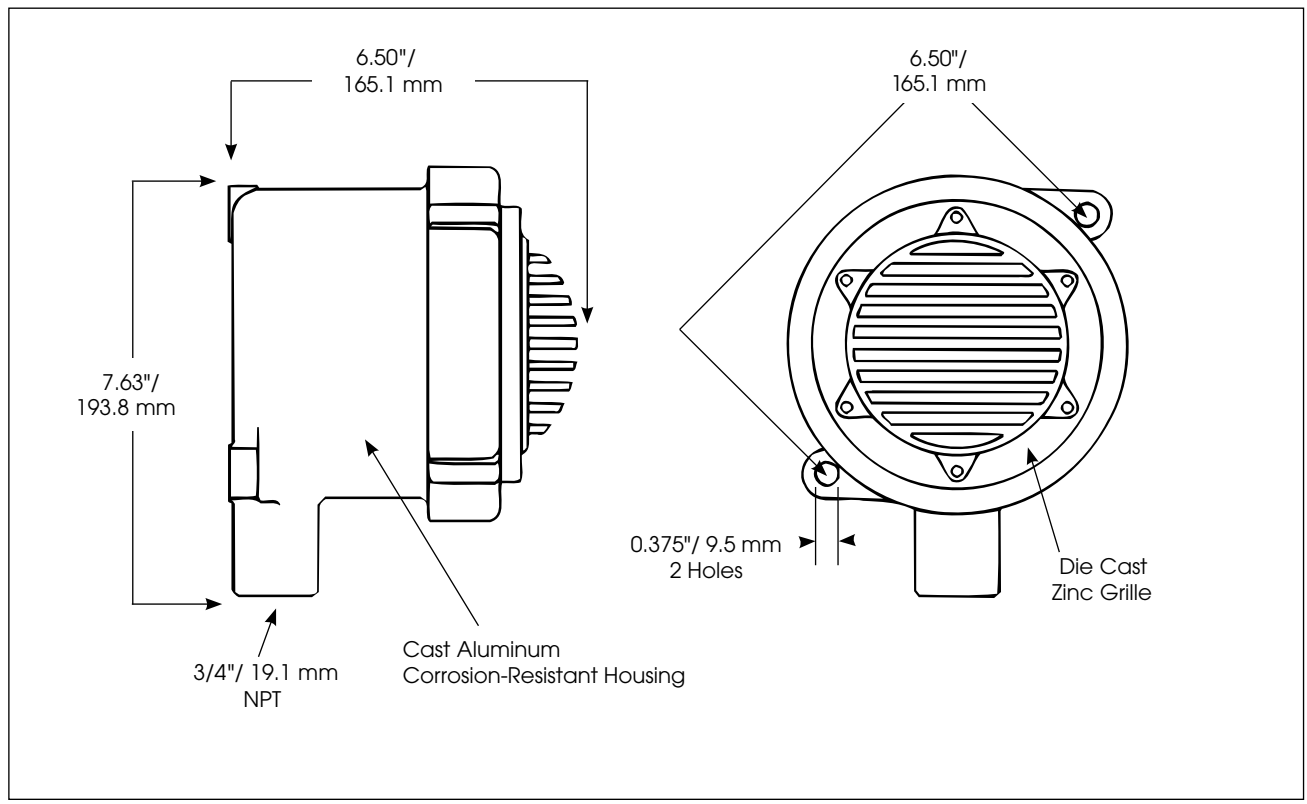
Hazardous Location **40°C**

Class I, Division 1, Groups C, D T6

Class II, Division 1, Groups E, F, G T6

Class III T6

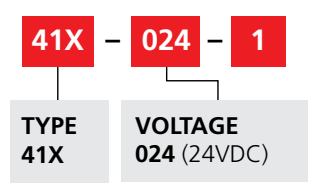
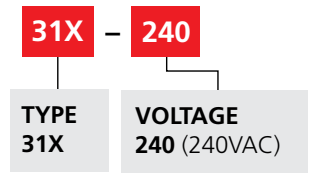
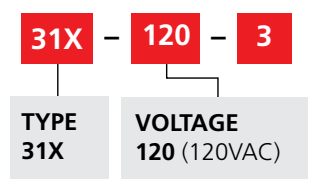
Explosion-Proof Vibrating Horns (31X and 41X)



SPECIFICATIONS

Operating Temperature:	-13°F to 104°F	-25°C to 40°C
Duty Cycle:	5 minutes ON/5 minutes OFF	
Net Weight:		
31X	7.5 lbs	3.4 kg
41X	9.0 lbs	4.1 kg
Shipping Weight:		
31X	8.1 lbs	3.7 kg
41X	10.3 lbs	4.7 kg
Height:	7.63"	193.7 mm
Depth:	6.5"	165.1 mm
Diameter:	6.5"	165.1 mm

HOW TO ORDER



REPLACEMENT PARTS

Description	Part Number
Cover Grille, Gray	KH6962J-01
Coil 31X, 120VAC	KFC1516C
Coil 31X, 240VAC	KFC1506C