



► Model LSLD

# Litestak® LED Status Indicator

Federal Signal’s Litestak® Model LSLD modular indicator light system allows the user to combine up to five interchangeable lamp units with a base power unit. Modules are sold separately for a truly customized indicator.

LED light output coordinates with the module’s impact-resistant polycarbonate lensing. LED lamps consume less power, operate at a lower temperature, and are remarkably resistant to vibration, which makes them perfect for use in heavy-duty, high vibration applications.

An optional Sound Module (Model LSH on page 46 and 47) can be added to the top of the Litestak column to create a dual purpose audible/visual status indicating signal. In applications where a single loud tone is all that is necessary, the LSH piezo-electric horn is a perfect audible addition.

Litestak is a versatile system that allows the user to select either steady burn or flash. A flasher is included on the 120VAC LSB unit only but can be purchased separately for 24VDC models. The Litestak base unit can be either surface mount or 3/4-inch NPT pipe mount. All Litestak models should be mounted base down.

## FEATURES

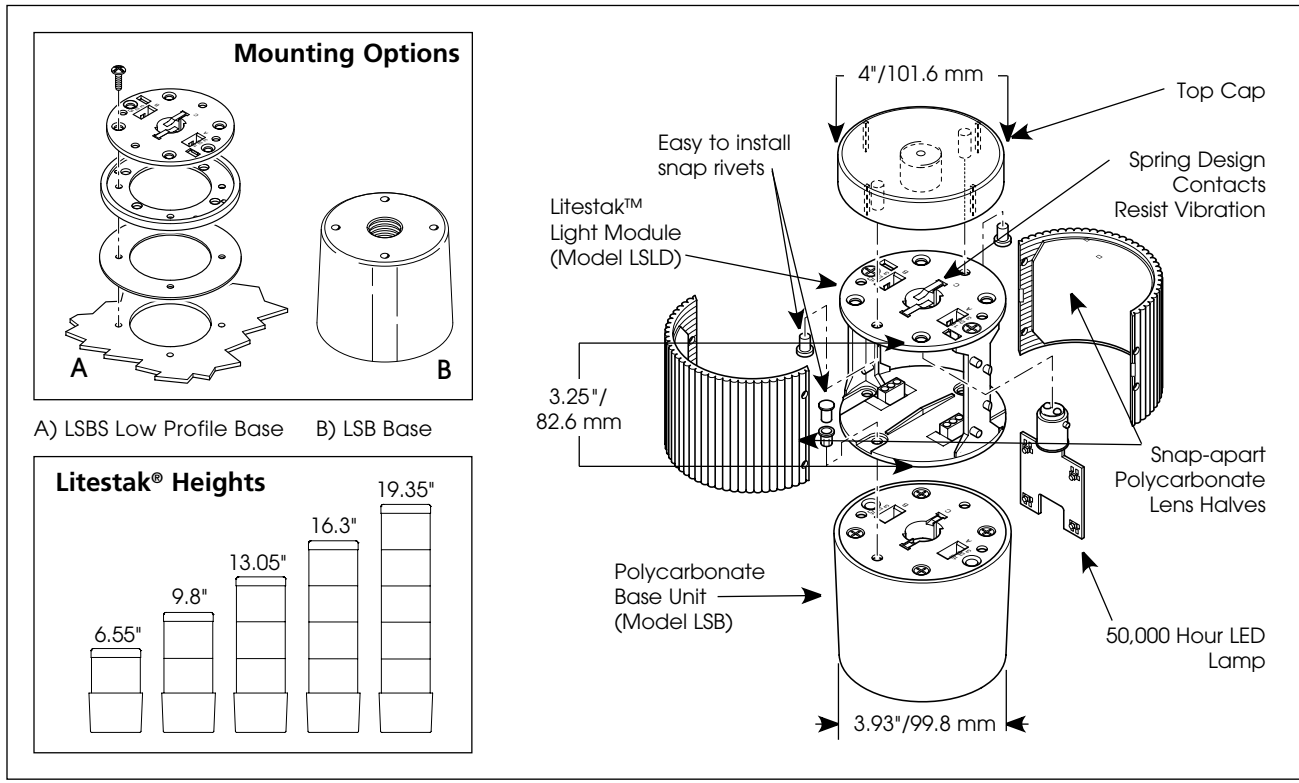
- Available in 24VDC and 120VAC
- 50,000 hour, vibration-resistant LED lamp
- Surface mount and integrated 3/4-inch NPT pipe mount
- Five lens colors: Amber, Blue, Clear, Green and Red
- Indoor use only
- Type 1 enclosure
- CSA Certified
- UL and cUL Listed

MODEL	DESCRIPTION	VOLTAGE	OPERATING CURRENT	MOUNT
<b>LSB-024-240<sup>1</sup></b>	Base	24-240VAC/DC	N/A	3/4" NPT Pipe/Surface
<b>LSB-120<sup>1</sup></b>	Base	120VAC 50/60Hz	N/A	3/4" NPT Pipe/Surface
<b>LSBS<sup>1</sup></b>	Base	24-240VAC/DC	N/A	Surface
<b>LSLD-024<sup>2*</sup></b>	Light Module	24VDC	80 mA**	N/A
<b>LSLD-120<sup>2*</sup></b>	Light Module	120VAC 50/60Hz	45 mA**	N/A

\* Indicates color: (A) Amber, (B) Blue, (C) Clear, (G) Green or (R) Red

\*\* Operating current listed is for one module. For multiple modules, the current will have to be added together throughout the configuration to get the total operating current.

# Litestak® LED Status Indicator (LSLD)



## SPECIFICATIONS

Lamp Life:	50,000 Hours		
Light Source:	LED		
Operating Temperature:	0°F to 120°F	-18°C to 49°C	
Net Weight	LSLD:	0.45 lbs	0.2 kg
	LSB	0.75 lbs	0.3 kg
Shipping Weight	LSLD:	0.7 lbs	0.32 kg
	LSB	1.0 lbs	0.4 kg
Height:	LSLD	3.25"	82.6 mm
	LSB	3.25"	82.6 mm
Diameter:	LSLD	3.93"	99.82 mm
	LSB	3.93"	99.82 mm

## REPLACEMENT PARTS

Description	Part Number
Litestak Lens Kit <sup>1</sup>	K844700352A
Flasher, 24VDC	K8285237A
Flasher, 120VAC	K8285239A
LED Lamp 24VDC, Amber	K8107199A
LED Lamp 24VDC, Blue	K8107199A-03
LED Lamp 24VDC, Clear	K8107199A-04
LED Lamp 24VDC, Green	K8107199A-02
LED Lamp 24VDC, Red	K8107199A-01
LED Lamp 120VAC, Amber	K8107200A
LED Lamp 120VAC, Blue	K8107200A-03
LED Lamp 120VAC, Clear	K8107200A-04
LED Lamp 120VAC, Green	K8107200A-02
LED Lamp 120VAC, Red	K8107200A-01

<sup>1</sup> Includes 1 each of lens: Amber, Blue, Clear, Green and Red  
(Does not include blackout 1/2 lens, snap rivets and cap)

## HOW TO ORDER

