



► Model MSL

# MicroStat® Status Indicator

Federal Signal's MicroStat® is a compact, Type 4X status indicator, Type 1 with optional sounder. Ideal for OEM applications, the MicroStat comes pre-assembled as 1-, 2-, 3-, 4-, or 5-high light units. The user selects combinations from five colors: Amber, Blue, Clear, Green and Red. O-rings between each segment provide a water-tight and dust-tight seal. The base of each light can be surface or pipe mounted (3/4-inch NPT).

The lenses lock together and snap apart with a simple twisting motion, allowing for easy lamp changes and quick lens resequencing. A rugged vibration-resistant, thick-filament wedge lamp fills each lens with light, providing excellent optical performance.

Wire connections are made through a 2-piece terminal block. The MicroStat is designed to work with PLC outputs including "Triacs".

An optional sound module can be installed in the top position of any MicroStat as one of the 5 units. The Sound Module Kit (MSS—See page 40 for details) consists of a slotted grille and board-mounted piezoelectric horn. The sounder plugs directly into the wedge socket.

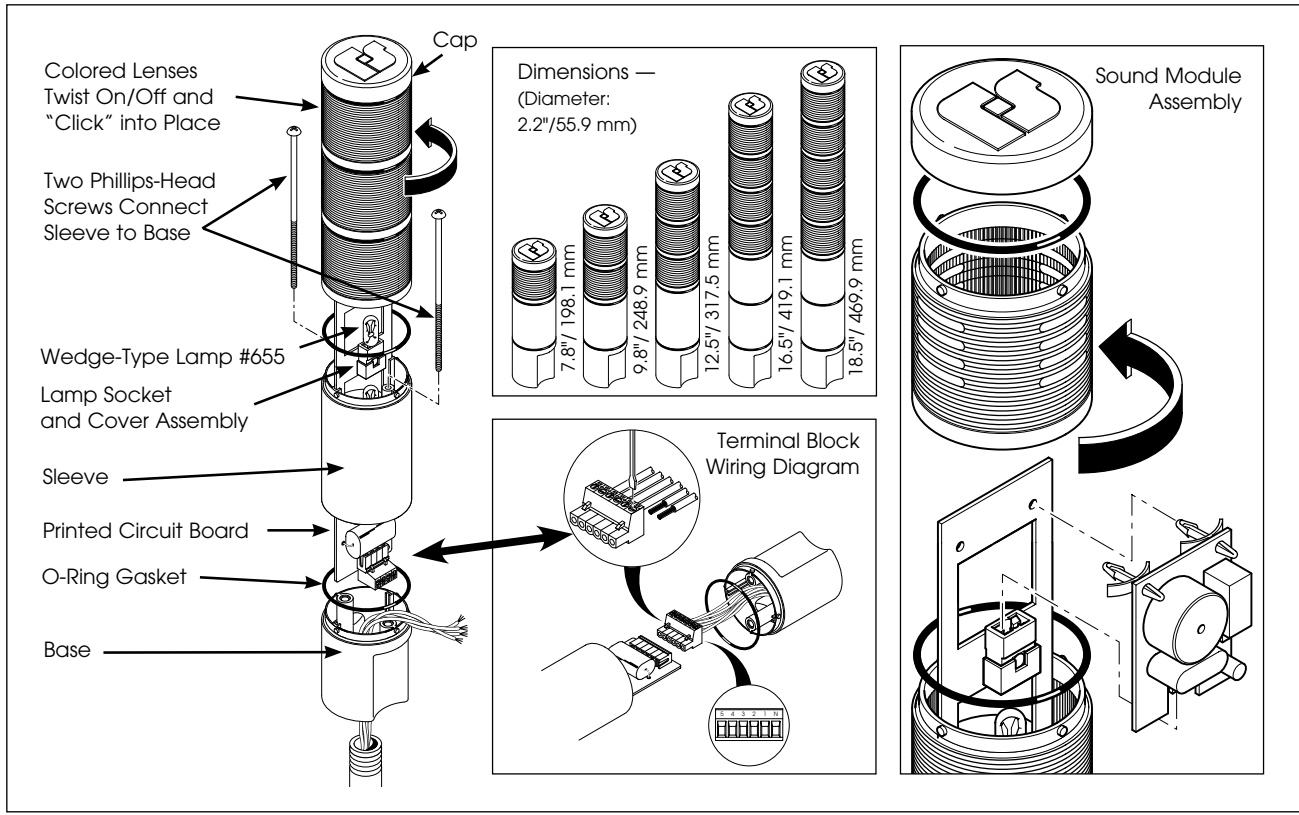
## FEATURES

- Available in 24VAC/DC or 120VAC
- Factory assembled
- Small footprint – only 2.2" diameter (55.9 mm)
- Surface mount and integrated 3/4-inch NPT pipe mount
- Five lens colors: Amber, Blue, Clear, Green and Red
- Optional 50,000-hour LED lamp
- Optional sound module (MSS), pipe mount base and flasher
- Sounder produces 93-95 dBA @ 1m (83-85 dBA@ 10')
- PLC compatible
- Indoor use only
- Type 4X enclosure<sup>1</sup>
- UL and cUL Listed

MODEL	DESCRIPTION	VOLTAGE	OPERATING CURRENT
<b>MSL1</b>	One status segment	24VAC/DC, 120VAC	0.2 amps
<b>MSL2</b>	Two status segments	24VAC/DC, 120VAC	0.4 amps
<b>MSL3</b>	Three status segments	24VAC/DC, 120VAC	0.6 amps
<b>MSL4</b>	Four status segments	24VAC/DC, 120VAC	0.8 amps
<b>MSL5</b>	Five status segments	24VAC/DC, 120VAC	1.0 amps

<sup>1</sup> MSL with optional sounder rated NEMA Type 1

# MicroStat® Status Indicator (MSL)



## SPECIFICATIONS

Lamp Life:	7,000 Hours		
Light Source:	Wedge-Type Lamp #655		
Operating Temperature:	32°F to 104°F	0°C to 40°C	
Net Weight:	1-high	0.4 lbs	0.18 kg
	2-high	0.55 lbs	0.25 kg
	3-high	0.65 lbs	0.29 kg
	4-high	0.85 lbs	0.39 kg
	5-high	1.0 lbs	0.45 kg
Shipping Weight:	1-high	0.7 lbs	0.32 kg
	2-high	0.85 lbs	0.39 kg
	3-high	1.3 lbs	0.59 kg
	4-high	1.5 lbs	0.68 kg
	5-high	1.65 lbs	0.75 kg

## REPLACEMENT PARTS

Description	Part Number
MicroStat – UniStat Hardware Kit <sup>1</sup>	K844700351A
MicroStat – UniStat Connector Kit <sup>2</sup>	K140373A-03
Wedge Lamp (#655), 28V	K8107185A
MSLED Lamp	Please refer to page 32

<sup>1</sup> Includes 1 lens of each color, cap, o-ring, and MicroStat light barrier  
<sup>2</sup> Includes 1 of each terminal block (3, 4 and 6 position)

## HOW TO ORDER

**MSL 1 - 024 A**

<b>TYPE</b> MSL	<b>SEGMENTS</b> Number 1 up to 5	<b>VOLTAGE</b> <b>024</b> (24VAC/DC) <b>120</b> (120VAC)	<b>COLORS (FOR MSL1 &amp; MSL2)*</b> <b>A</b> Amber <b>B</b> Blue <b>C</b> Clear <b>G</b> Green <b>R</b> Red
--------------------	--	--	---

\*MSL3, MSL4 and MSL5 are packaged with one each of the colored lenses  
 MSL1 24VAC/DC not offered in clear

- Determine number of status segments required; one for each light segment and one additional for a sounder (maximum of 5 total)
- Specify Model MSL1, MSL2, MSL3, MSL4, MSL5
- Specify voltage
- Specify colors for MSL1 and MSL2 (MSL3, MSL4 and MSL5 are packaged with one each of the colored lenses)
- Specify accessories from pages 40 and 41