



► Models USI and USIS

UniStat® LED Status Indicators

The UniStat® is a LED, multi-color, single-high status indicator.

This status indicator can produce either three colors (Amber, Green and Red) or four colors (Amber, Blue, Green and Red) from a single light source.

The UniStat offers a choice of four integrated flash patterns – steady burn, slow flash, strobe flash and SimuStrobe®. SimuStrobe simulates the attention-getting flash rate of a strobe light but with a much more color-rich output. The user can choose a total of 12 possible flash/color combinations in the tri-color models and 16 in the quad-color models.

When the application calls for an increased sense of urgency, specify model USIS with an integrated piezo sounder. Producing 60 dBa @ 10 feet, the USIS is the ideal attention getter in process control applications.

Each model arrives pre-assembled and ready to surface mount or 3/4-inch NPT pipe mount. Options for the UniStat include pipe mount extensions (4", 16", and 32"), a wall mount bracket and a tulip mount base.

FEATURES

- Available in 24VDC and 120VAC
- Tri- or quad-color models
- 50,000 hour, vibration-resistant LED light source
- Available with built-in sounder
- Surface mount and integrated 3/4-inch NPT pipe mount
- PLC compatible
- Indoor use only
- Type 4X, IP66 enclosure
- Type 1 with sounder, 60 dBa @ 10'
- UL and cUL Listed

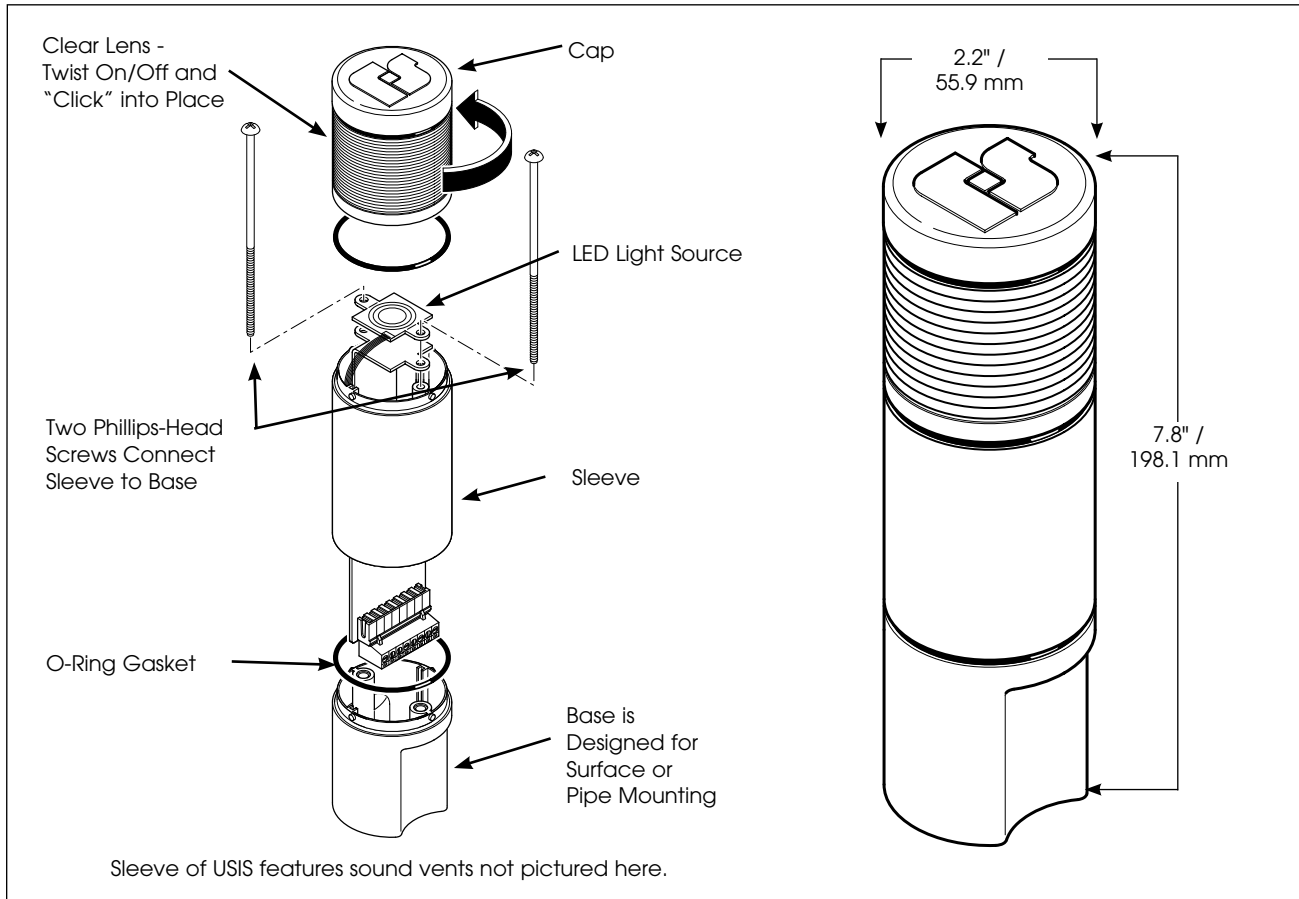
MODEL	DESCRIPTION	VOLTAGE	OPERATING CURRENT	MOUNT	DECIBELS	
					10'	1 M
USI/USIS-024TC¹	Tri-color	24VDC	100 mA ²	3/4" NPT or Surface	60*	70
USI/USIS-120TC¹	Tri-color	120VAC	60 mA ²	3/4" NPT or Surface	60*	70
USI/USIS-024QC¹	Quad-color	24VDC	100 mA ²	3/4" NPT or Surface	60*	70
USI/USIS-120QC¹	Quad-color	120VAC	60 mA ²	3/4" NPT or Surface	60*	70

¹ USIS indicates built-in sounder

² Sounder draws 100 mA on all models

* dBa is only for the USIS model

UniStat® LED Status Indicators (USI and USIS)



SPECIFICATIONS

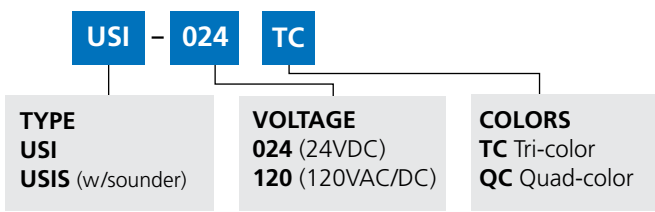
Lamp Life:	50,000 Hours	
Light Source:	LED	
Operating Temperature:	32°F to 104°F	0°C to 40°C
Net Weight:	0.4 lbs	0.18 kg
Shipping Weight:	0.7 lbs	0.32 kg
Height:	7.8"	198.1 mm
Diameter:	2.2"	55.9 mm

REPLACEMENT PARTS

Description	Part Number
MicroStat–UniStat Hardware Kit ¹	K844700351A
LED Array, Tri-color	K2005328A
LED Array, Quad-color	K2005328A-01

¹ Includes 1 clear lens, cap, o-ring, and light barrier

HOW TO ORDER



Mounting options are available. Reference pages 40 and 41 for details.